

VW MULTIVAN T5 / T6

No.: 5845.1/6 Differential

Year: 2003-2010; 2010-2015; 2015-

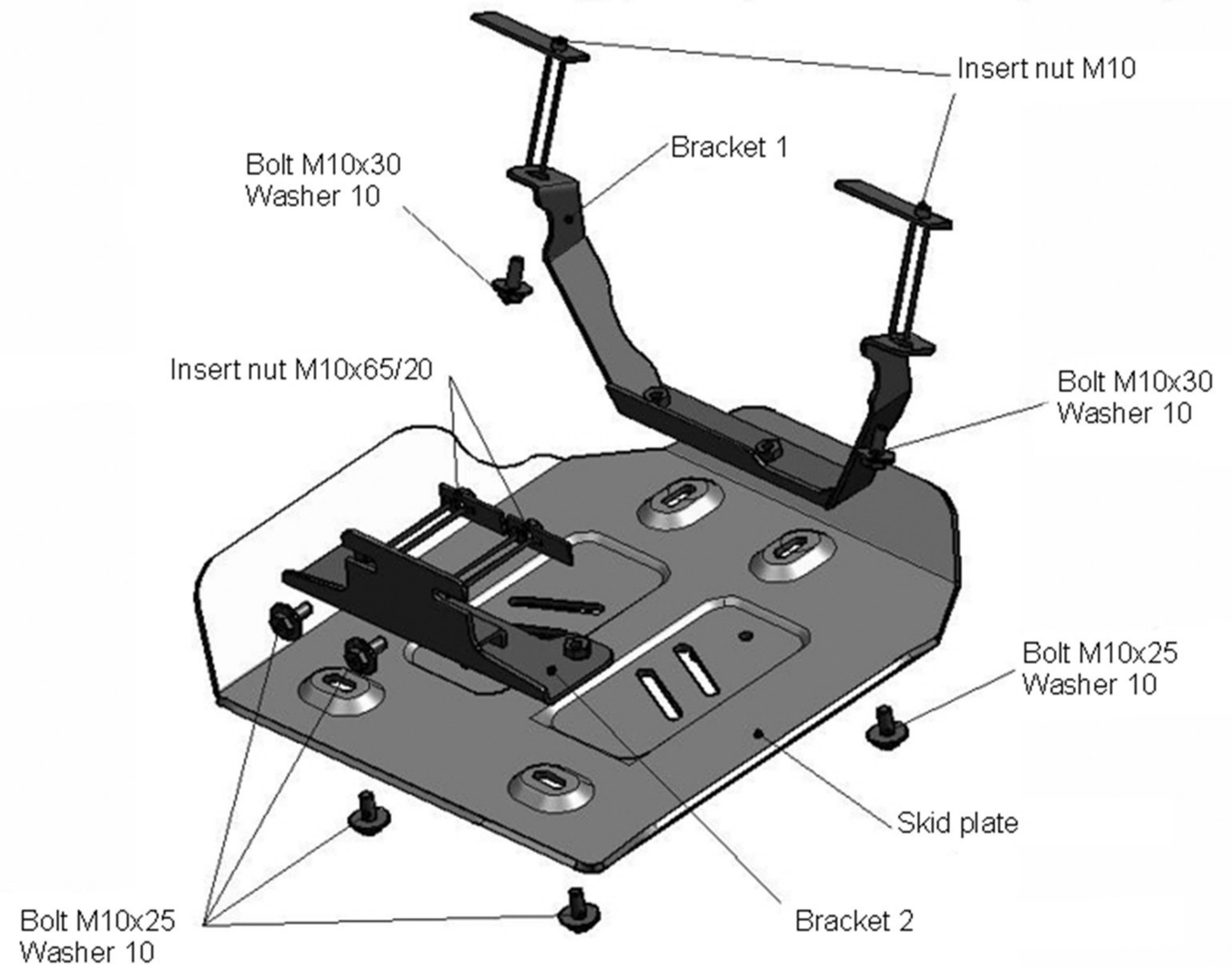
Engine: 2.0 TDI

Transmission: AT

FITTING KIT

1. Bolt M10x25.....	8 pc
2. Washer 10.....	8 pc
3. Insert nut M10x65/20.....	2 pc
4. Insert nut M10.....	2 pc
5. Bracket 1.....	1 pc
6. Bracket 2.....	1 pc

*For more info about compatibility with other models please see the sticker on the skid plate



INSTALLATION INSTRUCTIONS

1. Place insert nuts M10 over apertures in body of the vehicle near front end of differential, then fix bracket 1 to them with bolts M10x25.
2. Place insert nuts M10x65/20 into apertures of differential underframe, then fix brackets 2 to them with bolts M10x25.
3. Fix differential skid plate to mounted brackets with bolts M10x25.
4. Tighten all screws (50 Nm for M10, 30 Nm for M8, 10 Nm for M6). Do not use pneumatic or power tools to tighten.



WWW.RIVAL4X4.COM