

INSTALLATION MANUAL

PRODUCT: REAR BUMPER

MODEL: ISUZU D-MAX 3RD GEN (2021 - PRESENT)

PART NO: 2D.9107.1-NL



CAUTION!

To reduce the risk of serious injury or damage, please read and understand all instructions and procedures before attempting to install or use this product. Safety glasses must be worn at all times during installation or maintenance of this product. Ensure all mounting bolts are tensioned after 400 km (250 miles) and periodically thereafter.

NOTICE

Whilst the bumper adds additional protection to your vehicle, precautionary measures still need to be taken to avoid damage. Always drive to the conditions and your surroundings.

REAR BUMPER



Part number 2D.9107.1-NL

Suited to vehicle: ISUZU D-MAX 3RD GEN (2021 - PRESENT)

Material: Aluminum / Steel



SAFETY NOTICE

- * The Bumper is designed to compliment the use and design of the specified vehicle under conditions specified by the vehicle manufacturer.
- * While driving the vehicle at any speed, collision with any other vehicle, animal or object must always be avoided.
- * Following any collision with any other vehicle, animal or object, Bumper and the vehicle must be inspected by a specialized or suitably qualified vehicle repairer for possible damage to the components and assemblies in order to confirm suitability for further use of the vehicle.
- * It is strongly recommended that you do not operate a vehicle with a damaged bumper or its components. In the case of damage, please contact the nearest Rival authorised stocklist.
- * The operation of a vehicle where the bumper is not properly attached and fastened to the vehicle, or where the bumper has been damaged, is extremely dangerous and must be avoided at all cost.
- * It is recommended that you carry out regular inspections of all the bumper elements such as all bolts, wires, connectors.

INSTALLATION NOTICE

- * The Bumper must be mounted and affixed to the vehicle according to the installation manual provided by an authorized Rival dealer or Motor dealer or by a special vehicle repairer or fitment center.
- * Estimated time for installation: 2 hours.
- * Personal safety during the installation process must be adhered to at all times and the use of personal safety equipment is highly recommended.
- * Do not install this bumper on vehicle models other than those allowed in this manual.
- * Check state and local highway safety laws regarding permitted bumper types and heights.

REQUIRED TOOLS

- * Basic tool kit
- * Torque wrench
- * Crosspoint and flat head screwdriver

TORQUE SETTING

- * M6 - 9 Nm,
- * M10 - 30 Nm,
- * M12 - 77 Nm

*RECOVERY POINTS



WARNING

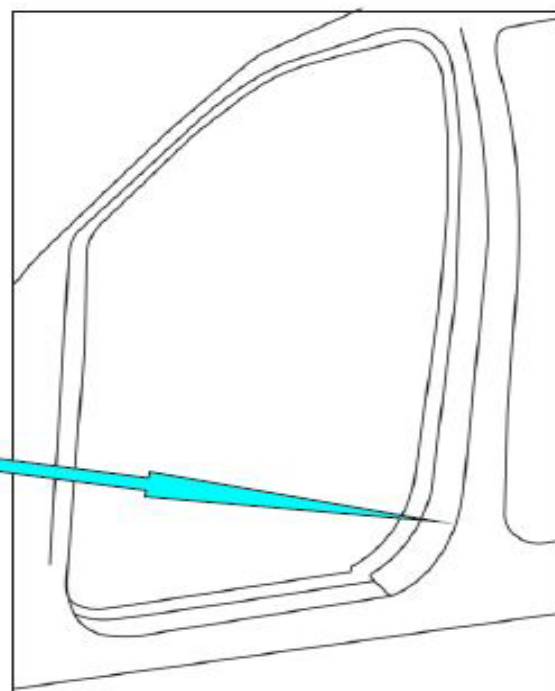
Do not exceed the Working Load Limit of these recovery points or shackle.

INSPECTION AND SAFETY

Recovery of stuck vehicles can be dangerous. Always inspect the shackle and recovery points before each use. Do not use if there are visible signs of damage or wear including cracking (or elongation). Always stay a safe distance away from the recovery area - at least 1.5 times the length of the recovery strap. Incorrect use of receivers equipment can result in serious injury or death.

Always use recovery points as a matched pair teamed with an equalising bridle during any recovery situation.

Please attach this "Warning" label to the door aperture.



*TOW BAR INSTALLATION

The bumper design provides for installation of the American-style tow bar – square 2 (50.8 mm).

Maximum allowable vertical static load on the tow bar should be not more than 350 kg.

Maximum towing capacity:

Unbraked towing capacity, kg:	Braked towing capacity kg:
750	3500

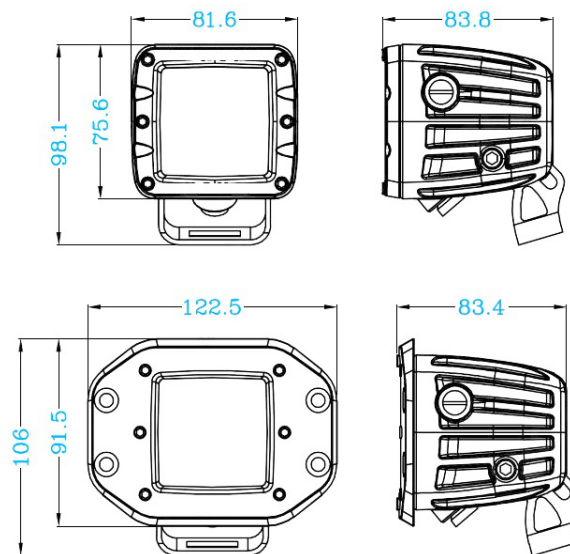
Caution!

Towing of the trailer which is incompliant with specified requirements may result in damage to tow bar or bumper.

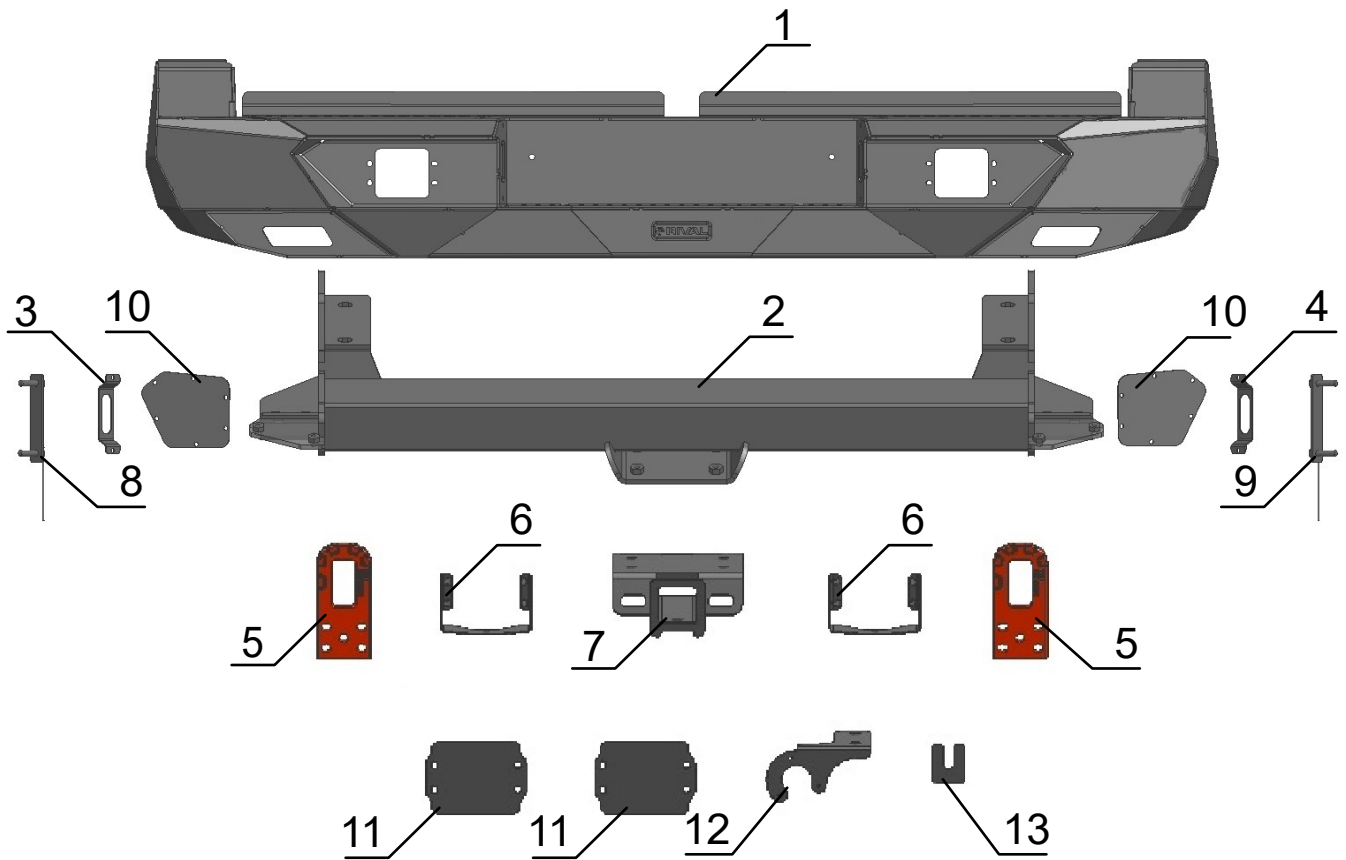
*LIGHTS

The bumper provides for the light mounting points.

Overall dimensions of the lights under installation:

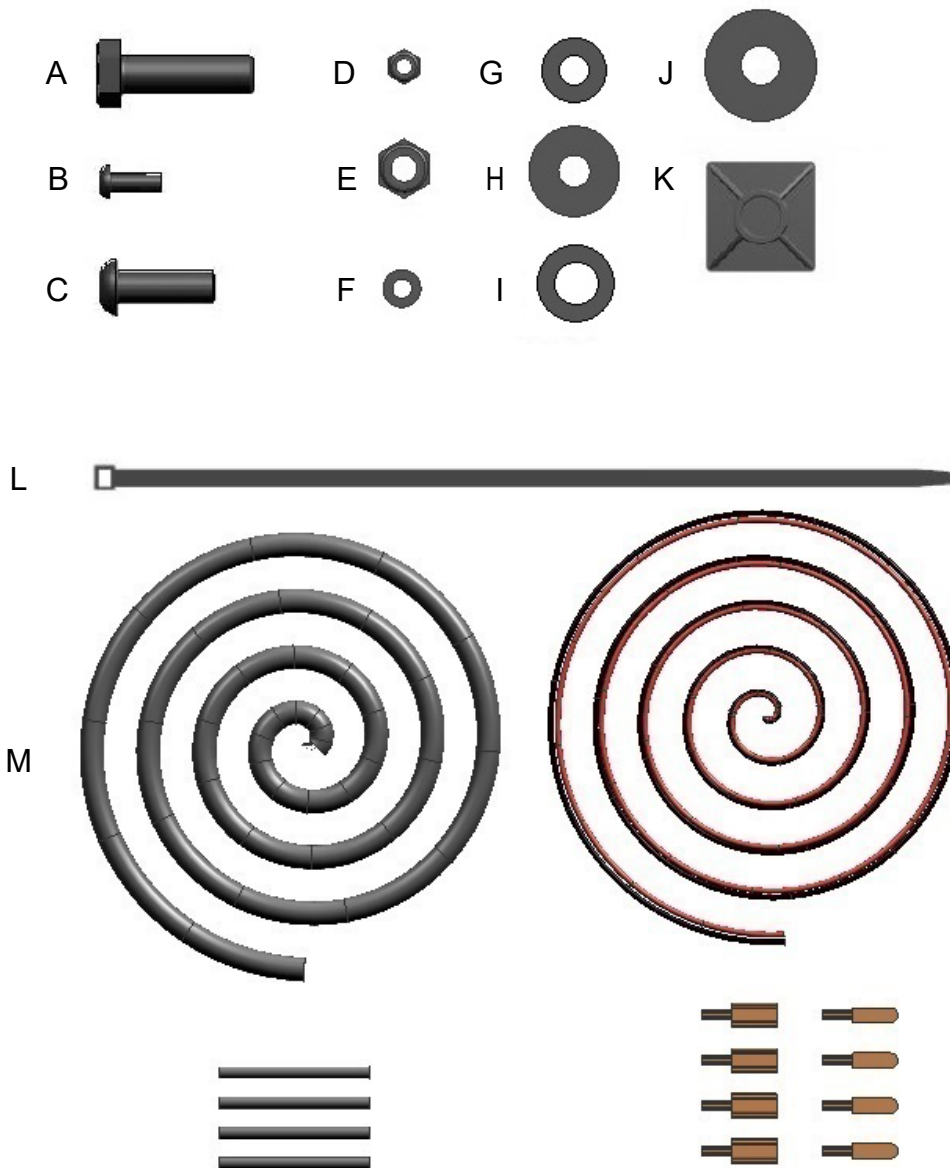


PARTS LISTING



1. Aluminum bumper body.....Qty 1	8. Insert bracket left.....Qty 1
2. BracketQty 1	9. Insert bracket right.....Qty 1
3. Left bracket for license plate light.....Qty 1	10. Radar plug.....Qty 2
4. Right bracket for license plate light.....Qty 1	11. Lamp plug.....Qty 2
5. Recovery points.....Qty 2	12. Tow bar socket bracket.....Qty 1
6. LED bracketQty 2	13. Adjusting plate 2mm.....Qty 8
7. Tow bar square.....Qty 1	

PARTS LISTING



A. Bolt M12x1.25x40 (4 pc. preinstalled, as travel hardware, in bumper bracket (pos. 2) and aluminum bumper body (pos. 1)).....	Qty 16
B. Screw M6x16.....	Qty 24
C. Screw M10x30.....	Qty 4
D. Nut M6.....	Qty 24
E. Nut M10.....	Qty 4
F. Washer 6.....	Qty 48
G. Washer 10.....	Qty 4
H. Washer penny 10.....	Qty 4
I. Washer 12.....	Qty 8
J. Washer penny 12 (4 pc. preinstalled, as travel hardware, in bumper bracket (pos. 2) and aluminum bumper body (pos. 1)).....	Qty 8
K. Cable clips.....	Qty 10
L. Cabletie.....	Qty 10
M. Rear bumper wire extension.....	Qty 1

INSTALLATION PROCEDURE



Before installation: Unscrew bolts M12x1,25x40 (item A) and washers 12 (item J), preinstalled as travel hardware, in bumper bracket (item 2) and aluminum bumper body (item 1). Set aside to reuse later on.



Fig. 1

1. Open the hood. Disconnect terminal “-” from the vehicle battery (Fig. 1).



Fig. 2

2. Remove OE plastic plugs from the bottom of OE bumper, as shown in fig. 2.

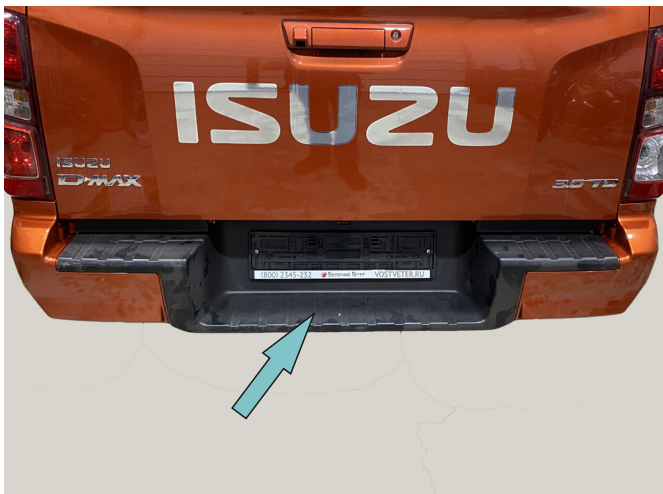


Fig. 3

3. Remove central part of OE bumper, shown in fig. 3 and fig.4.

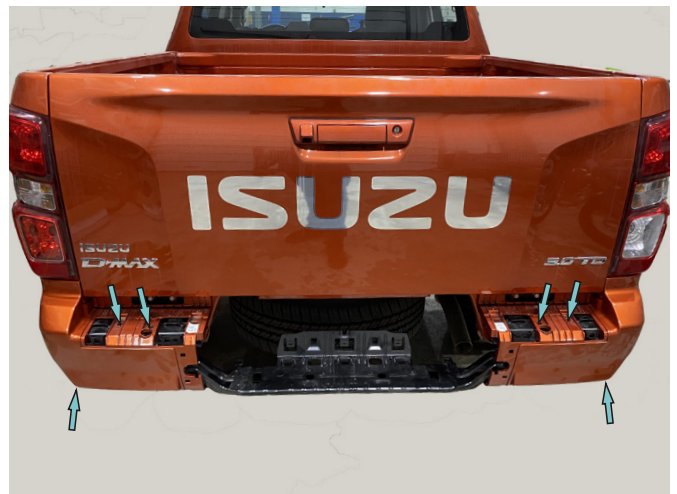


Fig. 4

4. Remove OE plastic plugs on the sides of OE bumper, as shown in fig. 4.



Fig. 5

5. Unscrew OE bolts connecting OE beam. Remove OE beam, as shown in fig. 5.

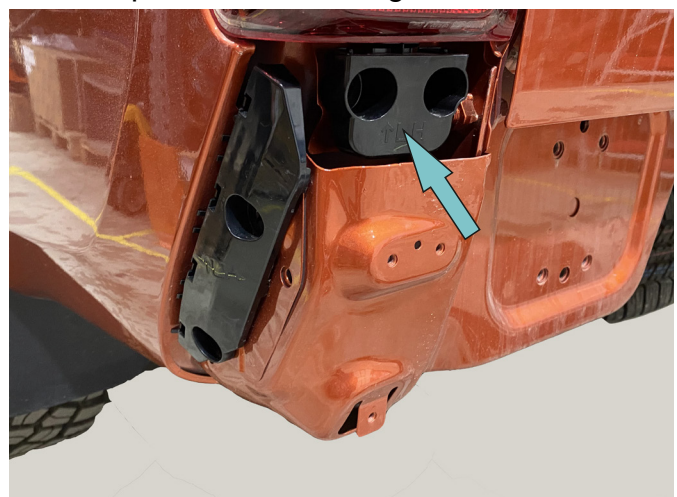


Fig. 6

6. Remove pads under rear lights on the left and right side of the vehicle (Fig. 6).

INSTALLATION PROCEDURE

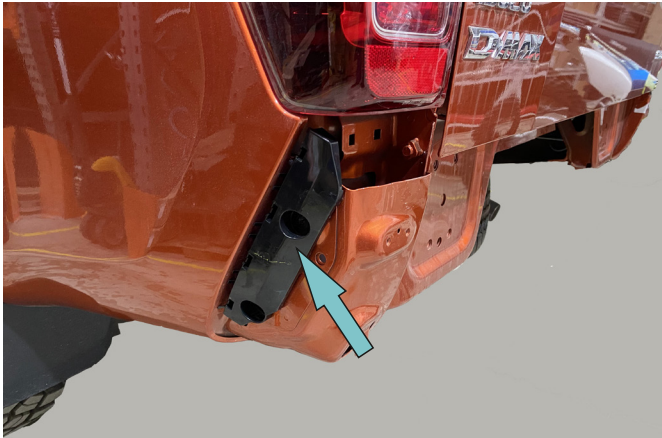


Fig. 7

7. Remove pads from OE rear wings on the left and right side of the vehicle (Fig. 7).

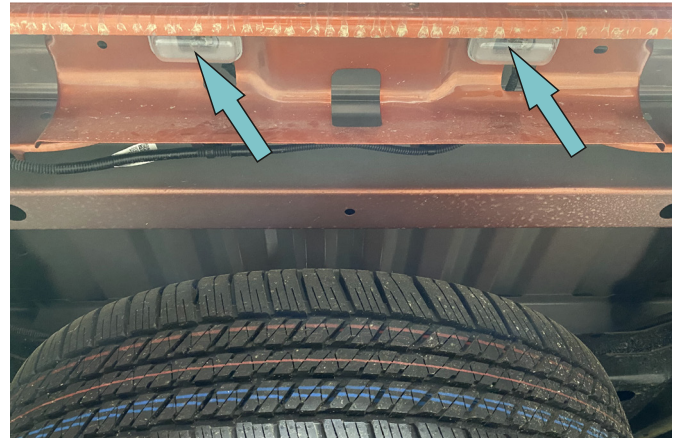


Fig. 8

8. Disconnect LED light of license plate light. Remove license plate light case (Fig. 8).

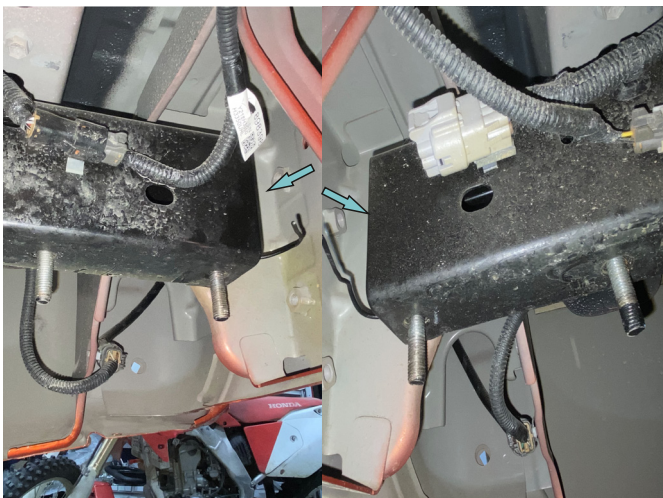


Fig. 9

9. Install insert bracket left (item 8) on driver's side and insert bracket right (item 9) on passenger's side (Fig. 9).



Fig. 10

10. Install bracket (item 2) using nuts M10 and washers 10 (item E, H) (Fig. 10).
***Do not tighten yet.**

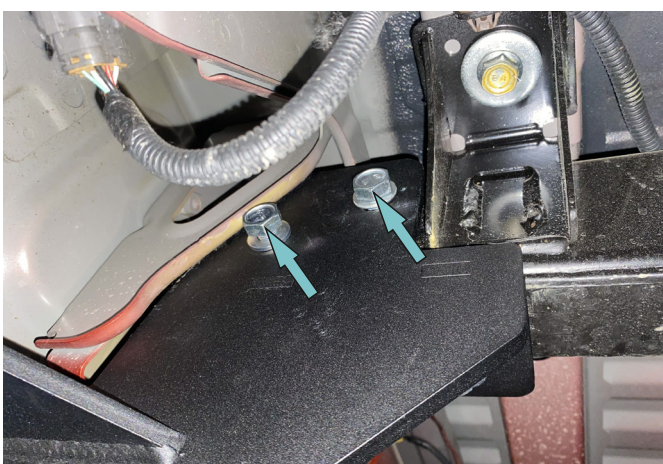


Fig. 11

11. Fix bracket using bolts M12x1.25x40 and washers 12 (item A, J) (Fig. 11).
***Do not tighten yet.**

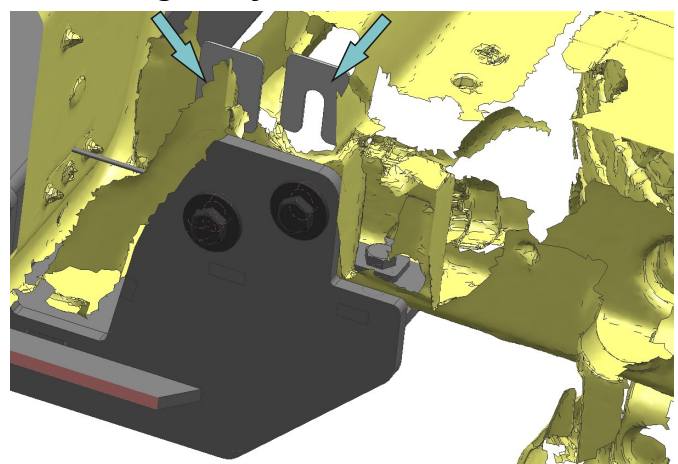


Fig. 12

12. Adjust space between bracket and longeron, if needed, using adjusting plates 2mm (item 13) (Fig. 12).
***Tighten hardware after that.**

INSTALLATION PROCEDURE

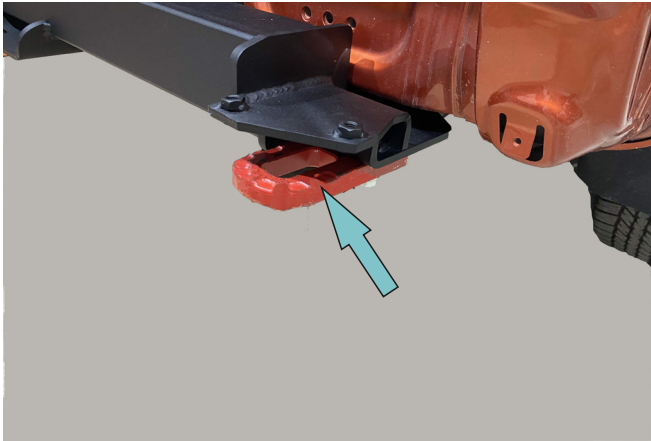


Fig. 13

13. Fix towing hooks (item 5) using bolts M12x1.25x40 and washers 12 (item A, I) (Fig. 13).



Fig. 14

14. Place and fix license plate light cases in brackets (item 3,4) as shown in fig. 14.

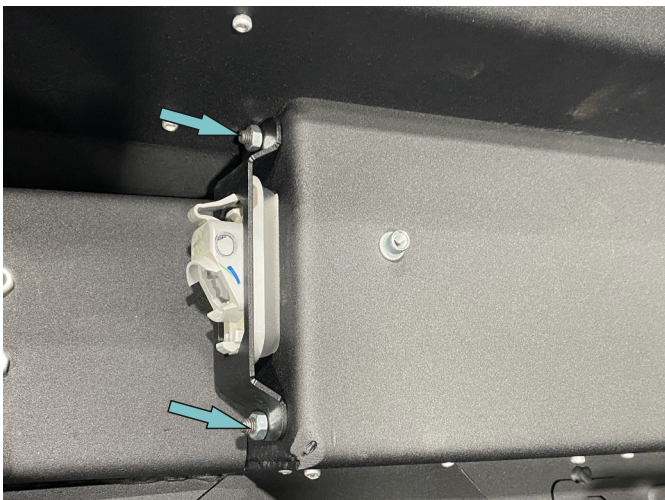


Fig. 15

15. Install license plate light cases into special holes in aluminum bumper body (item 1). Fix brackets (item 3,4) using screws M6x16, washers 6 and nuts M6 (item B, D, F) (Fig.15).
***Tighten hardware after that.**



Fig. 16

16. Extend license plate light wire using rear bumper wire extension (item M) follow instruction in wire extension kit. Fix wire using cable clips and cable tie (item K, L) (Fig.16).

Steps 17-20 (if there are parking sensors).



Fig. 17

17. Remove parking sensors from factory bumper (Fig. 17).

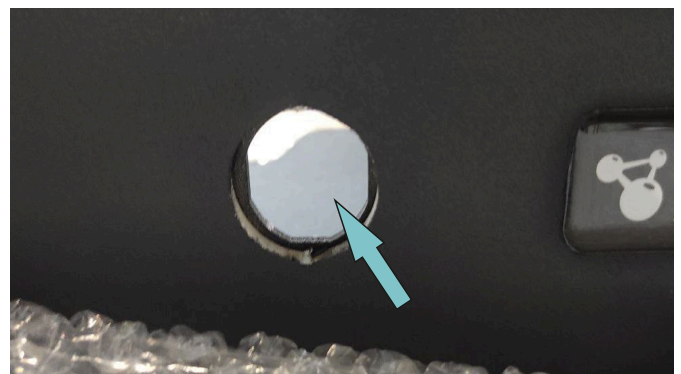


Fig. 18

18. Locate knock-outs for parking sensors on the bumper body (item1) and knock them out by a hammer (Fig.18).



Fig. 19

19. Install OE parking sensors fixators into the bumper body (item 1) (Fig.19).



Fig. 20

20. Put parking sensor in bumper body (Fig. 20).

Steps 21-23 (if there are distance sensors).

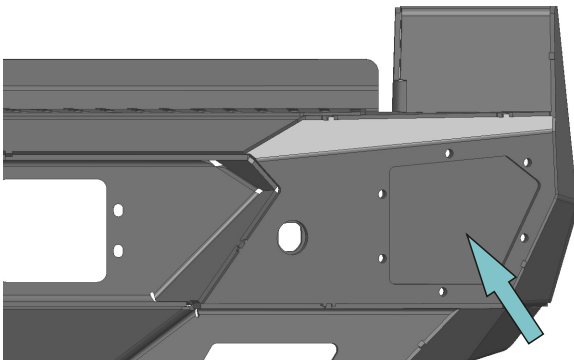


Fig. 21

21. Locate knock-outs for distance sensors on the bumper body (item 1) and knock them out by a hammer (Fig.21).

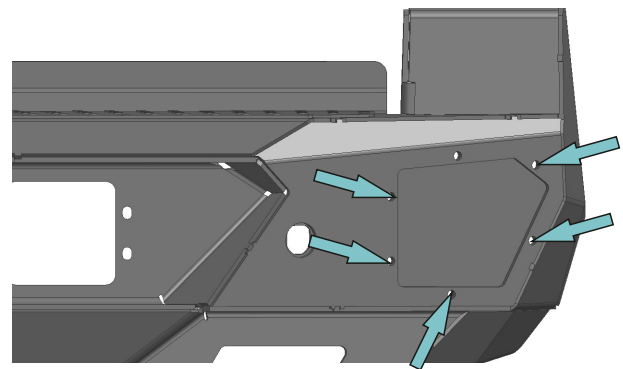


Fig. 22

22. Hammer out knock-outs for installation of radar plugs (item 10) on the bumper body (item 1) (Fig.22).

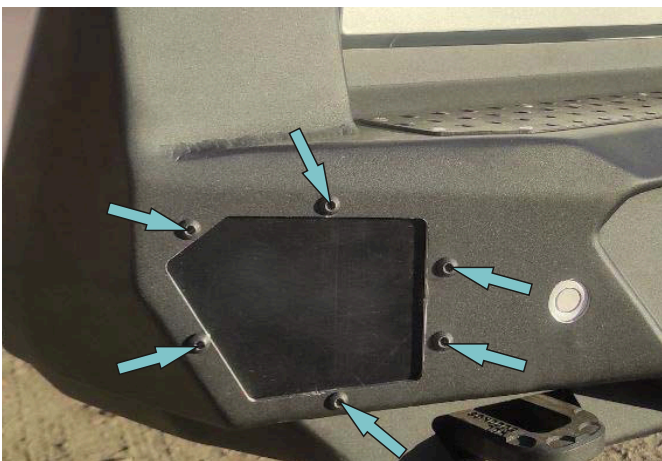


Fig. 23

23. Install radar plugs (item 10) using screws M6x16, washers 6 and nuts M6 (item B, D, F) (Fig.23).

***Tighten hardware after that.**



Fig. 24

24. Fix your aftermarket LED cudic lights to brackets (item 6). Rival flush mount LED lights are installed without the brackets (Rival LED lights purchased separately).

***Tighten hardware after that.**

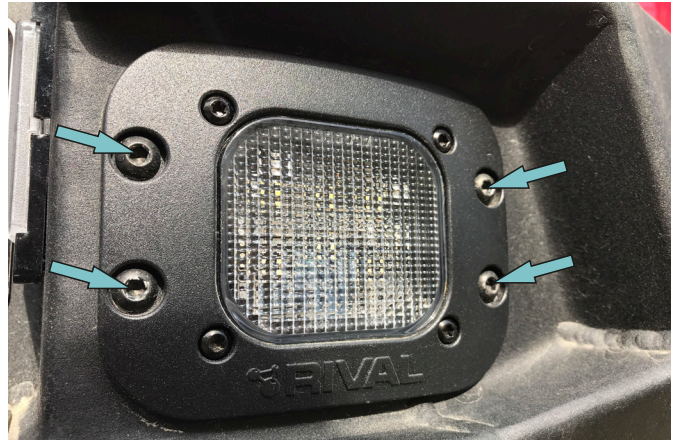


Fig. 25

25. Install LED lights or Lamp plug (item 11), using screws M6x16, washers 6 and nuts M6 (item B, D, F) (Fig.25).

***Tighten hardware after that.**



Fig. 26

26. Install bumper body (item 1) using screws M10x30 and washers 10 (item C, G). Align bumper body on the vehicle (Fig. 26).

***Do not tighten yet.**



Fig. 27

27. Fix tow bar square (item 7) through tow bar socket bracket (item 12) using bolts M12x1.25x40 and washers 12 (item A, J) (Fig.27).



Fig. 28

28. Check all wires. Connect terminal “-” of the battery (Fig. 28).

Before operating a vehicle fitted with a RIVAL Bumper 2D.9107.1-NL:

- make sure all fittings are tightened
- check all electrical wiring attached to lights

