

PRODUCT: GEARBOX SKID PLATE

APPLICATION: DODGE RAM 1500 (2018-Present)
DODGE RAM 1500 TRX (2021-Present)

PART NO: 2333.1505.1.6



CAUTION!

To reduce the risk of serious injury or damage to property: Before you start installing and using this product, read the full instructions, pay special attention to the conditions of safe use and recommendations for installation! When installing or maintaining this product, it is necessary to use protective goggles. Check the integrity of the structure and the moment the fastening is tightened every 250 miles (400 kms) of mileage. Do not use this product if there is damage to the structure or fasteners!

NOTICE

Skid plate is an additional protection, but it can not guarantee to protect against all possible damage in collisions. When driving, be careful of objects and terrain that may damage sensitive parts of the vehicle.

GEARBOX SKID PLATE

RIVAL

Part number: 2333.1505.1.6



Suited to vehicle: Dodge RAM 1500 V-5.7, 5.7 Hybrid, 3.0D; AT; 4WD (2018-Present);
Dodge RAM 1500 TRX V-6.2; AT; 4WD (2021-Present)

Material: Aluminum



SAFETY NOTICE

- * The RIVAL skid plate is designed to complement the use and design of the specified vehicle under conditions specified by the vehicle manufacturer.
- * While driving the vehicle at any speed, collision with any other vehicle, animal or object must always be avoided.
- * Following any collision with any other vehicle, animal or object, the RIVAL skid plate and the vehicle must be inspected by a specialized or suitably qualified vehicle repairer for possible damage to the components and assemblies in order to confirm suitability for further use of the vehicle.
- * It is strongly recommended that you do not operate a vehicle with a damaged skid plate or its components. In the case of damage, please contact the nearest RIVAL dealer. Vehicle, or where the skid plate has been damaged, is extremely dangerous and must be avoided at all cost.

INSTALLATION NOTICE

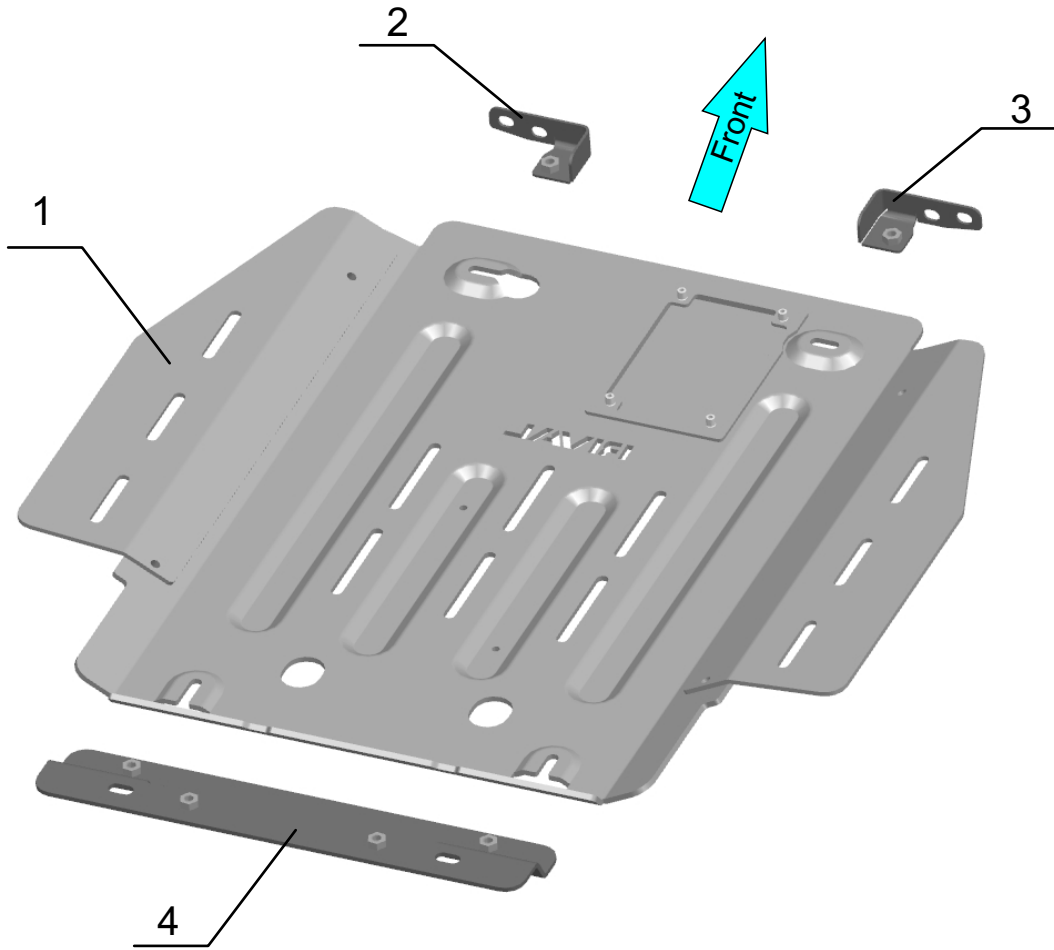
- * The RIVAL skid plate must be mounted and affixed to the vehicle according to this installation manual.
- * Personal safety during the installation process must be adhered to at all times.
- * Do not install this skid plate on vehicle models other than those allowed in this manual.
- * Estimated time for installation: 1 hour.

REQUIRED TOOLS

- * Basic tool kit
- * Torque wrench

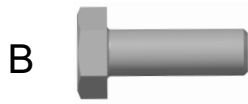
TORQUE SETTING

- * M10 - 47 N·m (34.7 lb/ft)



- 1. Gearbox skid plate.....Qty 1
- 2. Left bracket.....Qty 1
- 3. Right bracket.....Qty 1
- 4. Rear bracket.....Qty 1

PARTS LISTING



- A. Insert nut M10.....Qty 1
- B. Bolt M10x30.....Qty 6 (2 pcs. pre-installed)
- C. Penny washer M10.....Qty 6 (2 pcs. pre-installed)

INSTALLATION PROCEDURE



*If equipped, remove factory skid plate or any other aftermarket skid plate.

*Before installation: Unscrew bolts M10x30 (item B) and penny washers M10 (item C), preinstalled as travel hardware in rear bracket (item 4) and gearbox skid plate (item 1). Set aside to reuse later on.

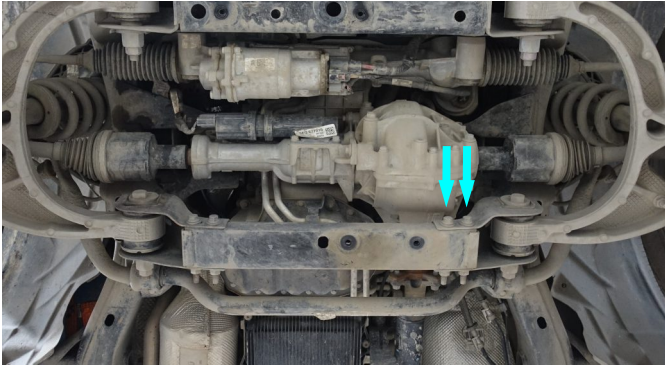


Fig. 1

1. Unscrew two factory bolts from car frame on the left side of the vehicle (fig.1).

*If you have installed RIVAL engine skid plate (2333.1504.1.6), skip steps 1-4.



Fig. 2

2. Install left bracket (item 2) as shown in fig.2 using factory bolts and nuts from step 1.

*Tighten hardware after that.

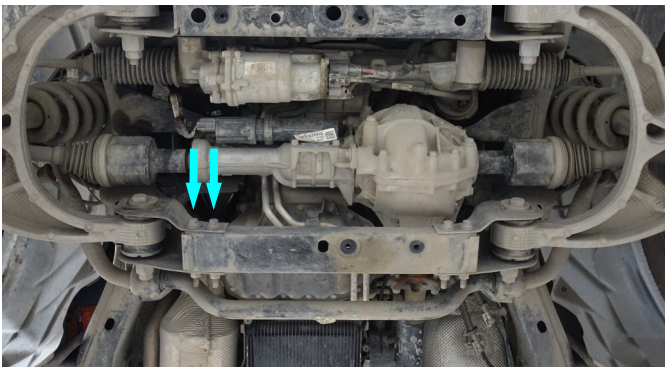


Fig. 3

3. Unscrew two factory bolts from car frame on the right side of the vehicle (fig.3).



Fig. 4

4. Install right bracket (item 3) as shown in fig.4 using factory bolts and nuts from step 3.

*Tighten hardware after that.



Fig. 5

5. Loosely insert supplied bolt M10x30 with penny washer M10 (items B, C) to right bracket (item 3) (fig.5).



Fig. 6

6. Install insert nut 10 (item A) as shown in fig.6.

INSTALLATION PROCEDURE

RIVAL

Dodge RAM 1500 V-5.7, 5.7 Hybrid
Dodge RAM 1500 TRX V-6.2

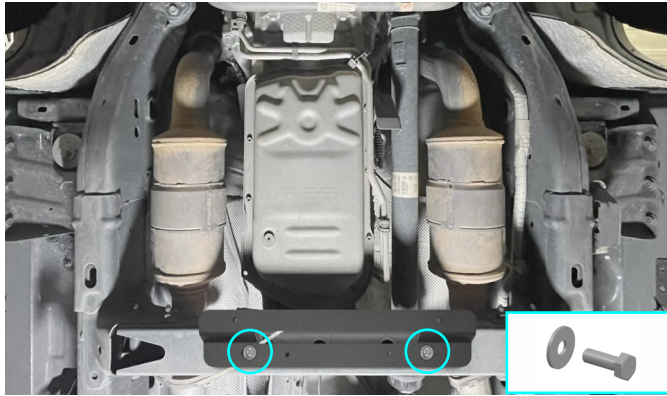


Fig. 7

Dodge RAM 1500 V-3.0D



Fig. 8

7. Install rear bracket (item 4) as shown in fig.7 or 8. After that fix it using bolts M10x30 and penny washers M10 (B, C).

***Tighten hardware after that.**



Fig. 9

8. Slide front part of gearbox skid plate (item 1) under previously installed bolt M10x30 from step 5. After that fix gearbox skid plate (item 1) using bolts M10x30 with penny washers M10 (items B, C) as shown in fig.9.

***Tighten hardware after that.**

Before operating a vehicle fitted with RIVAL Skid Plate:

- make sure all fittings are tightened;
- ensure the integrity of the structure and its components.

