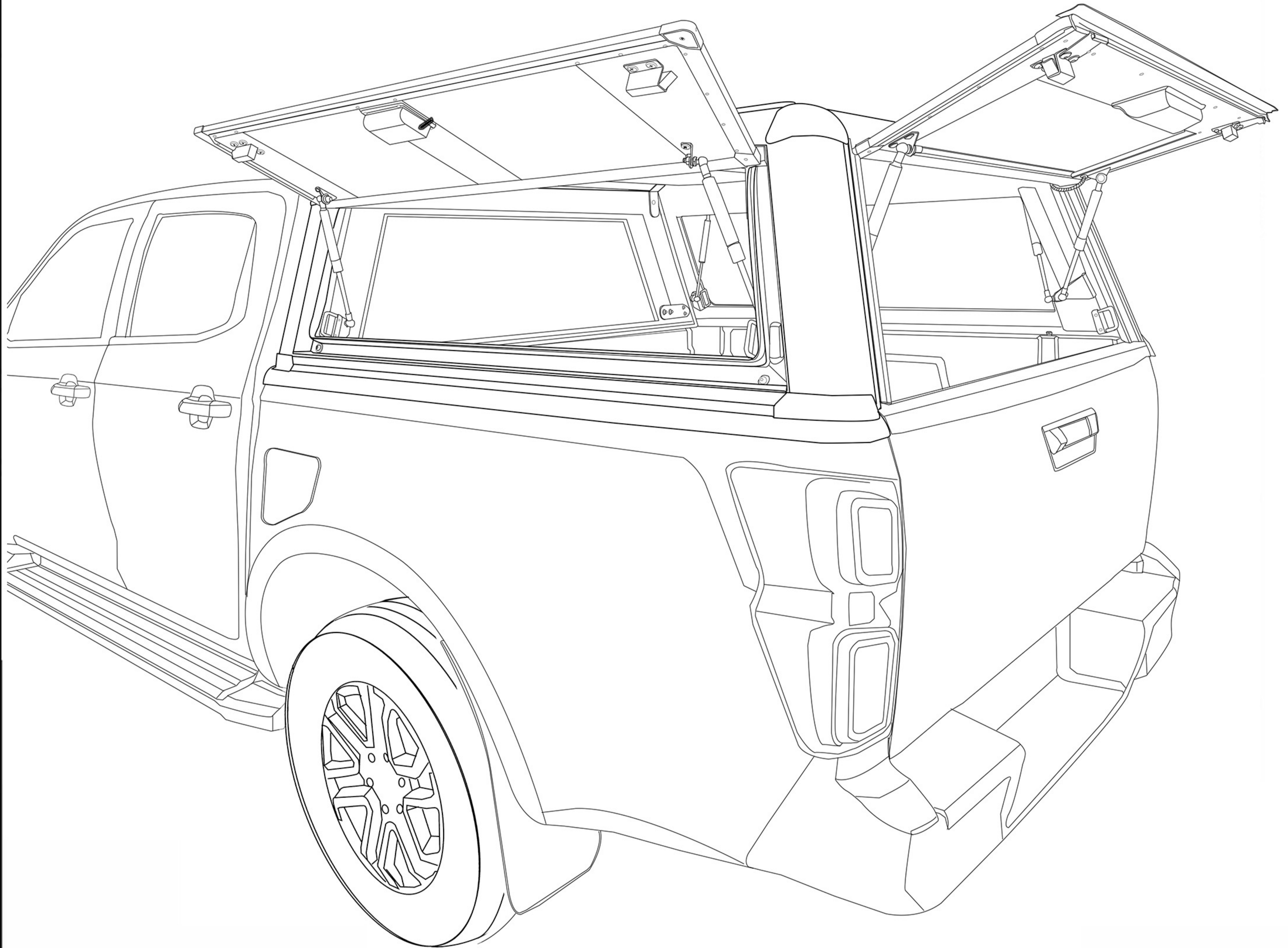


RIVAL

4x4 ACCESSORIES

INSTALLATION

ISUZU D-MAX

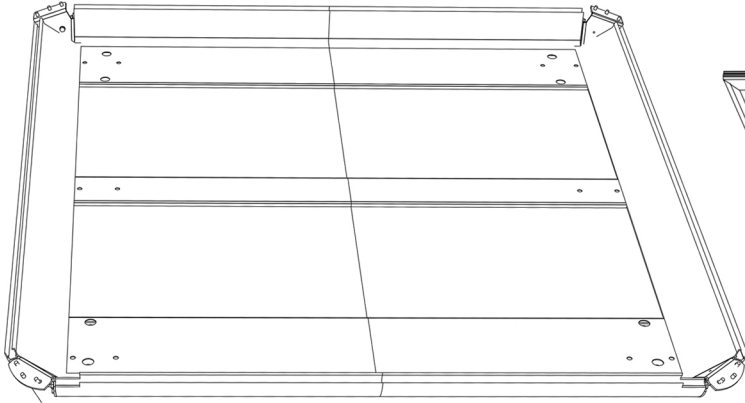


Patent Pending Worldwide

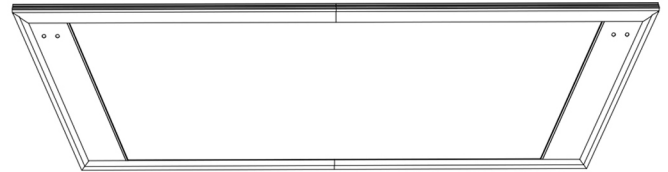
Part list

1st carton

roof panel

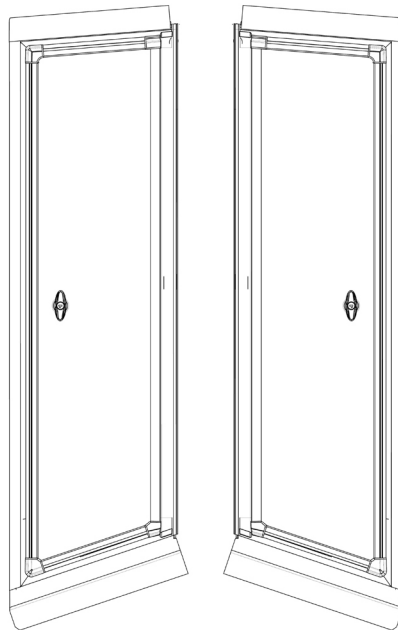


front panel



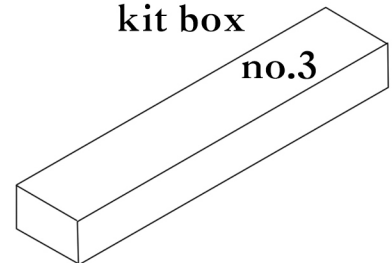
2nd carton

side panel L,R

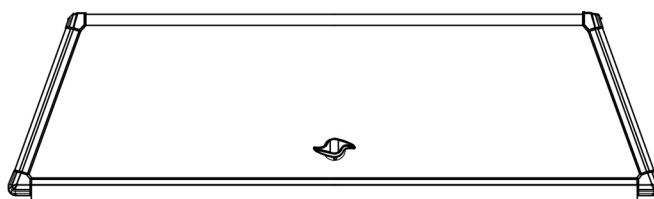


kit box

no.3



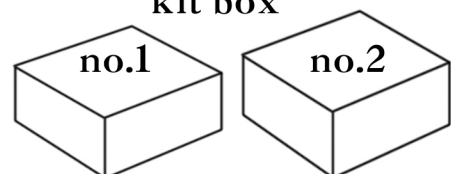
rear door



kit box

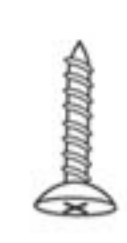
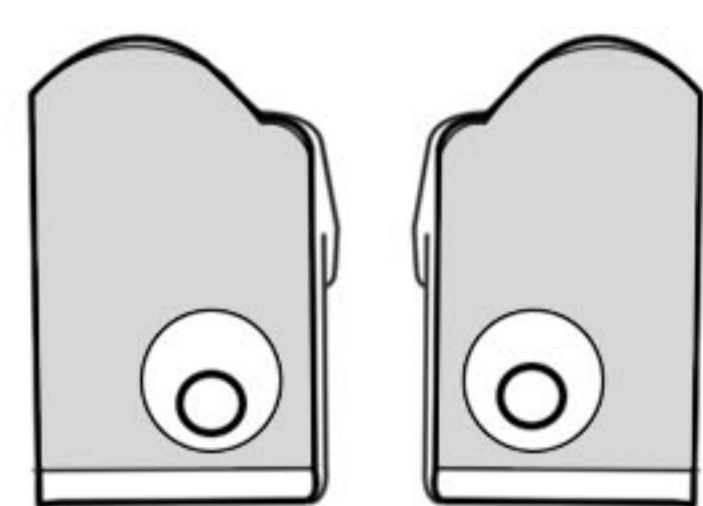
no.1

no.2



KIT BOX NO.1

1. Rear door kit
page 3

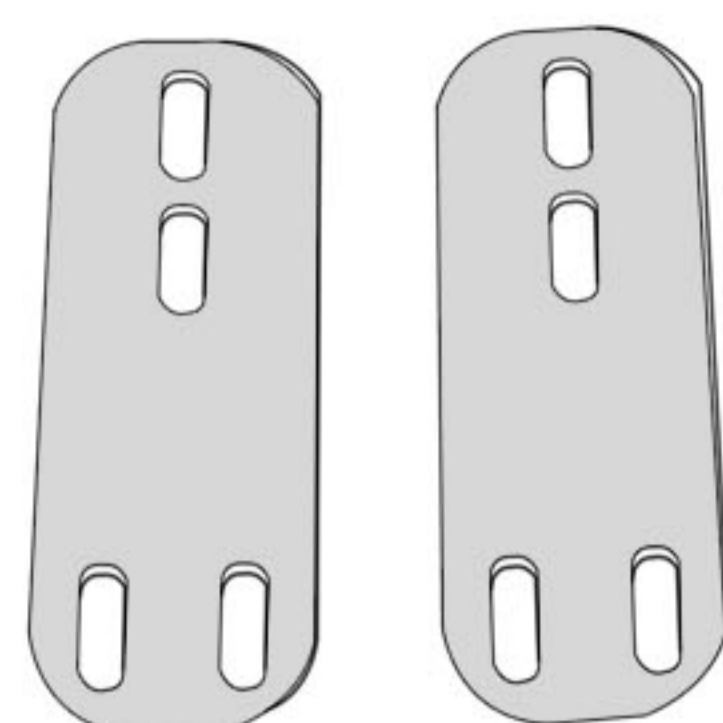


Flat Head Tapping Screw 7x1/2 = 2 pcs.



Pan Head Tapping Screw 6x3/8 = 3 pcs.

2. Front panel bracket
page 5

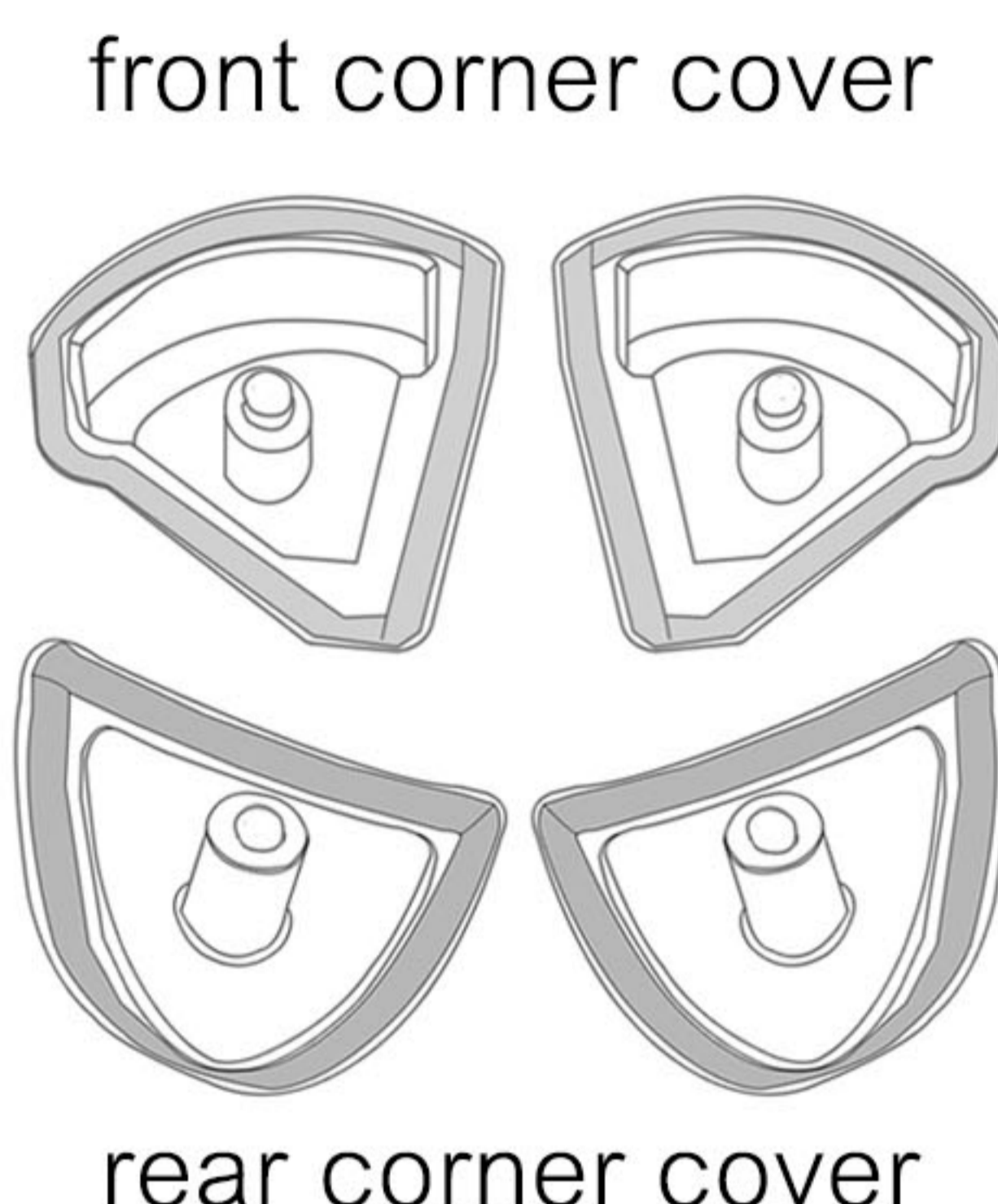


Socket pan head bolt M8x12 = 4 set



Hex bolt M6x15 = 4 set

3. Silicone corner cover
page 7,9



Hex bolt M8x20 grade 8.8 = 8 set



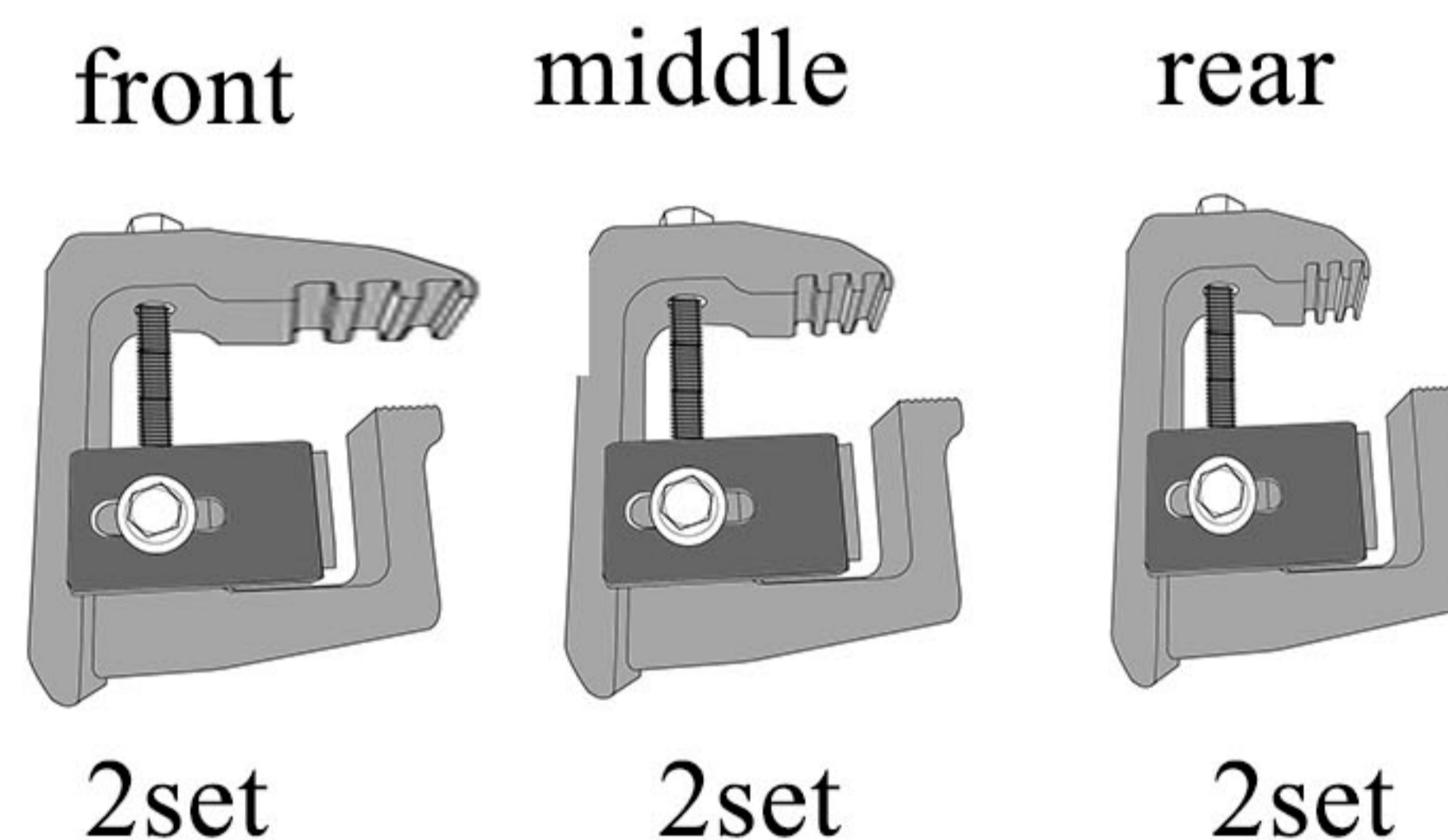
Pan Head Bolt M6x10 = 4 set

4. Key



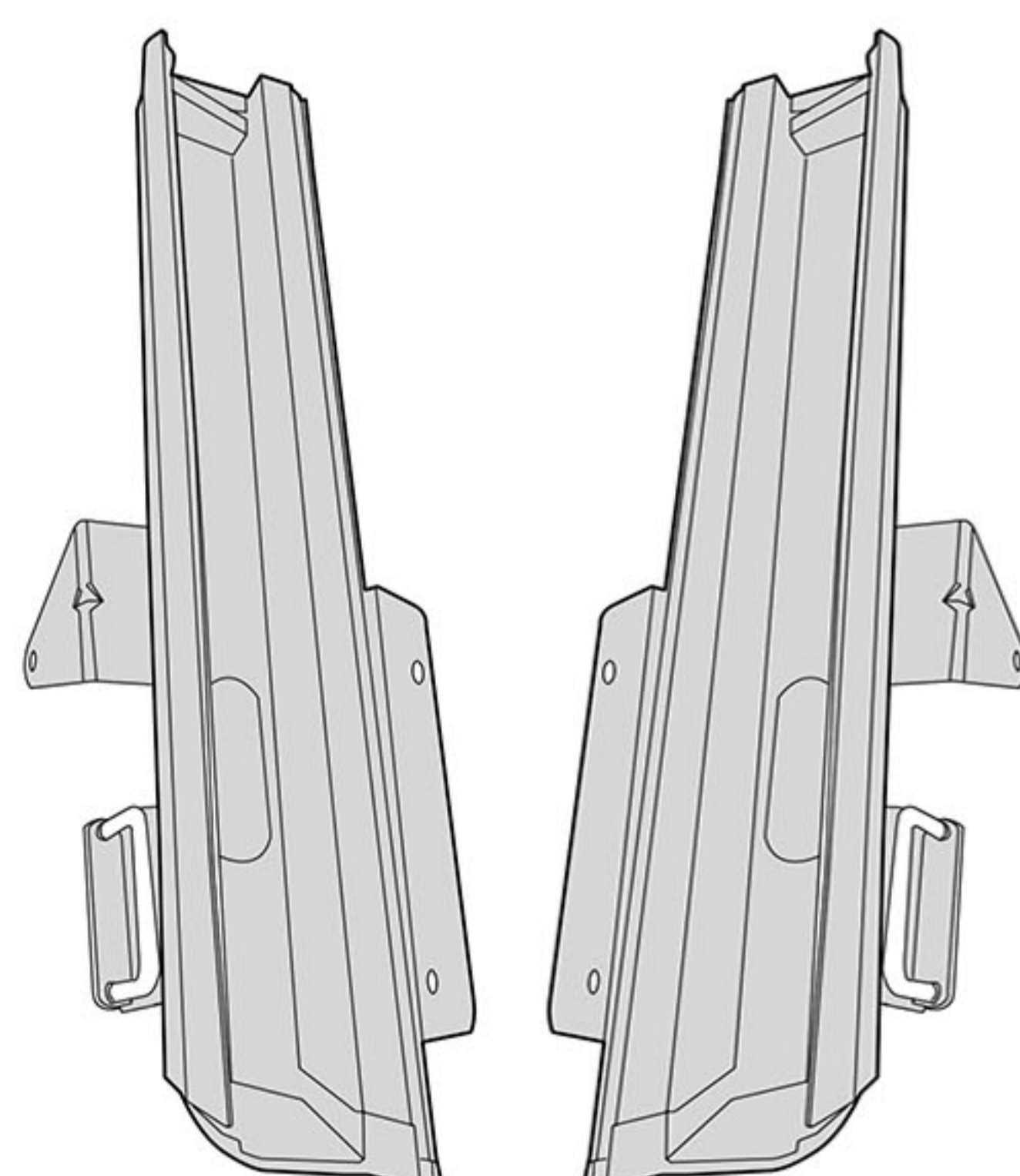
KIT BOX NO.2

1. Clamp page 10



KIT BOX NO.3

1. Water channel
page 8



Hex bolt M8x20 = 4 set



Pan Head Tapping Screw 6x3/8 = 4 pcs.

Plug & Play
page 11



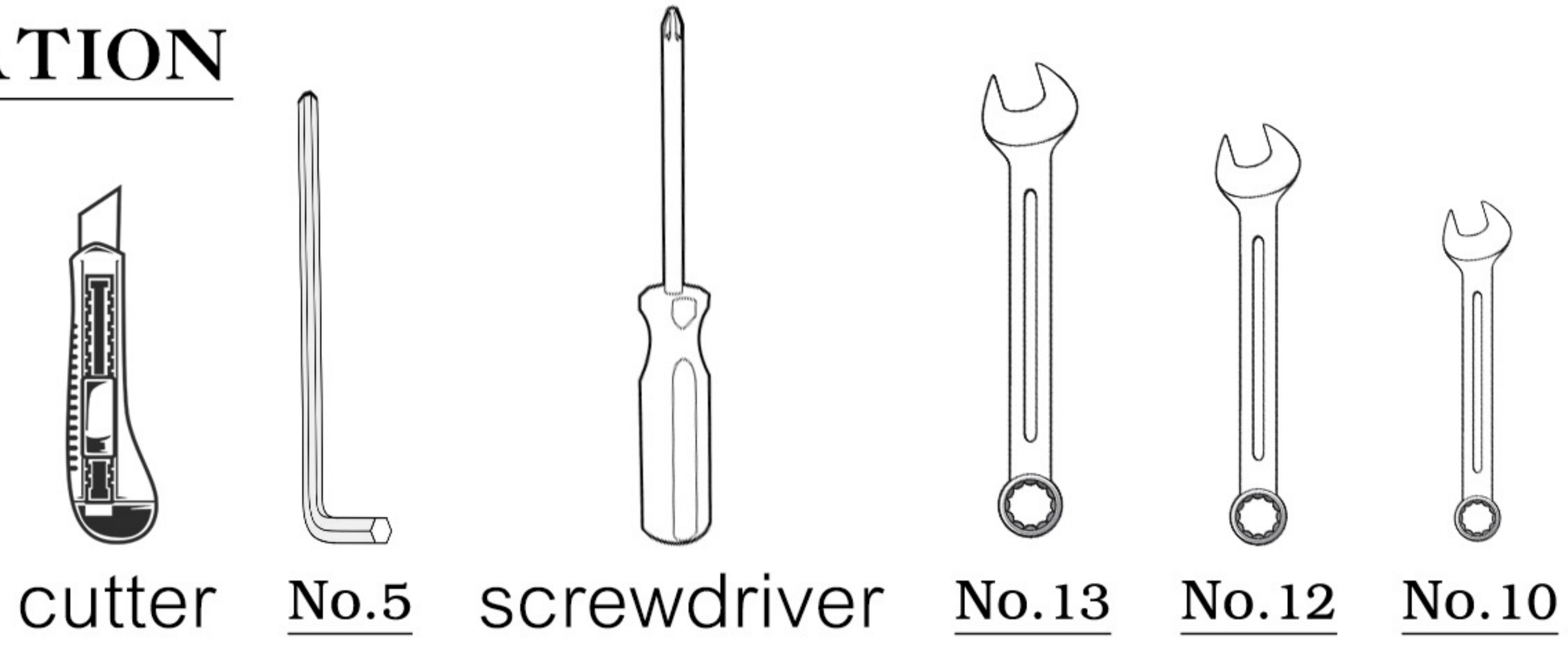
Connect brake light



interior lights wire



TOOL FOR INSTALLATION



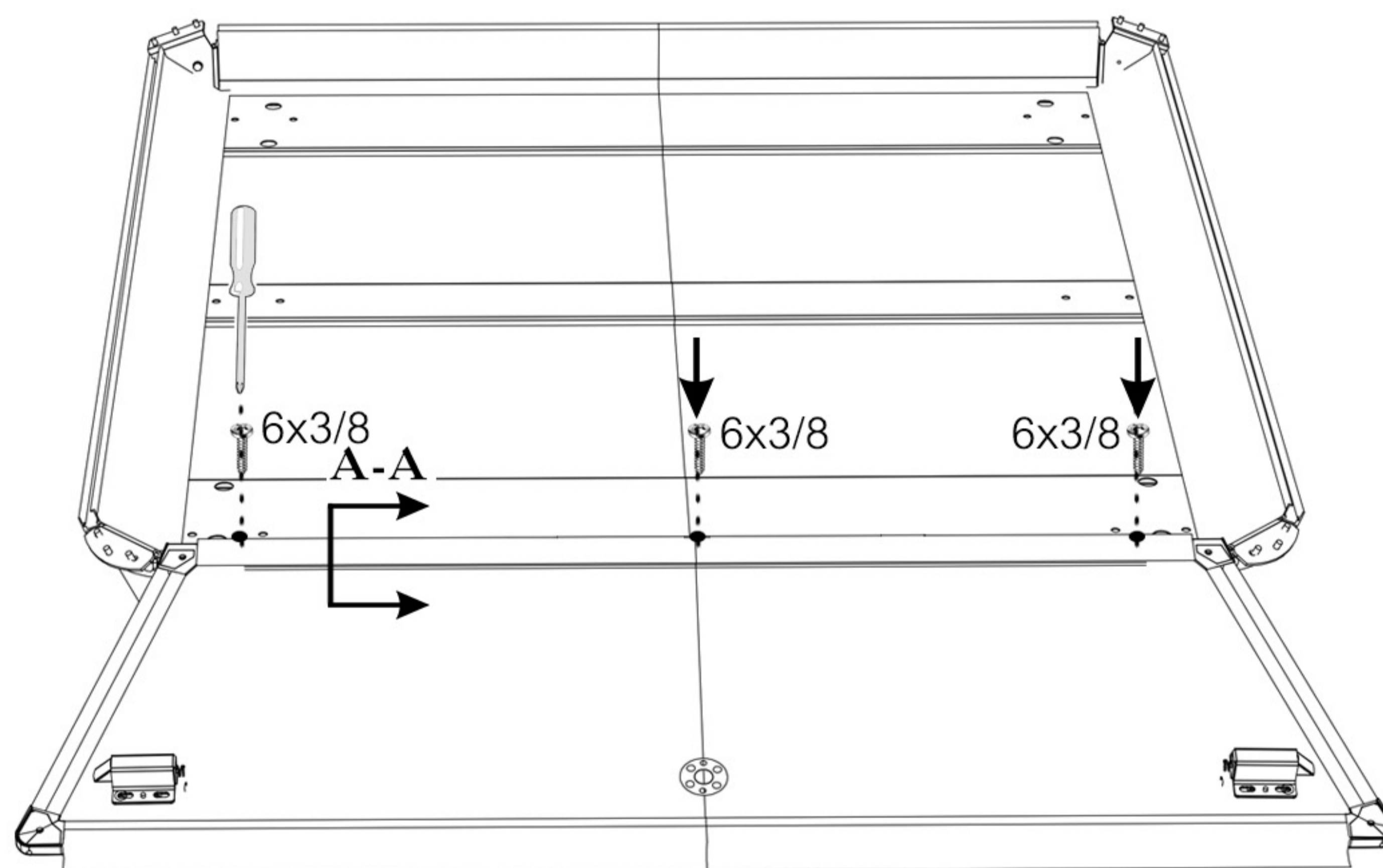
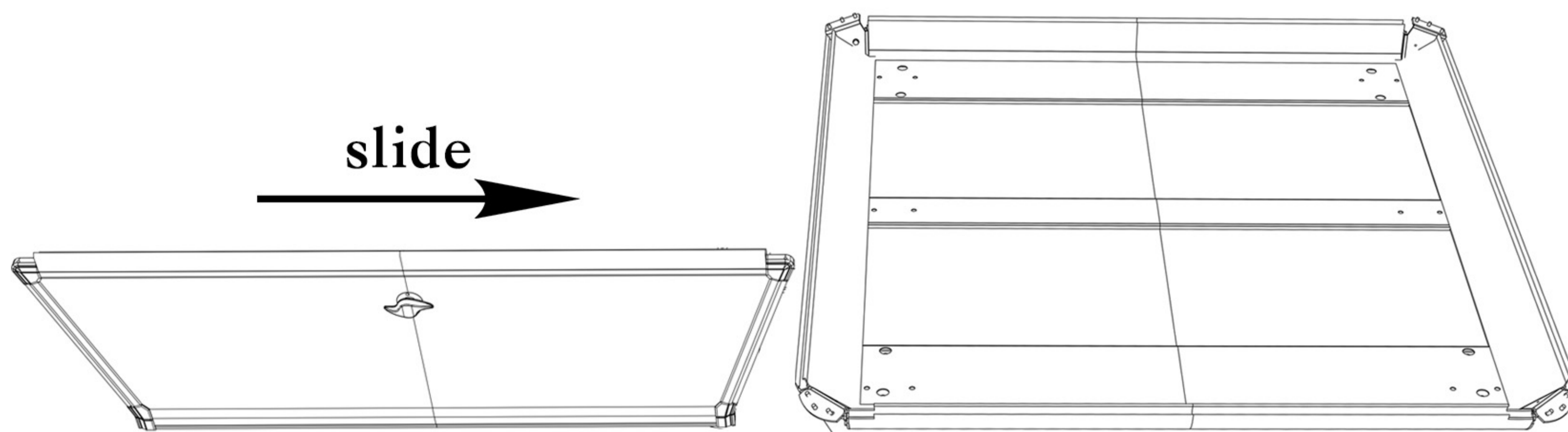
Assembly the canopy

1. Assembly rear door to roof panel

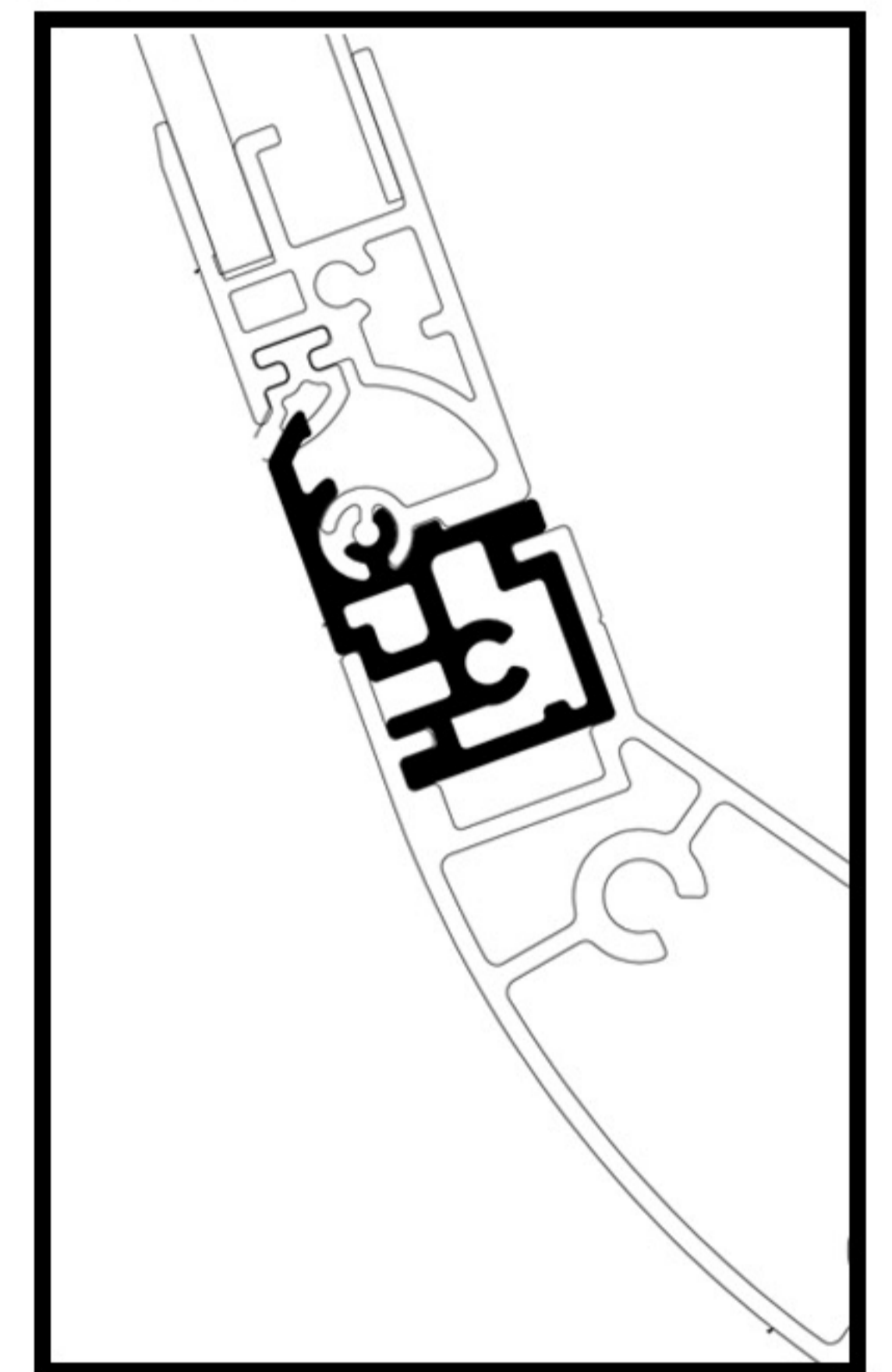
WARNING



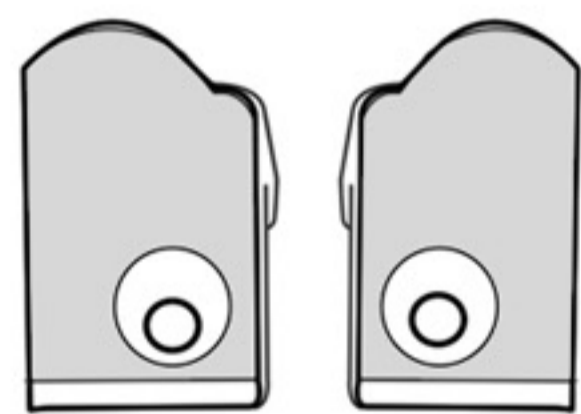
- USE ONLY THE TOOLS RECOMMENDED IN THIS GUIDE
- USE ONLY THE HARDWARE THAT HAS BEEN PROVIDED
- HANDLE ALL COMPONENTS WITH CARE
- IT IS RECOMMENDED THAT FOUR PEOPLE LIFT/LOWER THE CANOPY
- NEVER USE ACETONE ON THE PAINTWORK
- AVOID PINCHING/SQUASHING HANDS



A-A



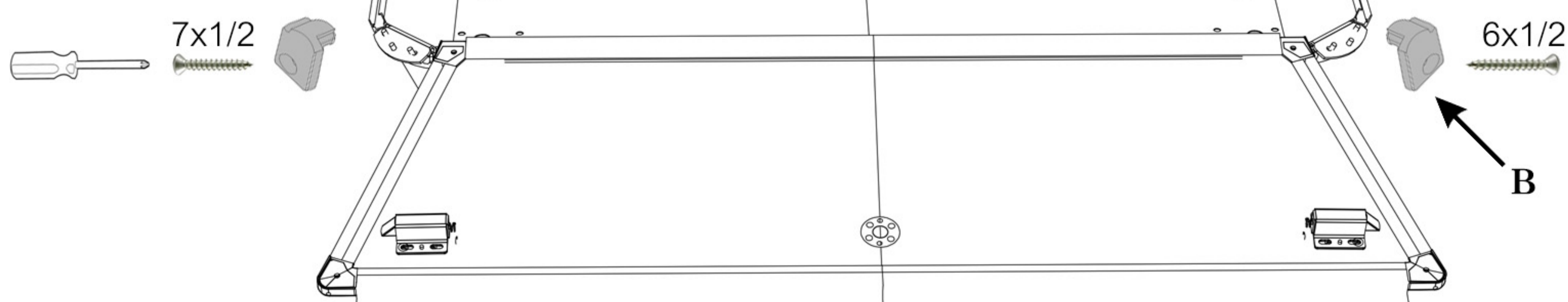
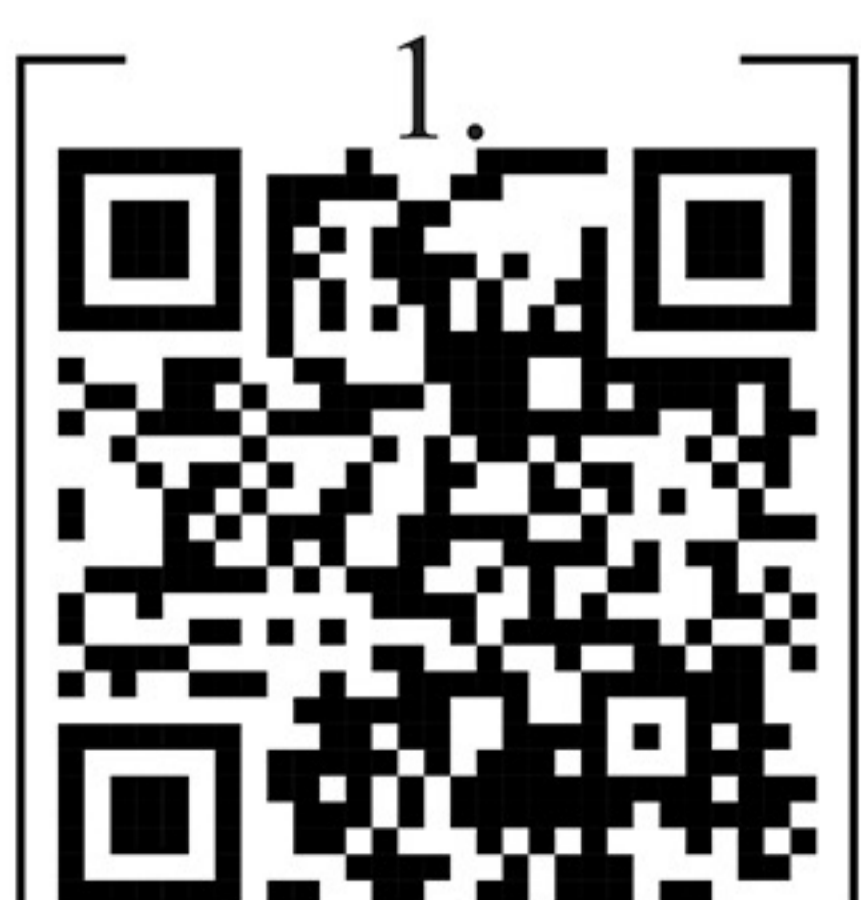
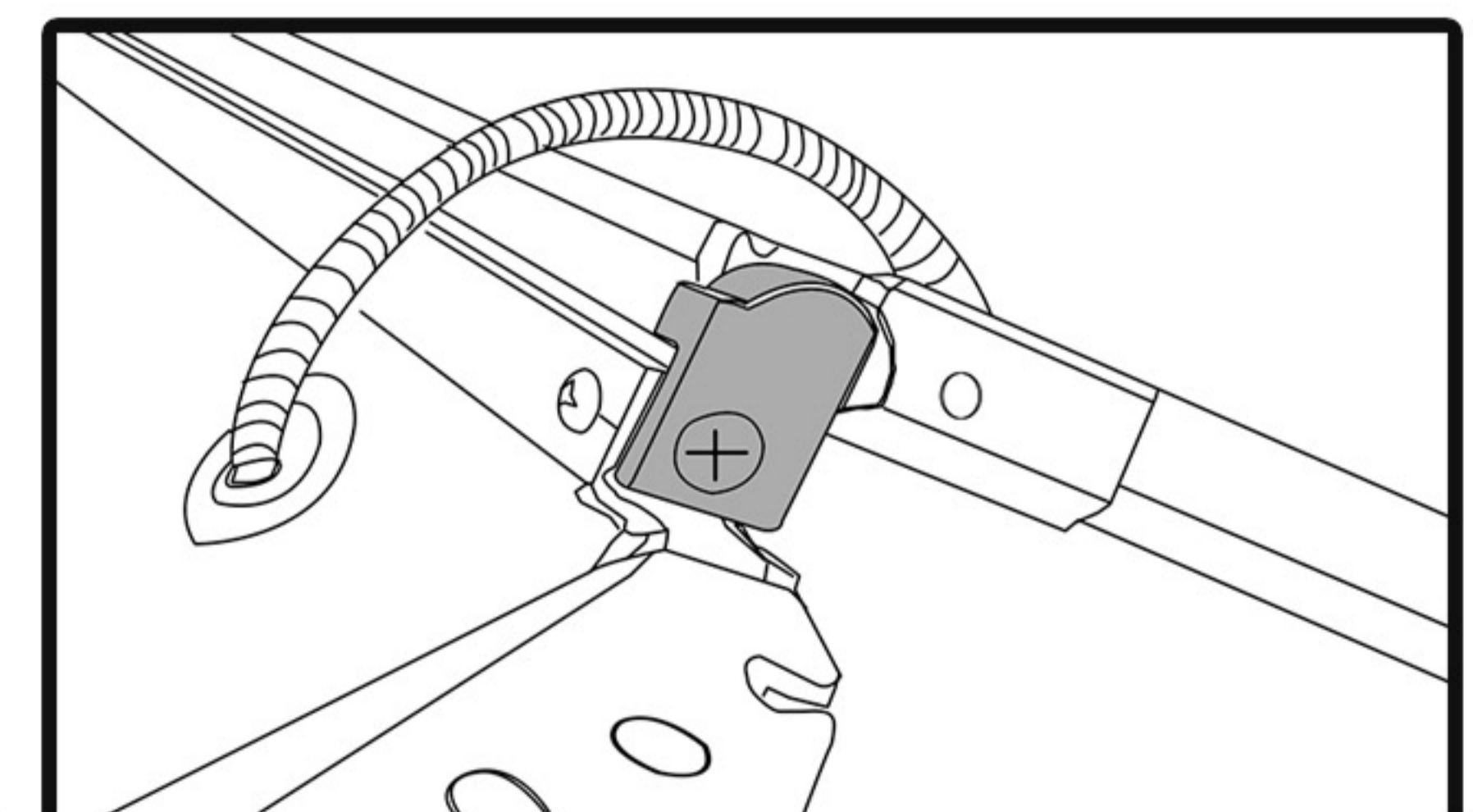
Rear door kit



Flat Head Tapping Screw 7x1/2 = 2 pcs.

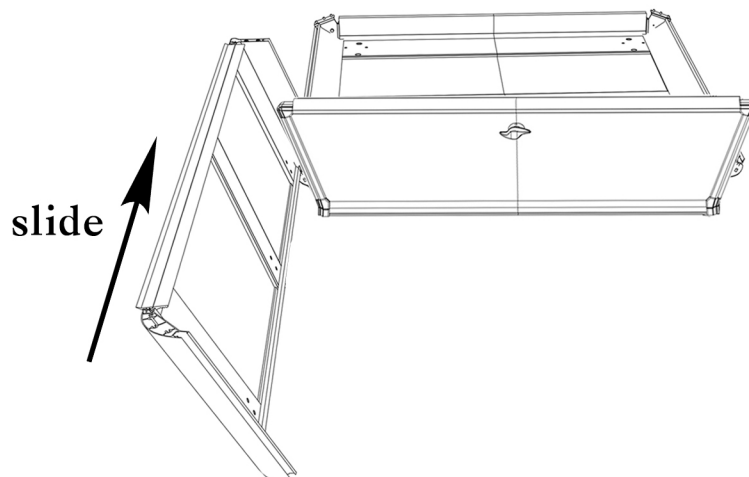
Pan Head Tapping Screw 6x3/8 = 3 pcs.

B



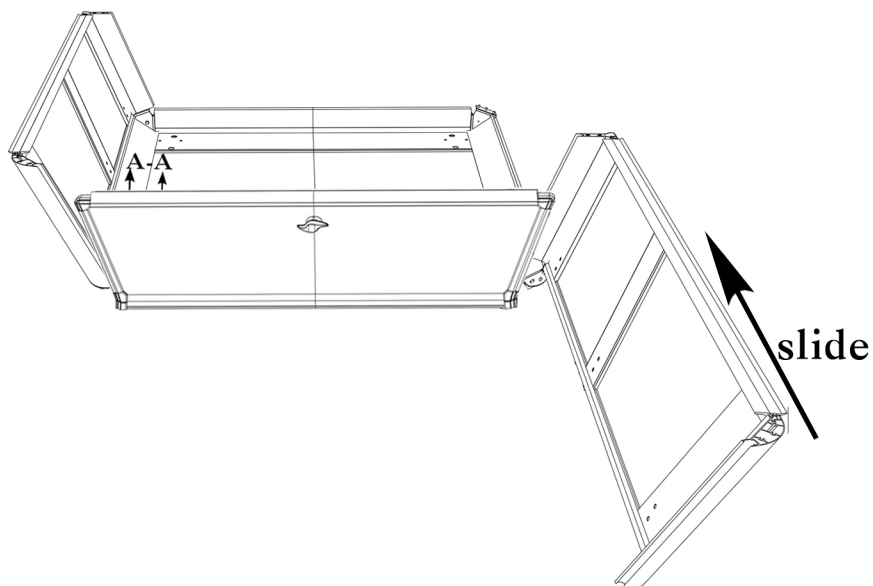
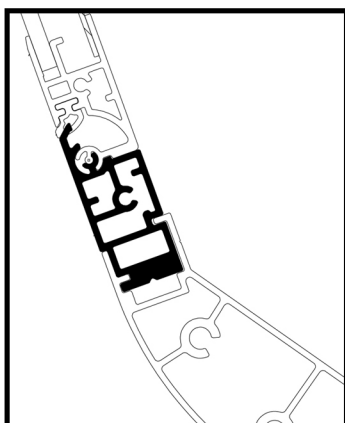


2. Assembly side panel



Note : Lift up the rear door before
sliding the side panels into the side roof frame

A-A



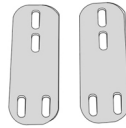
WARNING

- USE ONLY THE TOOLS RECOMMENDED IN THIS GUIDE
- USE ONLY THE HARDWARE THAT HAS BEEN PROVIDED
- HANDLE ALL COMPONENTS WITH CARE
- IT IS RECOMMENDED THAT FOUR PEOPLE LIFT/LOWER THE CANOPY
- NEVER USE ACETONE ON THE PAINTWORK
- AVOID PINCHING/SQUASHING HANDS

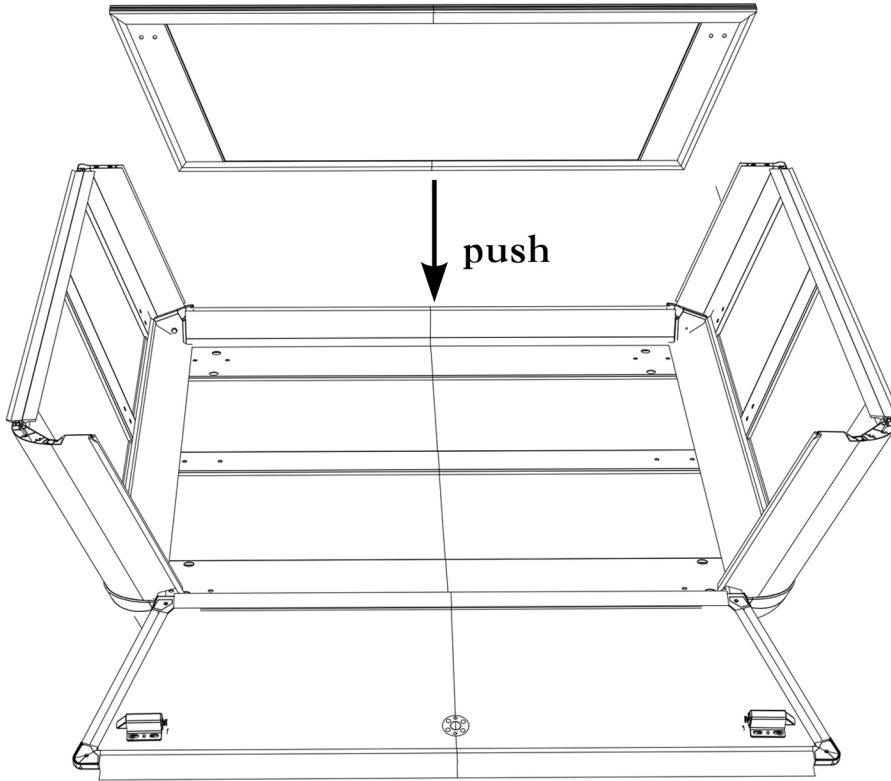


3. Assembly front panel

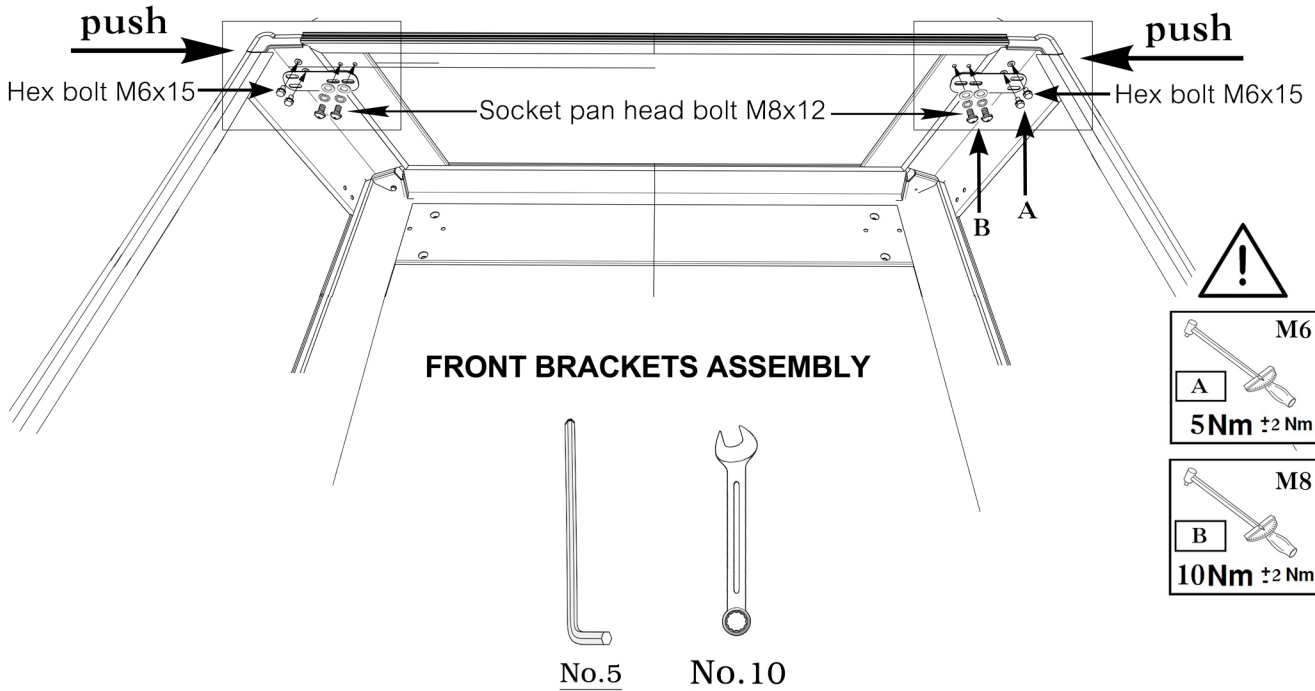
Front panel bracket



- Socket pan head bolt M8x12 =4set
- Hex bolt M6x15 =4set



Note: Pre-assembly fastener by hand then tighten by tool



WARNING

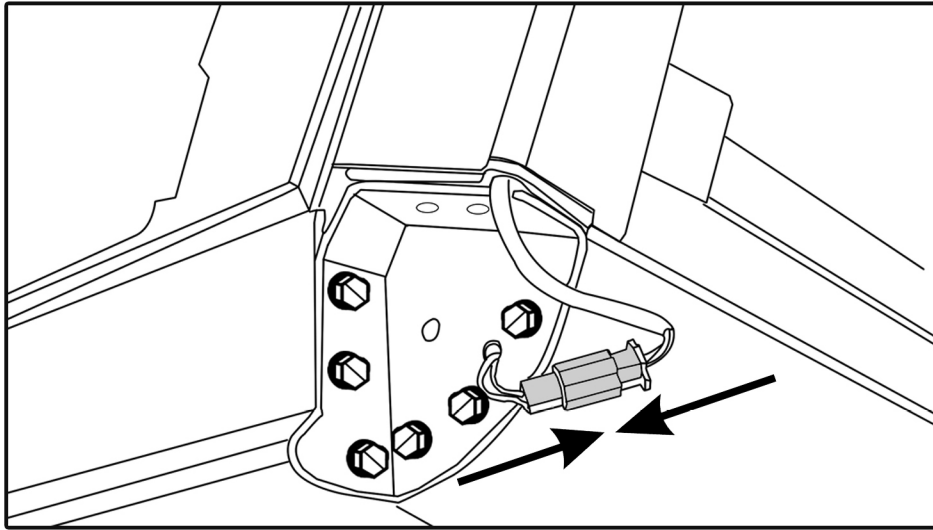


- USE ONLY THE TOOLS RECOMMENDED IN THIS GUIDE
- USE ONLY THE HARDWARE THAT HAS BEEN PROVIDED
- HANDLE ALL COMPONENTS WITH CARE
- IT IS RECOMMENDED THAT FOUR PEOPLE LIFT/LOWER THE CANOPY
- NEVER USE ACETONE ON THE PAINTWORK
- AVOID PINCHING/SQUASHING HANDS

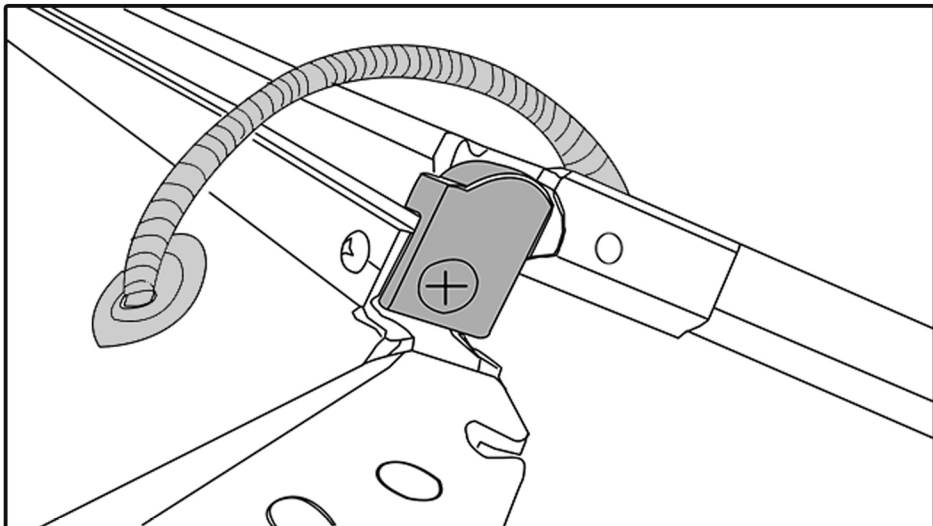
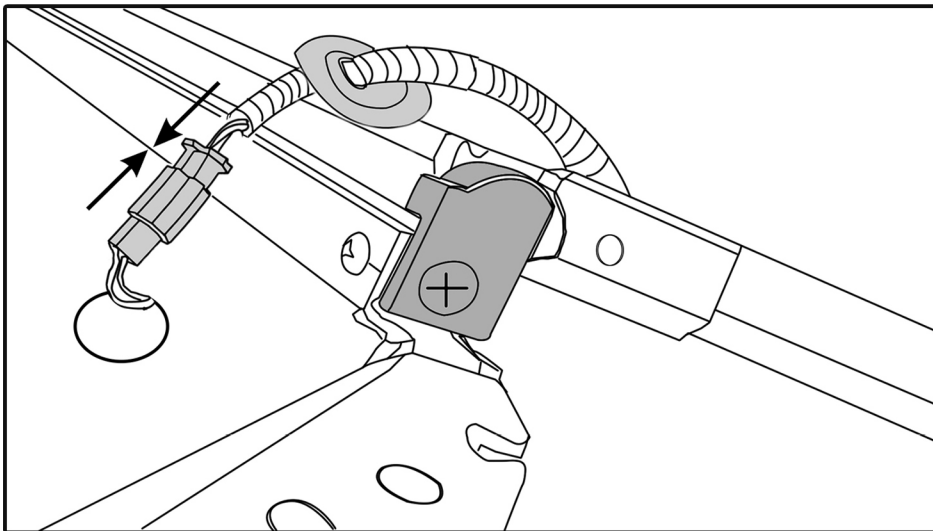


4. Connect electric wire

front



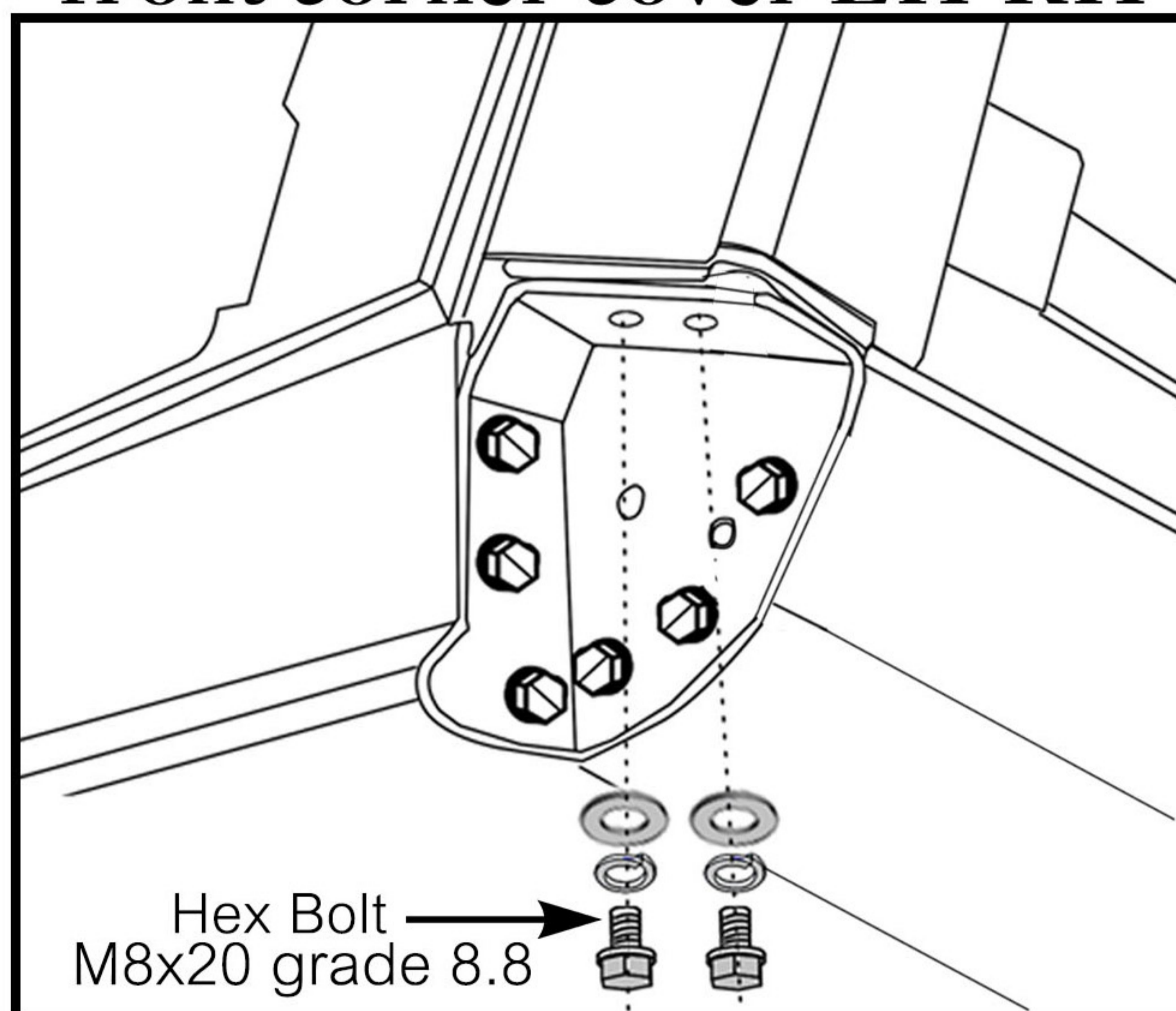
Rear



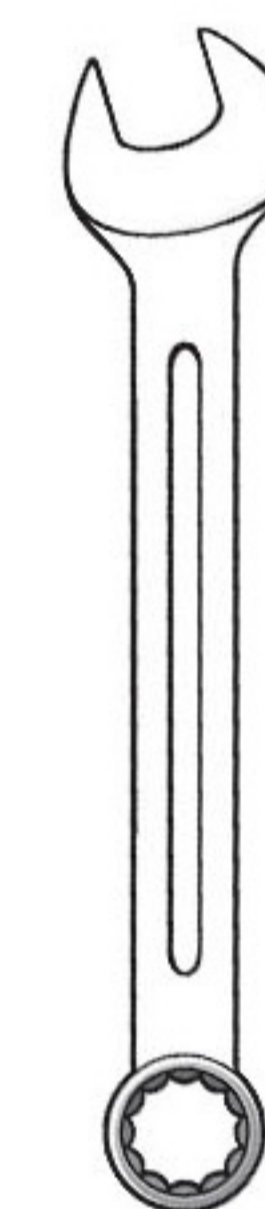
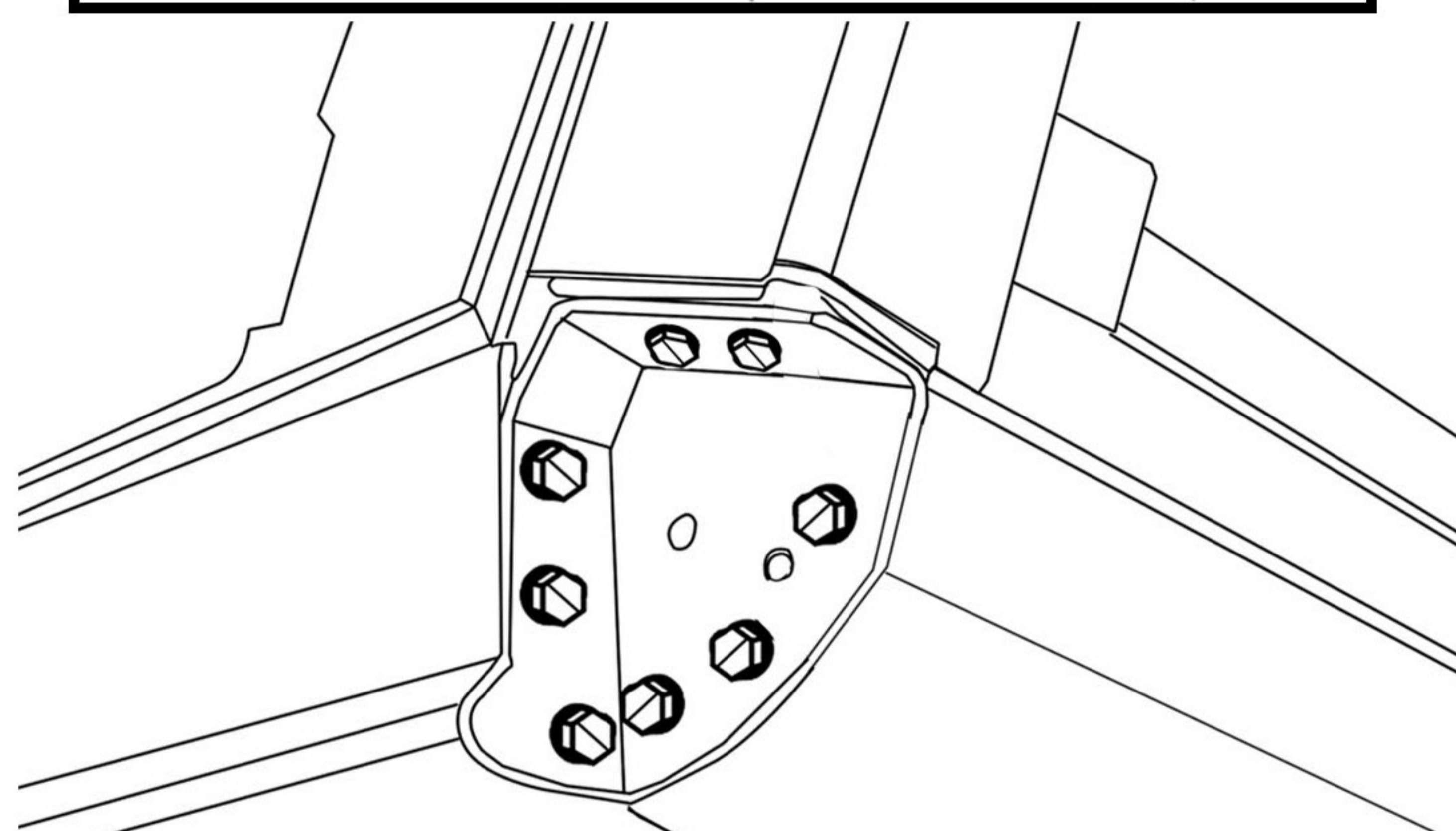
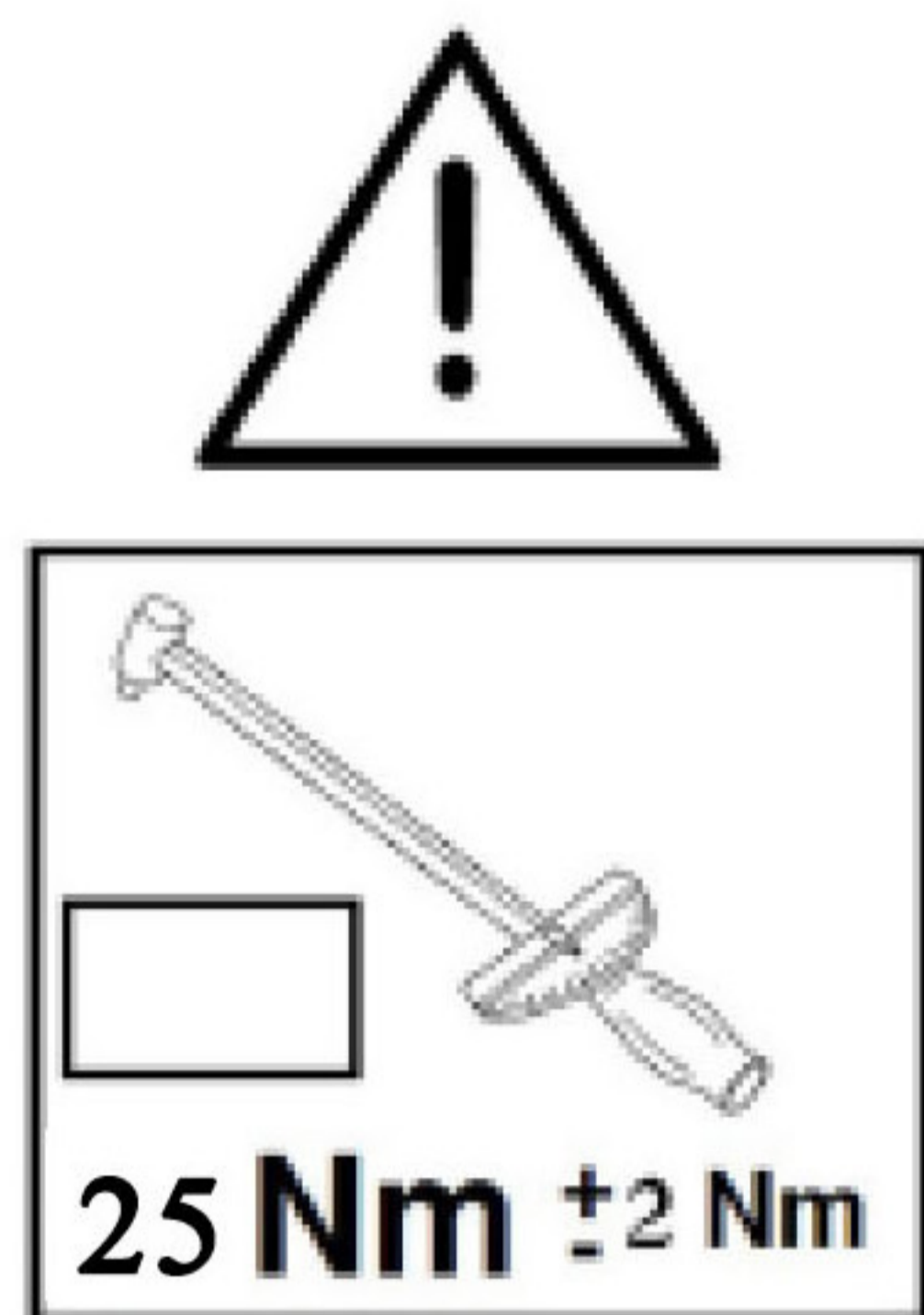
5. Locking the side panels to the roof



front corner cover LH-RH

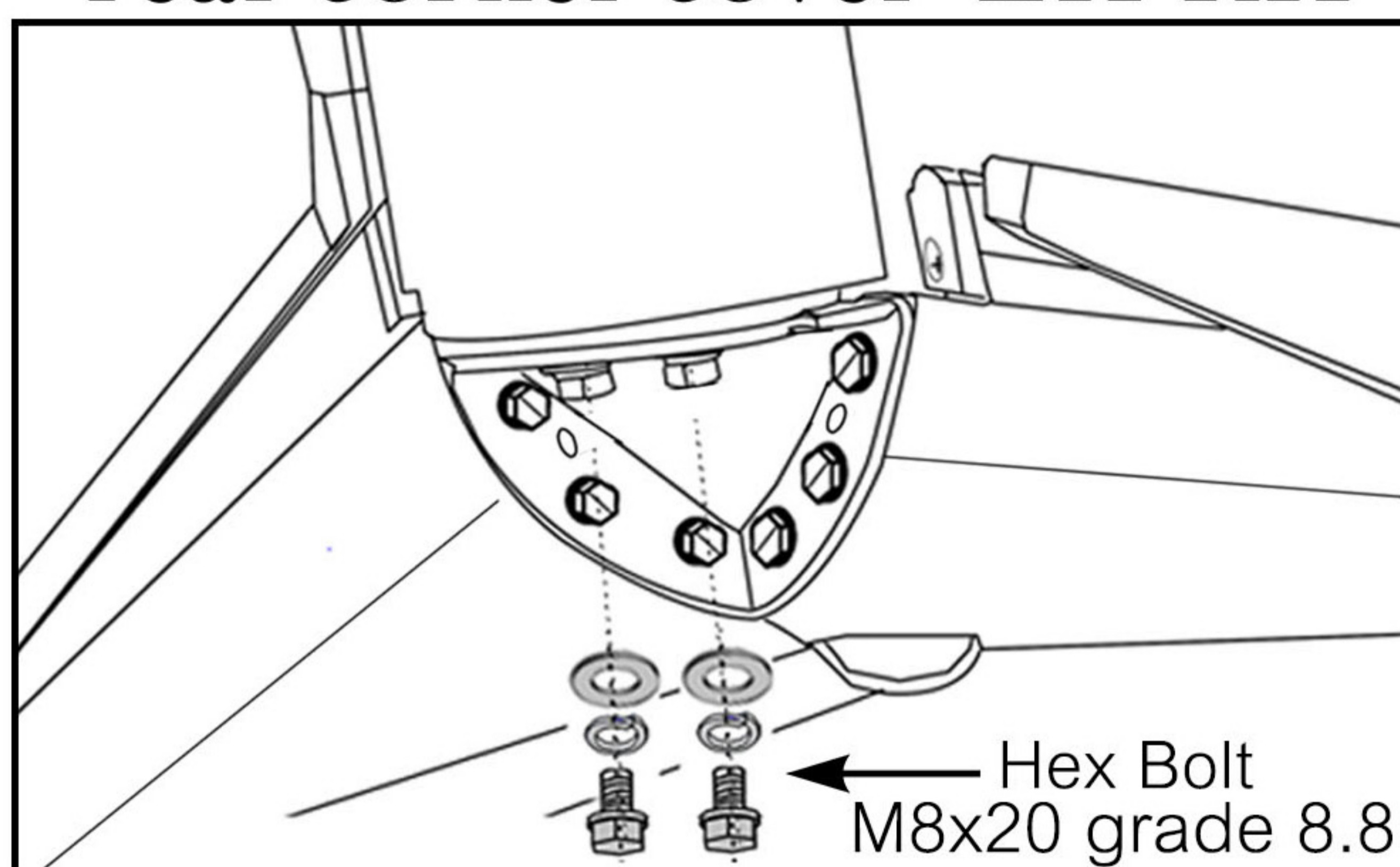


Note: Pre-assembly fastener by hand then tighten by tool

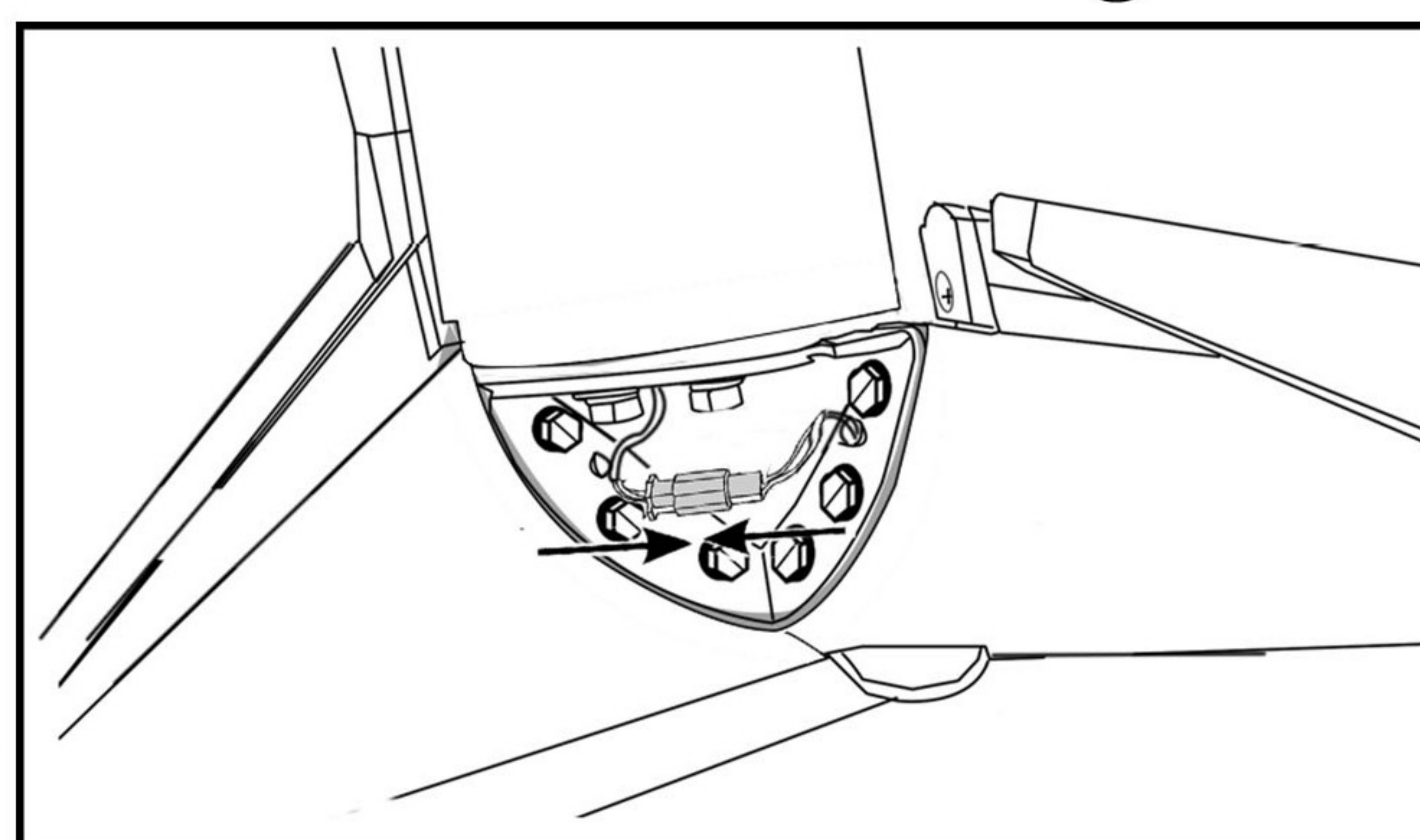


No.13

rear corner cover LH-RH



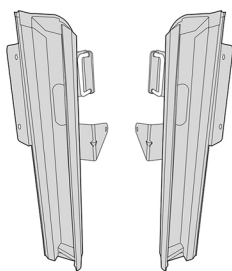
connect brake light



6. Assembly rear water channel

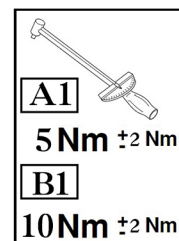
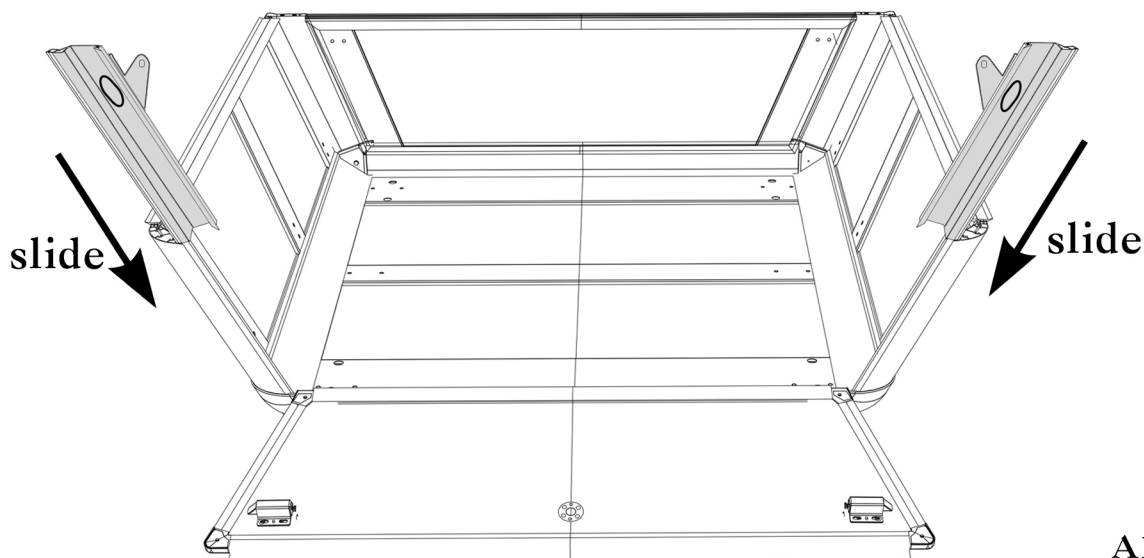


Water channel

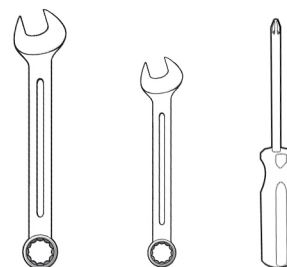
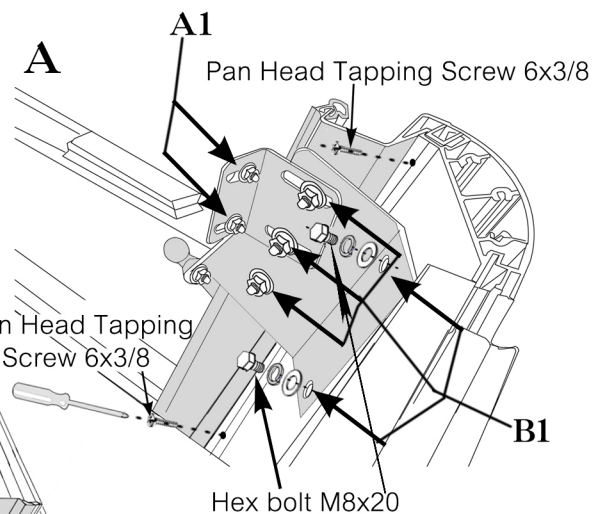
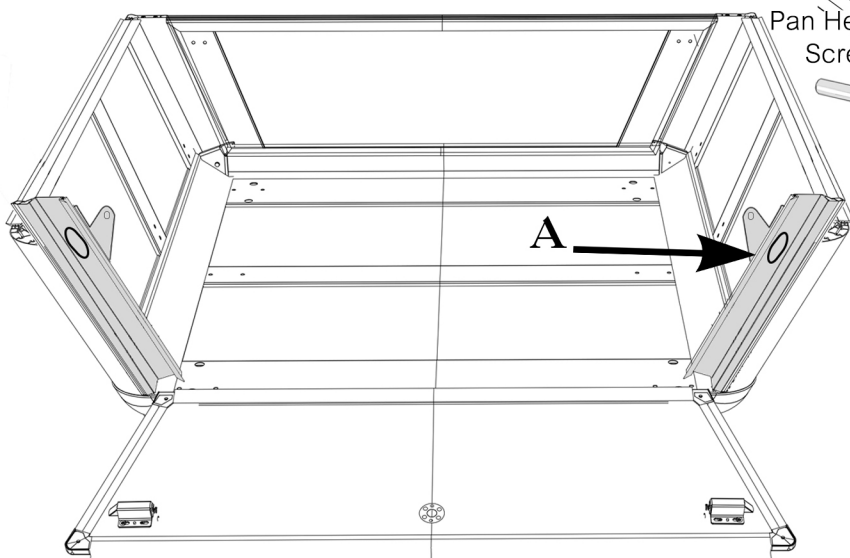


Hex bolt M8x20 = 4 set

Pan Head Tapping Screw 6x3/8 = 4 pcs.



Note: Pre-assembly fastener by hand then tighten by tool



No. 12 No. 10



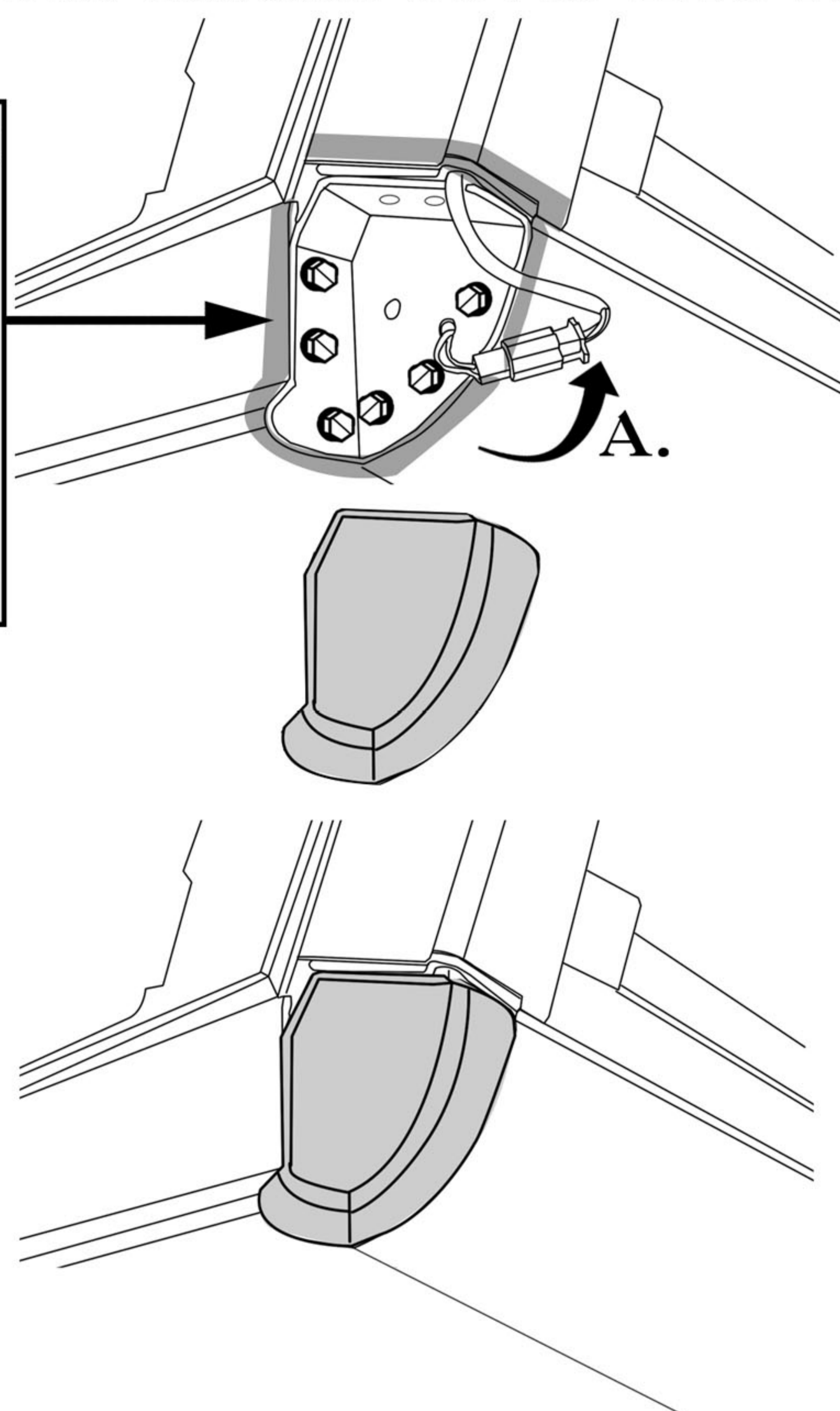
WARNING

- USE ONLY THE TOOLS RECOMMENDED IN THIS GUIDE
- USE ONLY THE HARDWARE THAT HAS BEEN PROVIDED
- HANDLE ALL COMPONENTS WITH CARE
- IT IS RECOMMENDED THAT FOUR PEOPLE LIFT/LOWER THE CANOPY
- NEVER USE ACETONE ON THE PAINTWORK
- AVOID PINCHING/SQUASHING HANDS

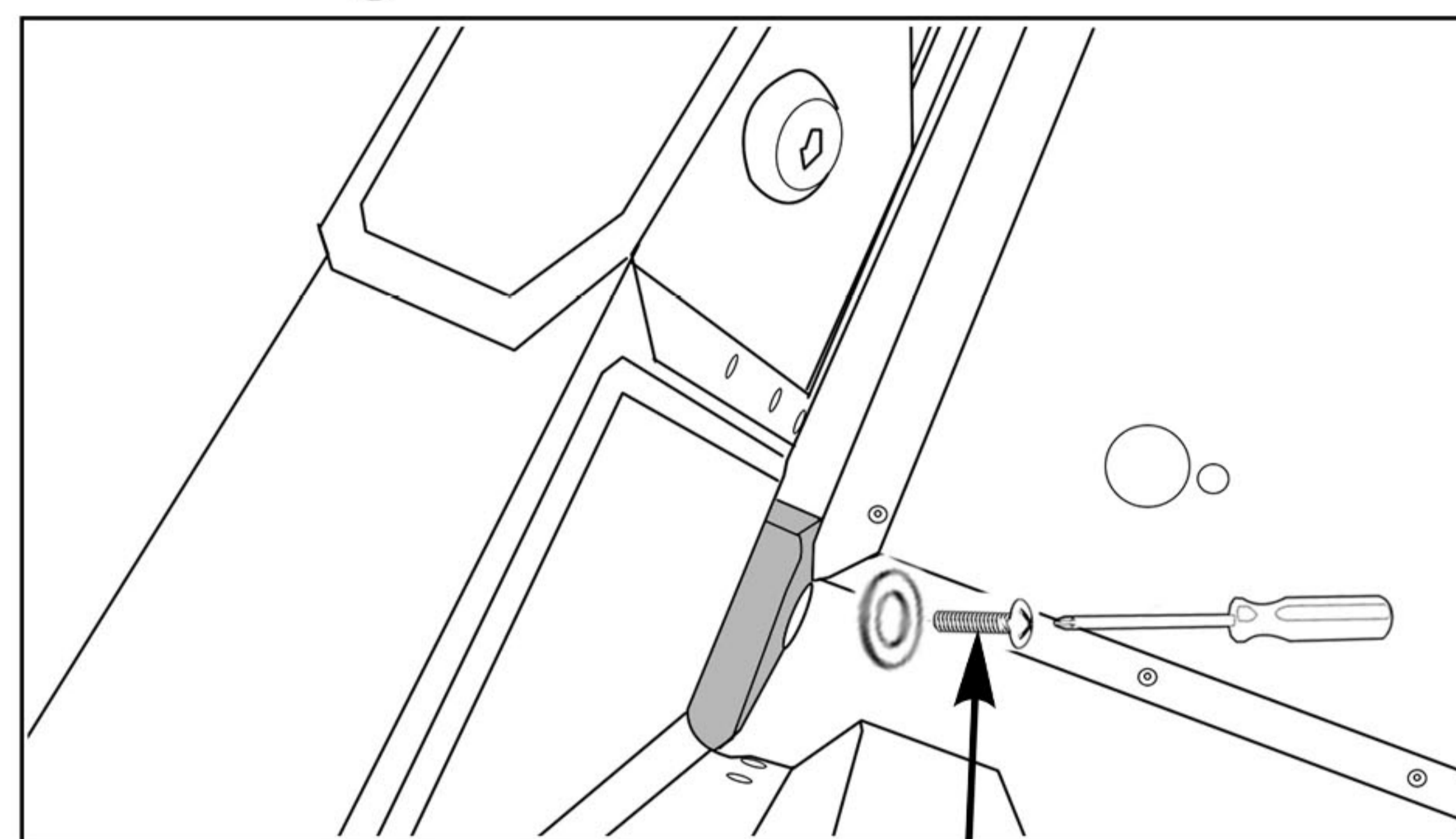
7. Attach front corner cover LH-RH



Cleaning
surface
before
applying
tape glue



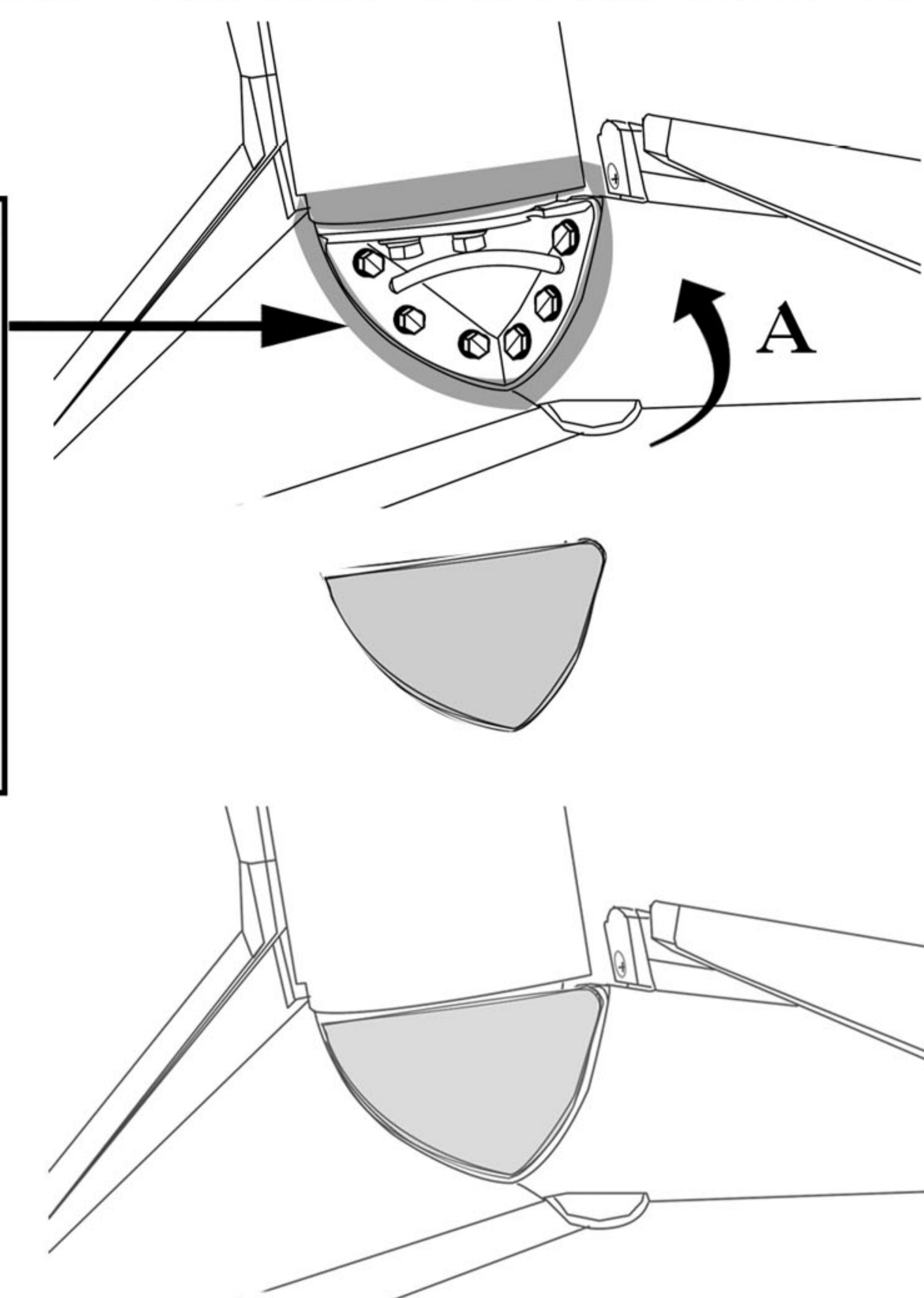
A. tighten the bolt from inside



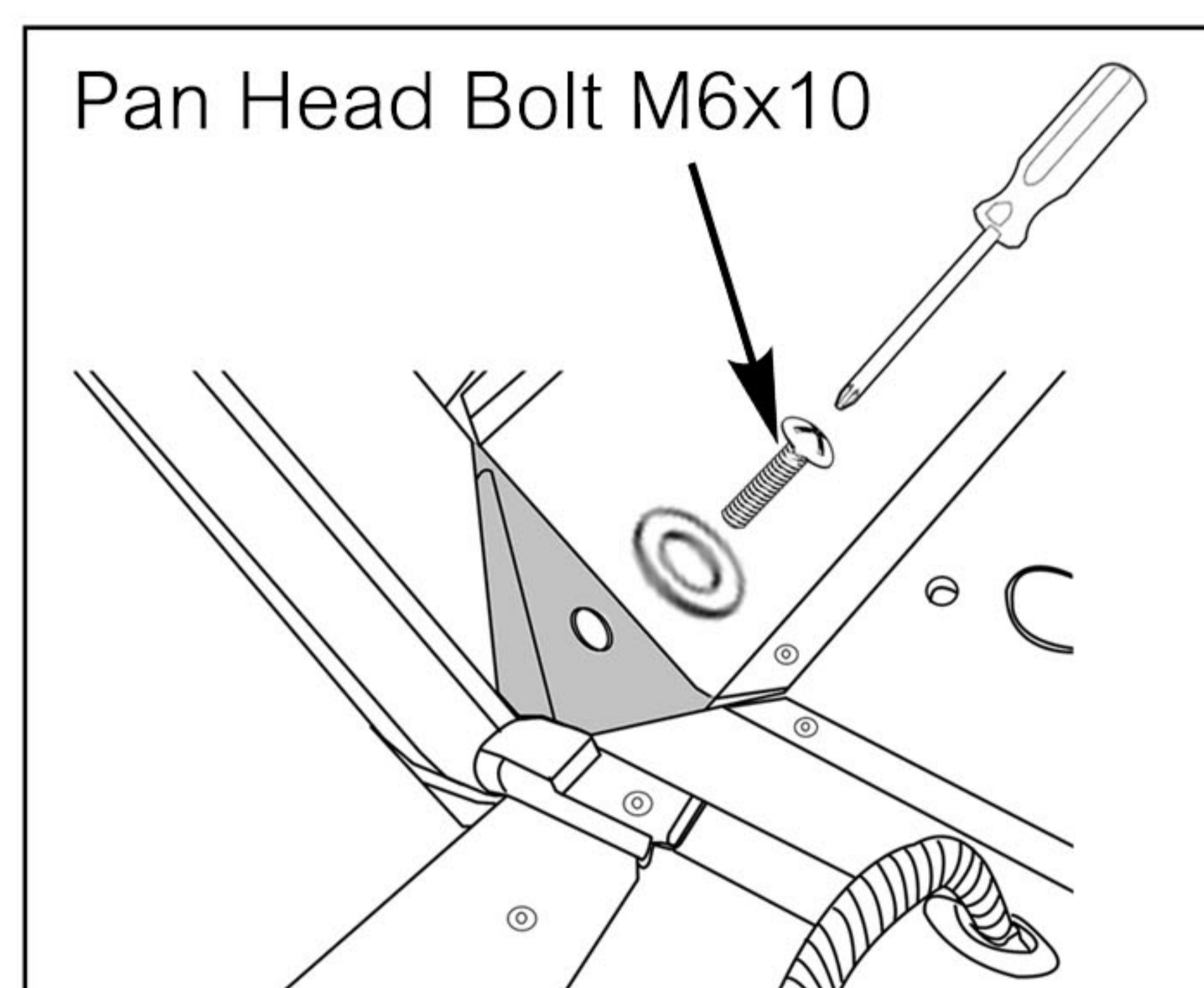
Pan Head Bolt M6x10

8. Attach rear corner cover LH-RH

Cleaning
surface
before
applying
tape glue

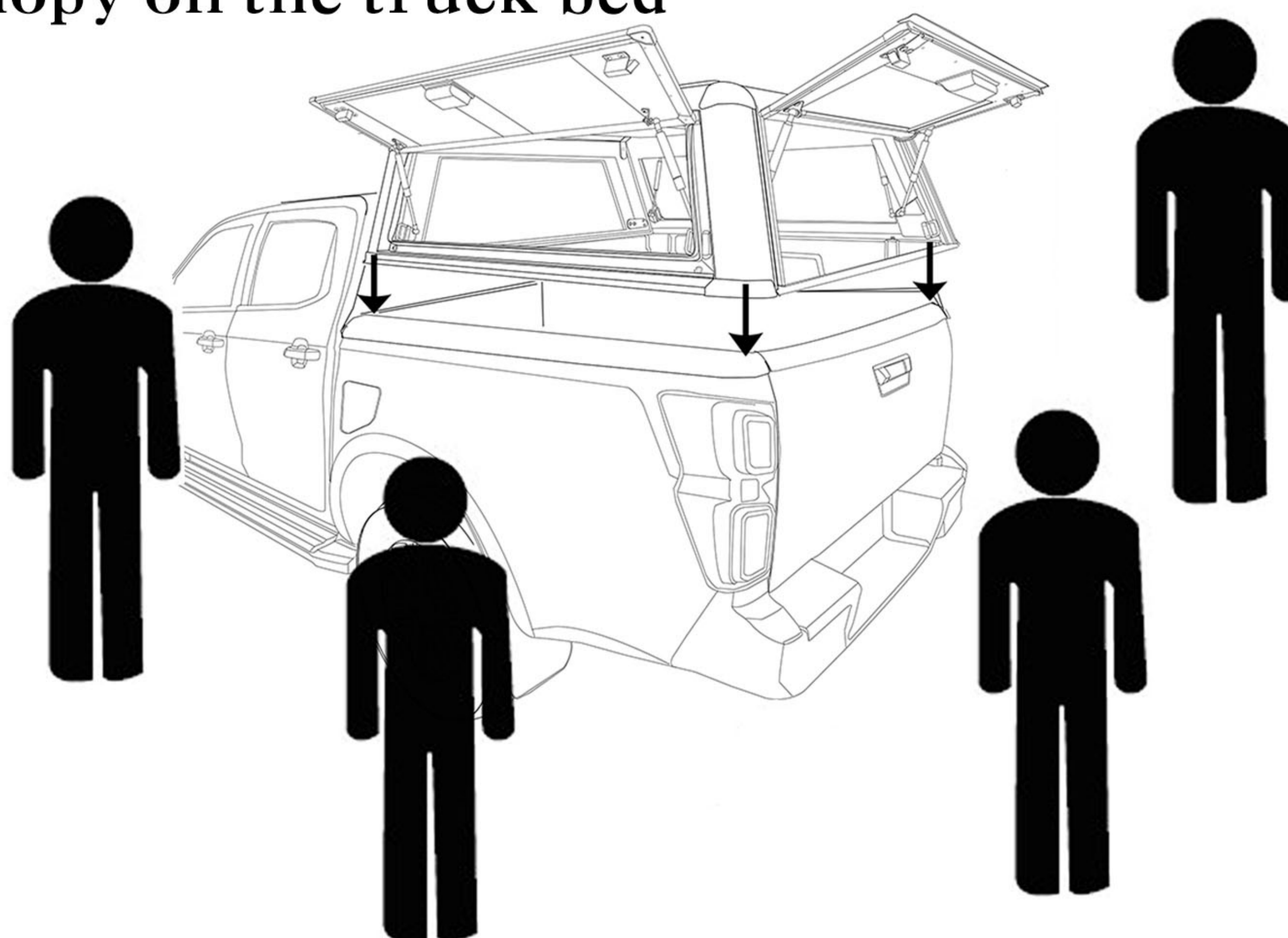


A. tighten the bolt from inside



Pan Head Bolt M6x10

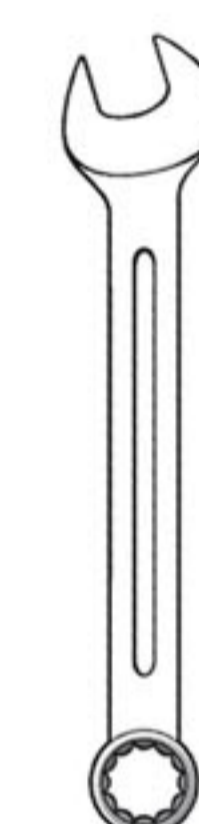
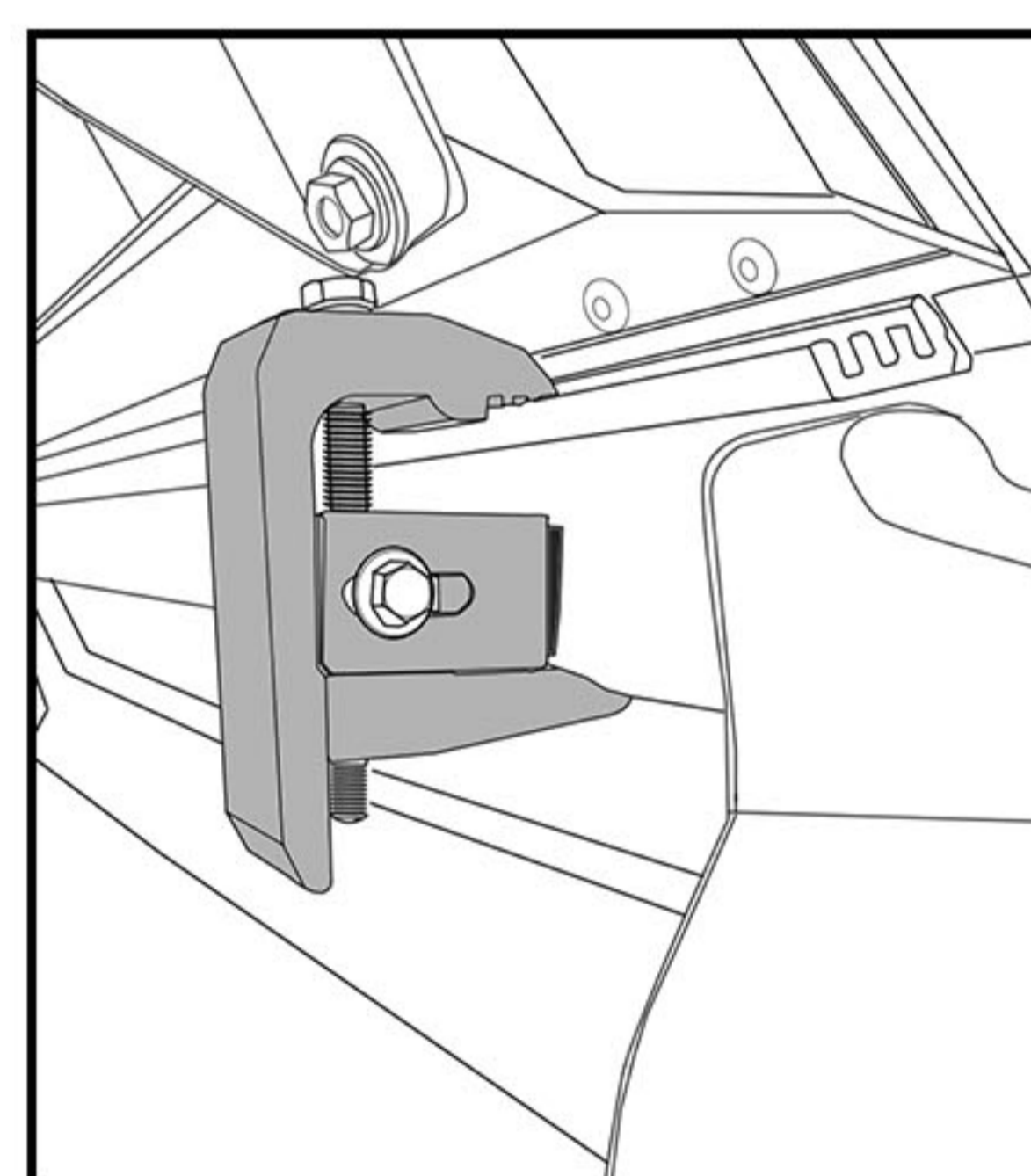
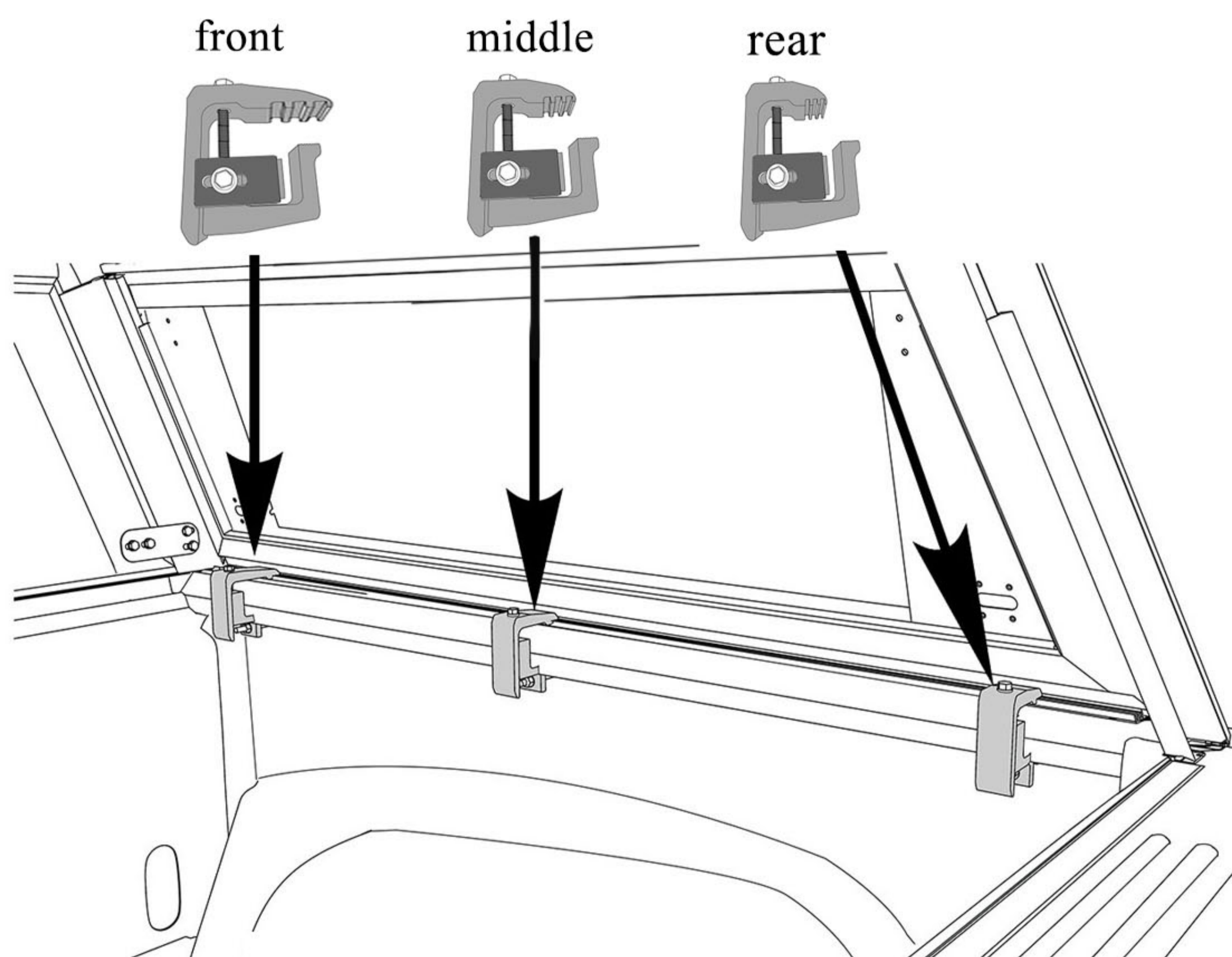
9. Install the canopy on the truck bed



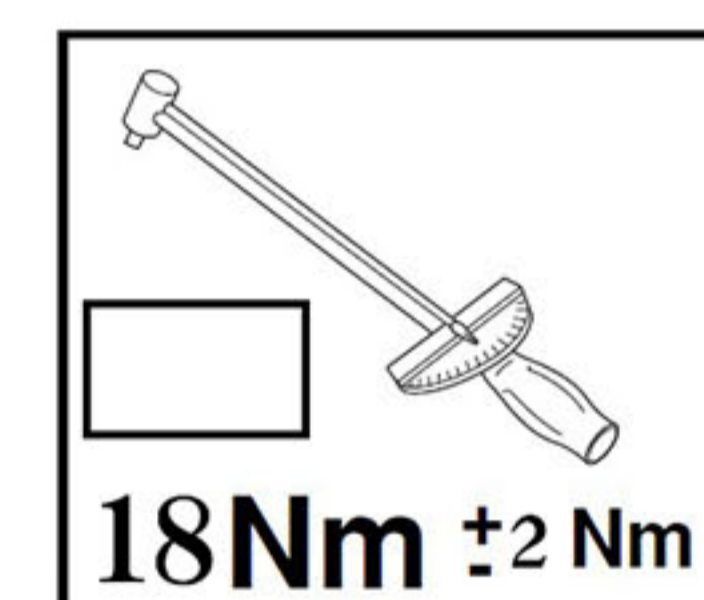
- A MINIMUM OF FOUR PEOPLE ARE RECOMMENDED TO PICK UP AND PLACE THE CANOPY ONTO THE TRUCK.
- TO KEEP FROM DAMAGING YOUR D-RUBBER DURING THE INSTALLATION PROCESS, IT IS IMPORTANT YOU LIFT THE CANOPY IN PLACE AND DO NOT DRAG IT ACROSS THE TRUCK BED RAILS.
- ONCE THE CANOPY IS CENTERED, PLACE CLAMPS IN POSITION.



10. Attach clamp to truck bed



No.13

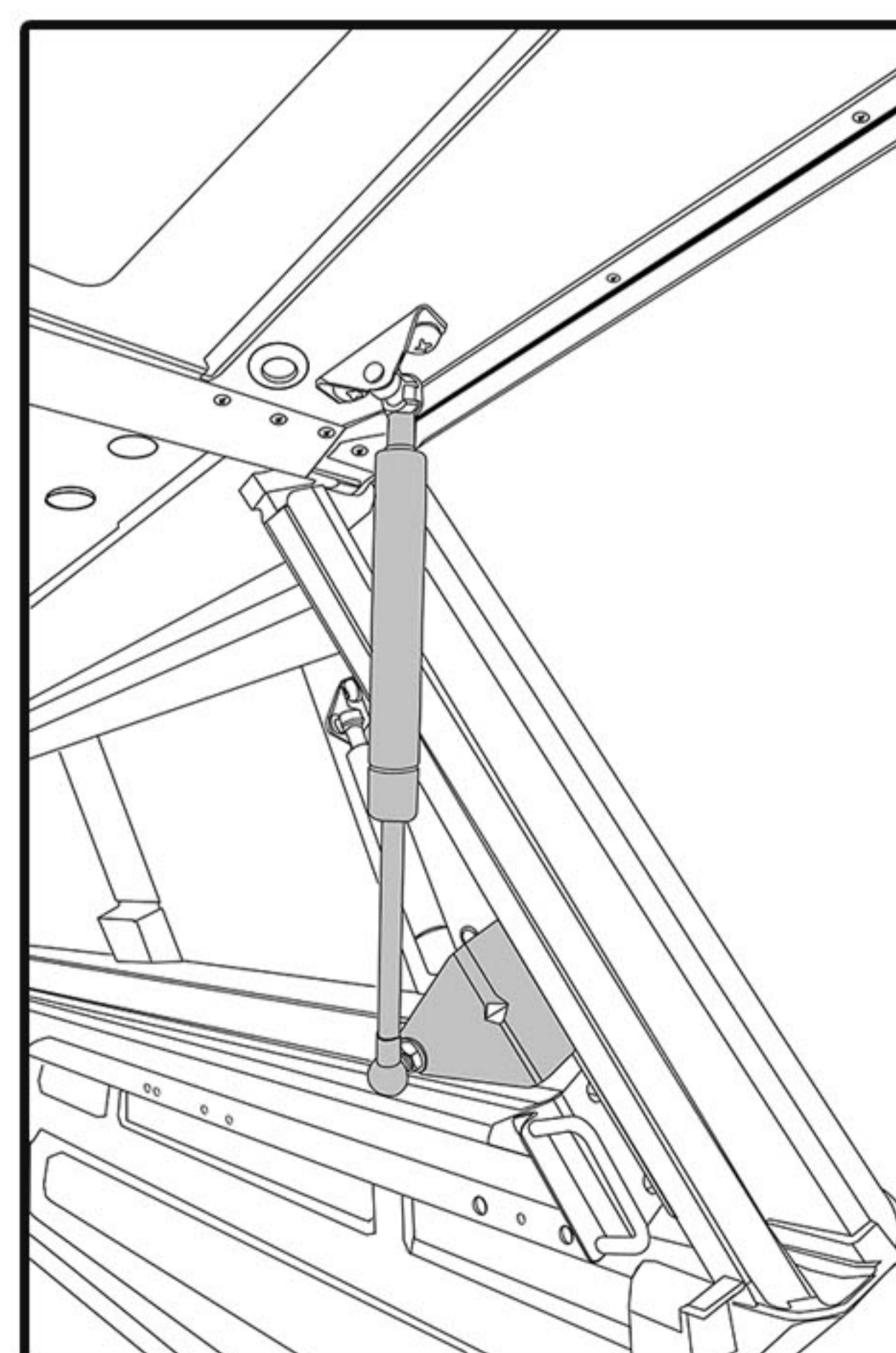


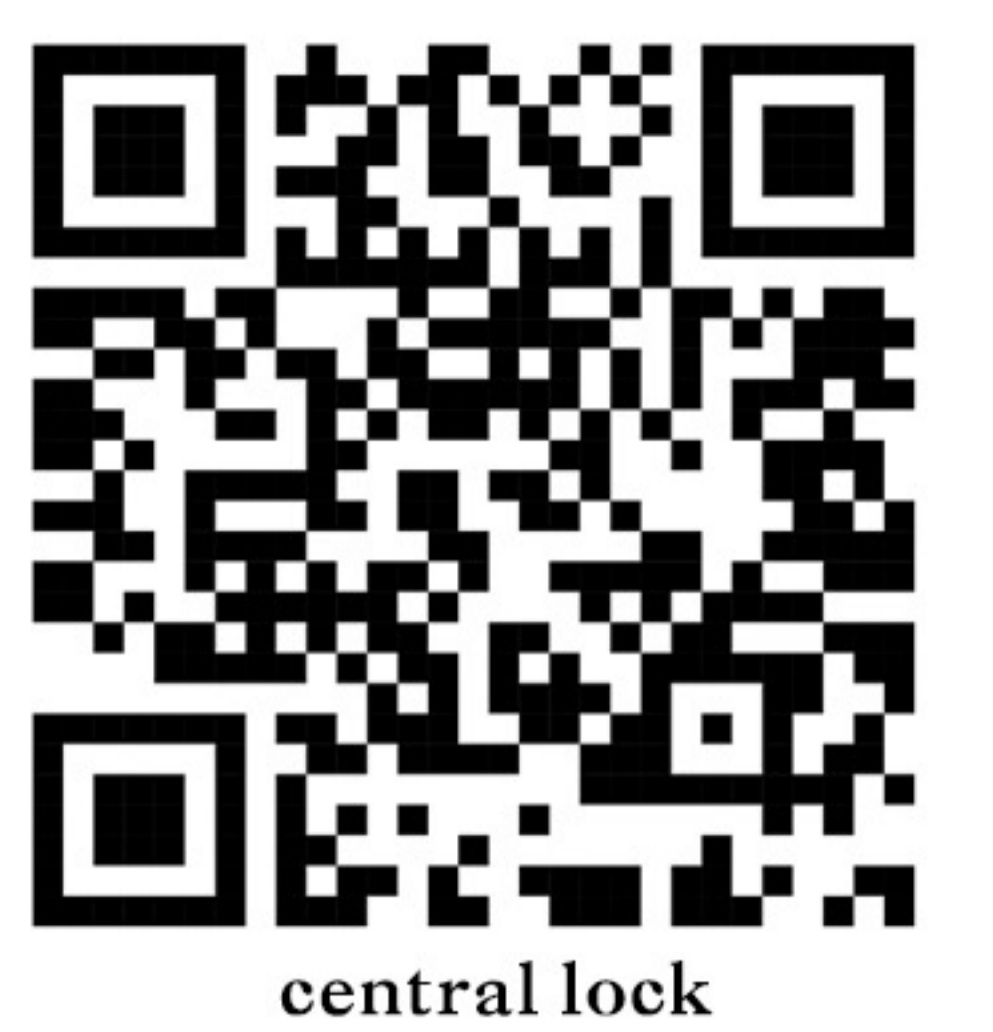
WARNING



- USE ONLY THE TOOLS RECOMMENDED IN THIS GUIDE
- USE ONLY THE HARDWARE THAT HAS BEEN PROVIDED
- HANDLE ALL COMPONENTS WITH CARE
- IT IS RECOMMENDED THAT FOUR PEOPLE LIFT/LOWER THE CANOPY
- NEVER USE ACETONE ON THE PAINTWORK
- AVOID PINCHING/SQUASHING HANDS

11. Attach gas stud

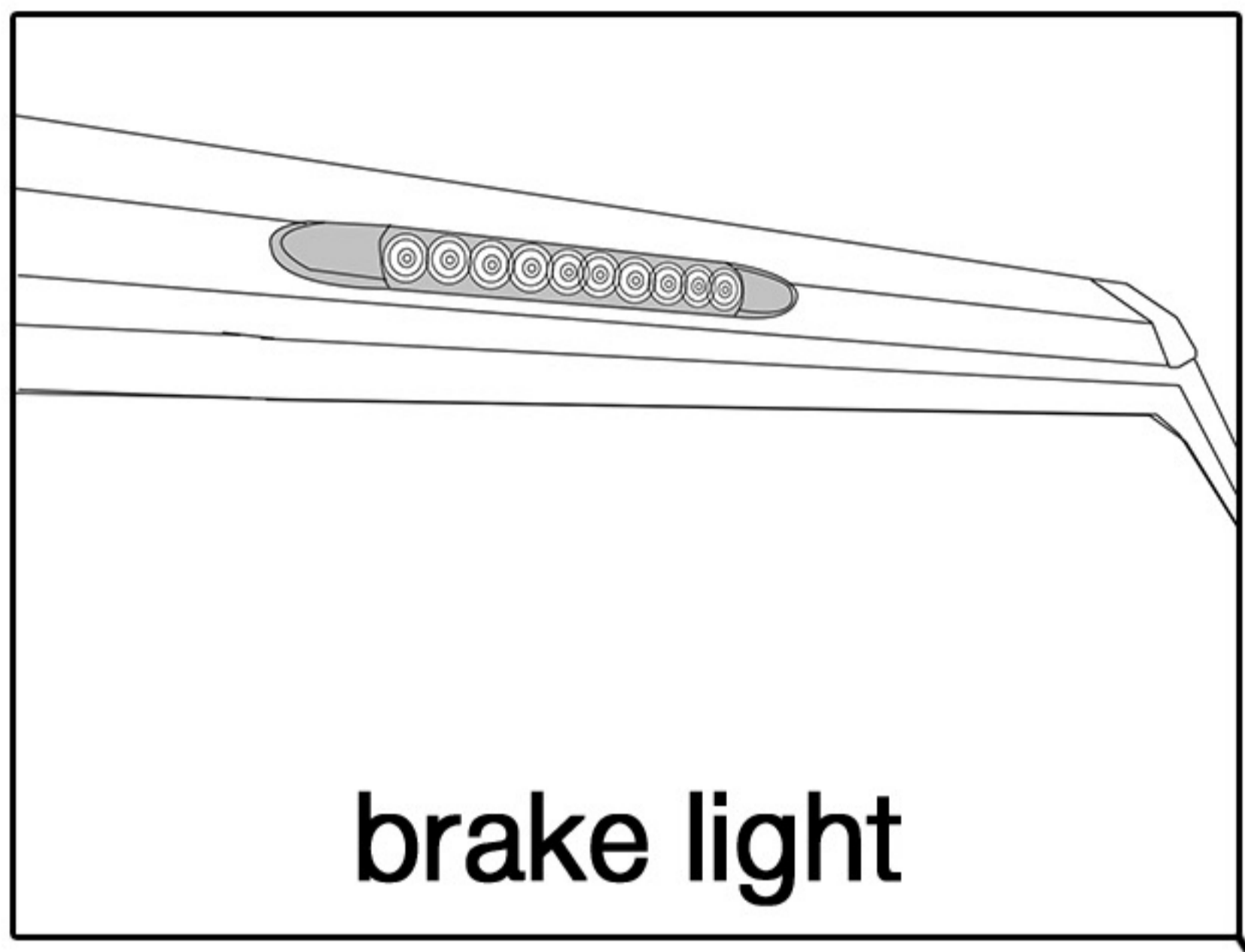




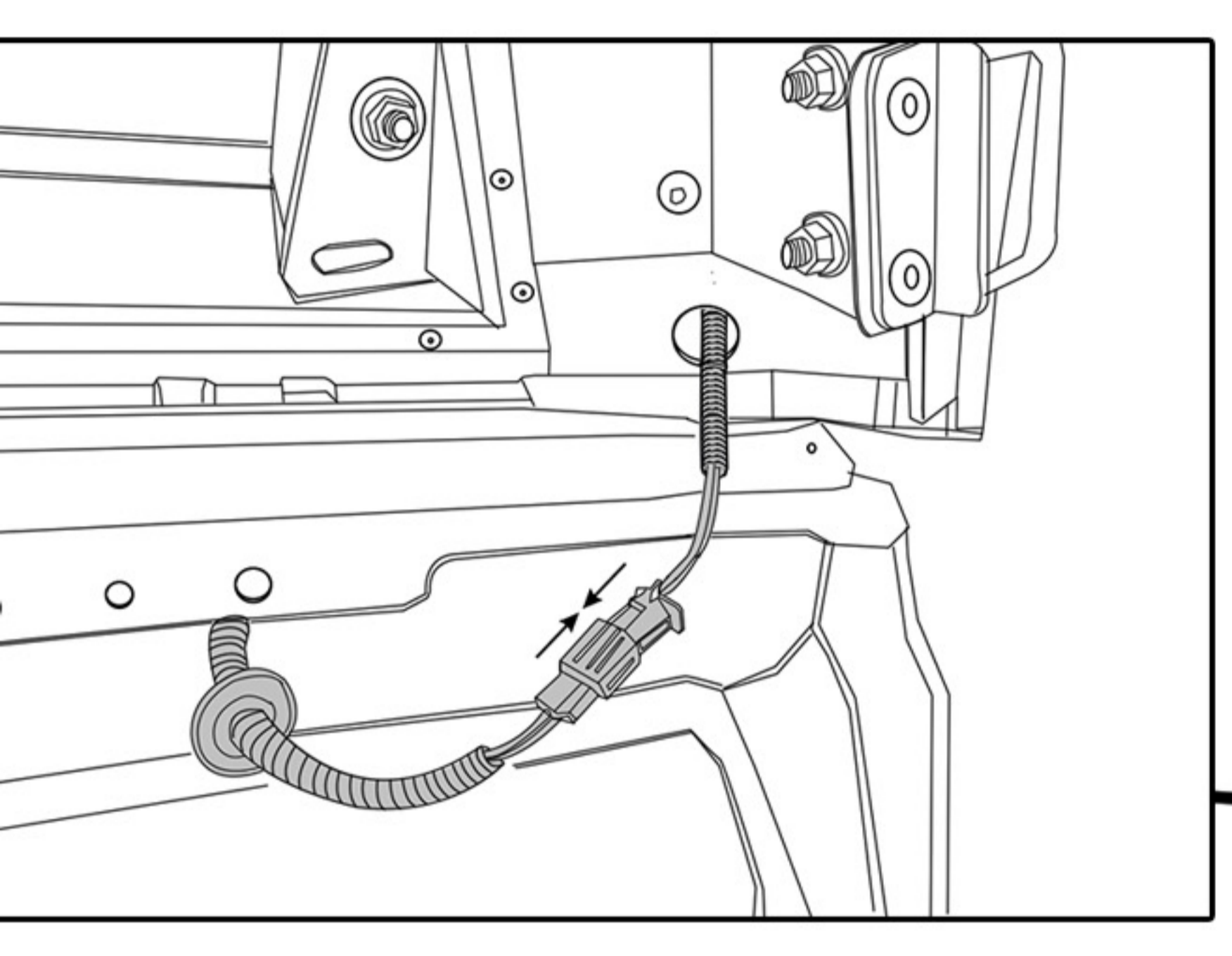
central lock



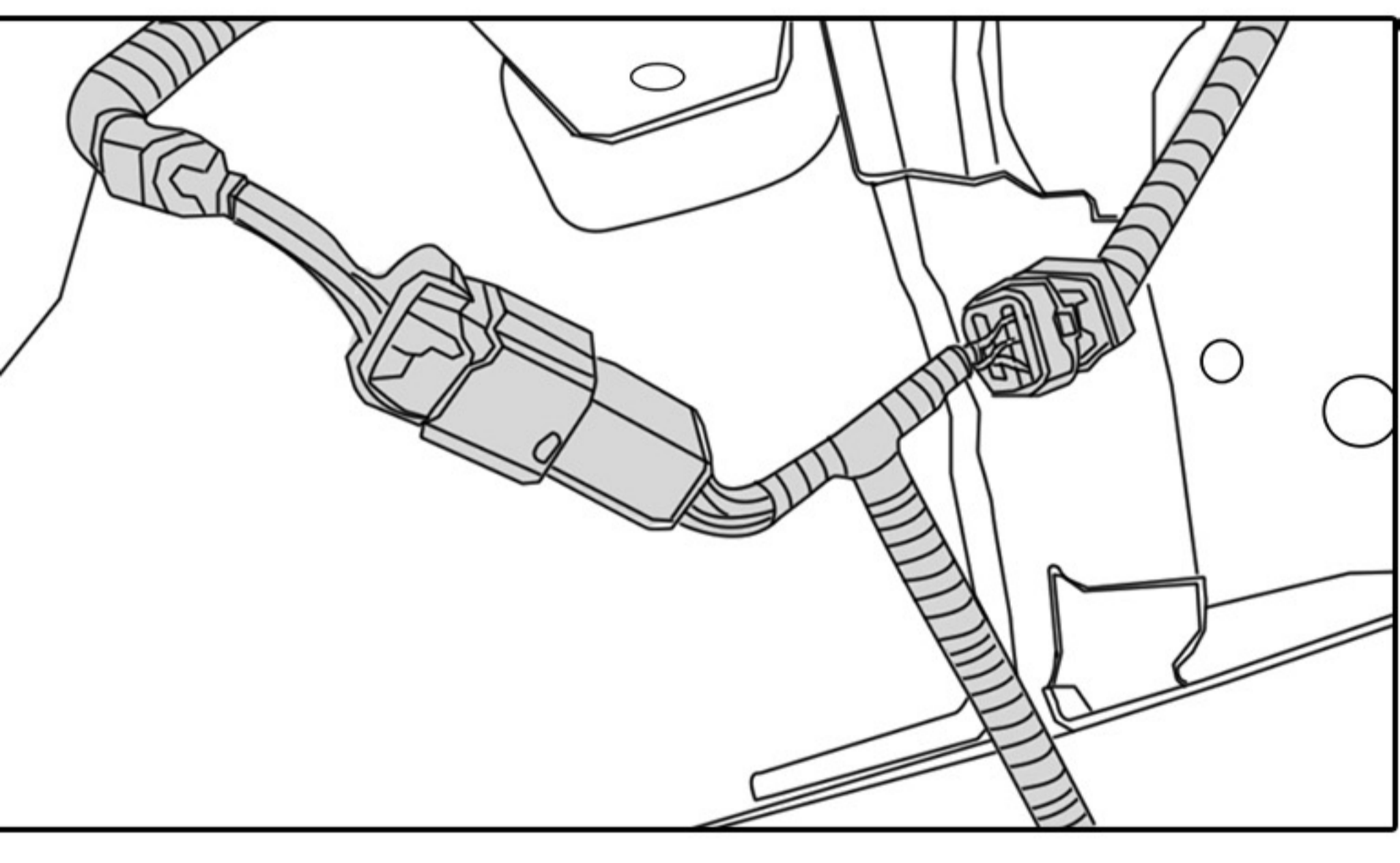
brake light



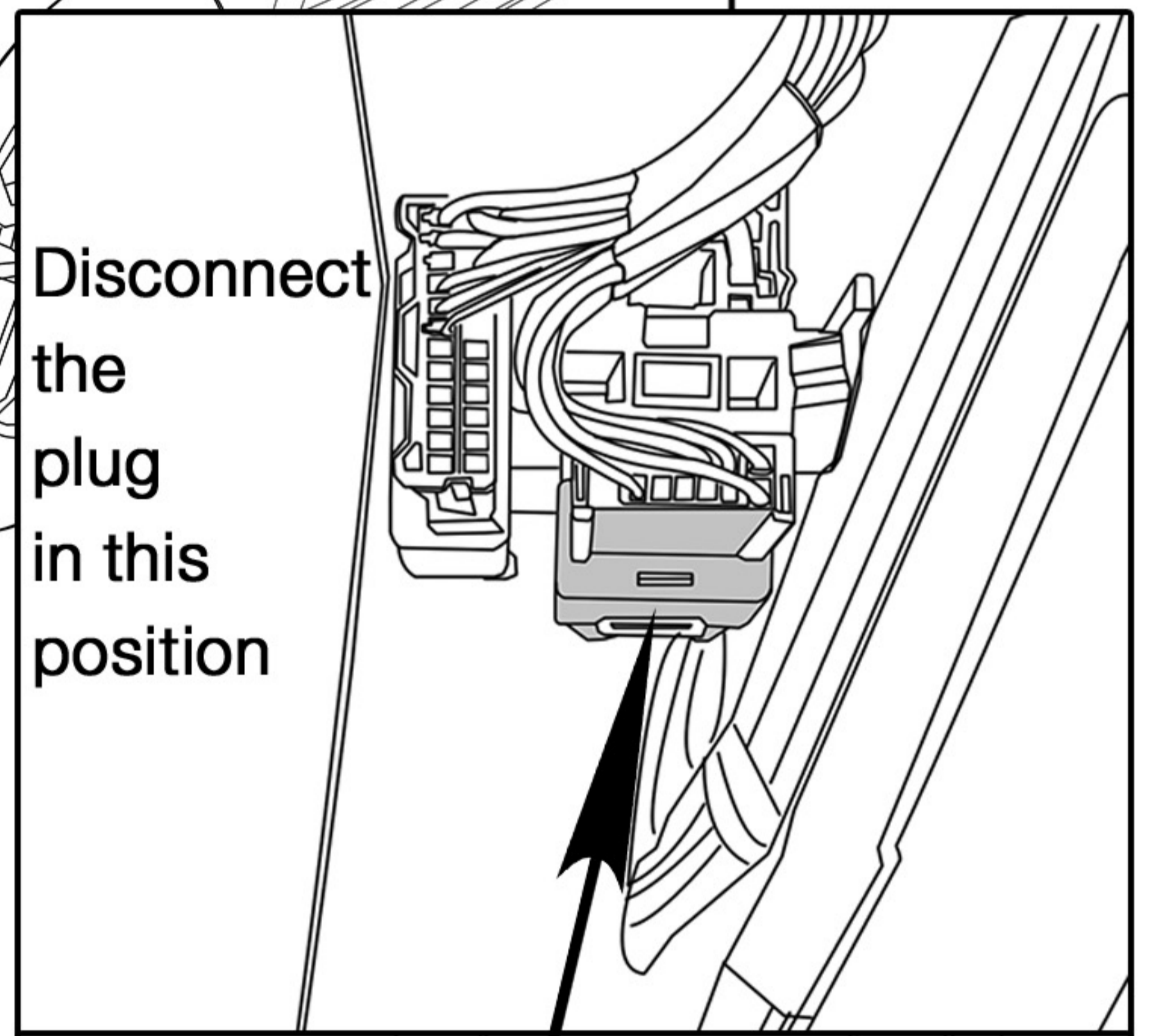
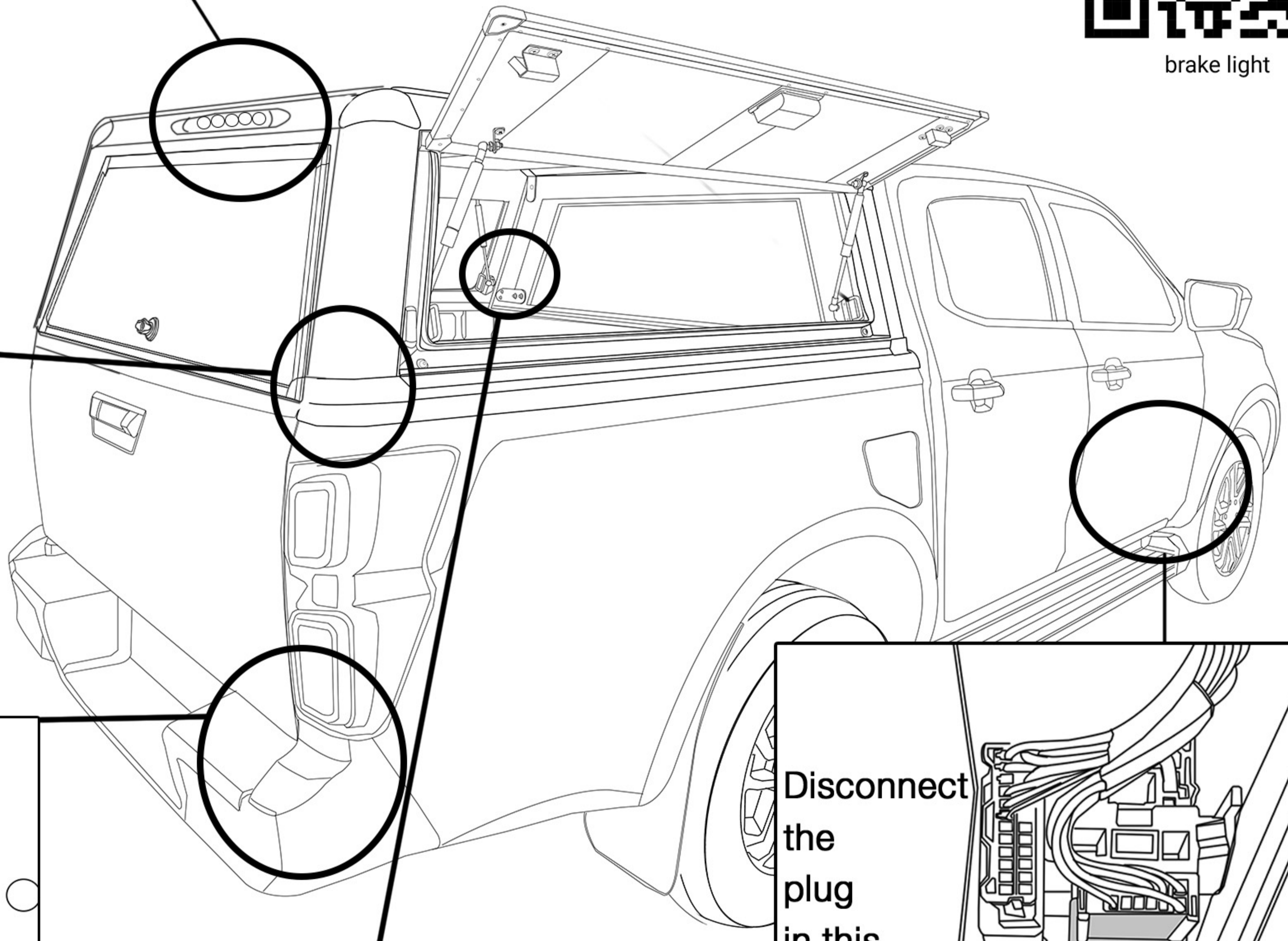
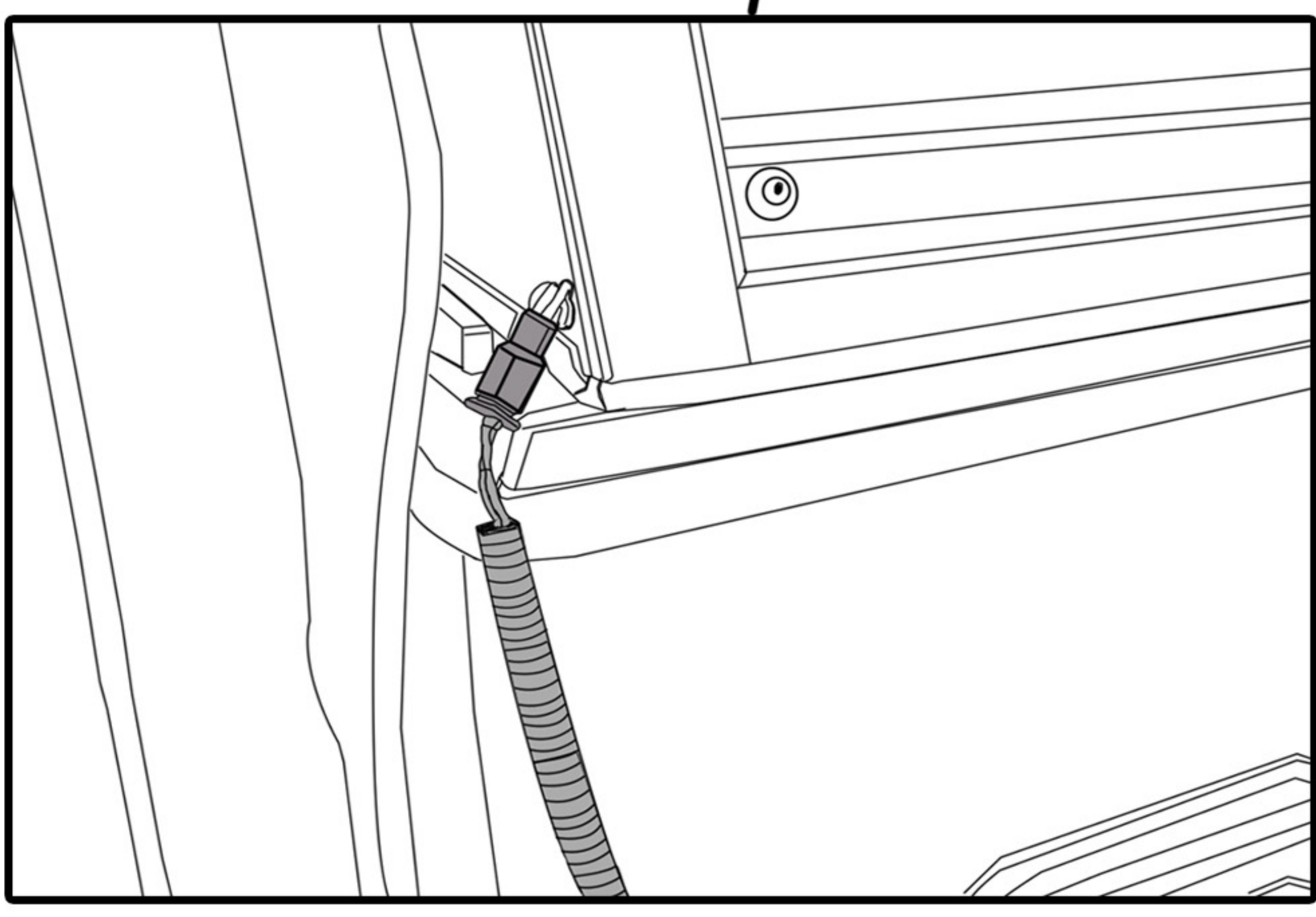
brake light



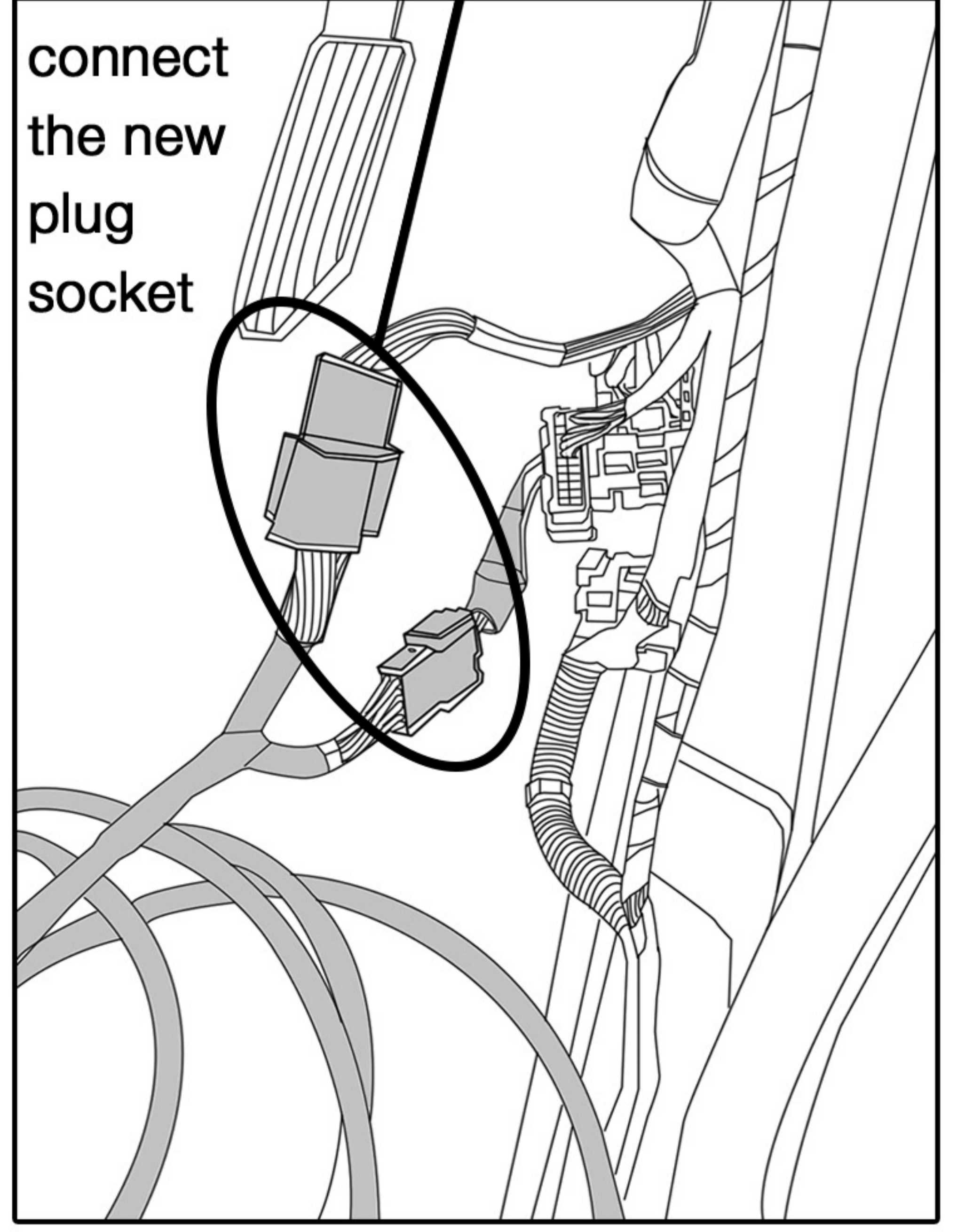
connect brake light



Connecting central lock harness



Disconnect the plug in this position



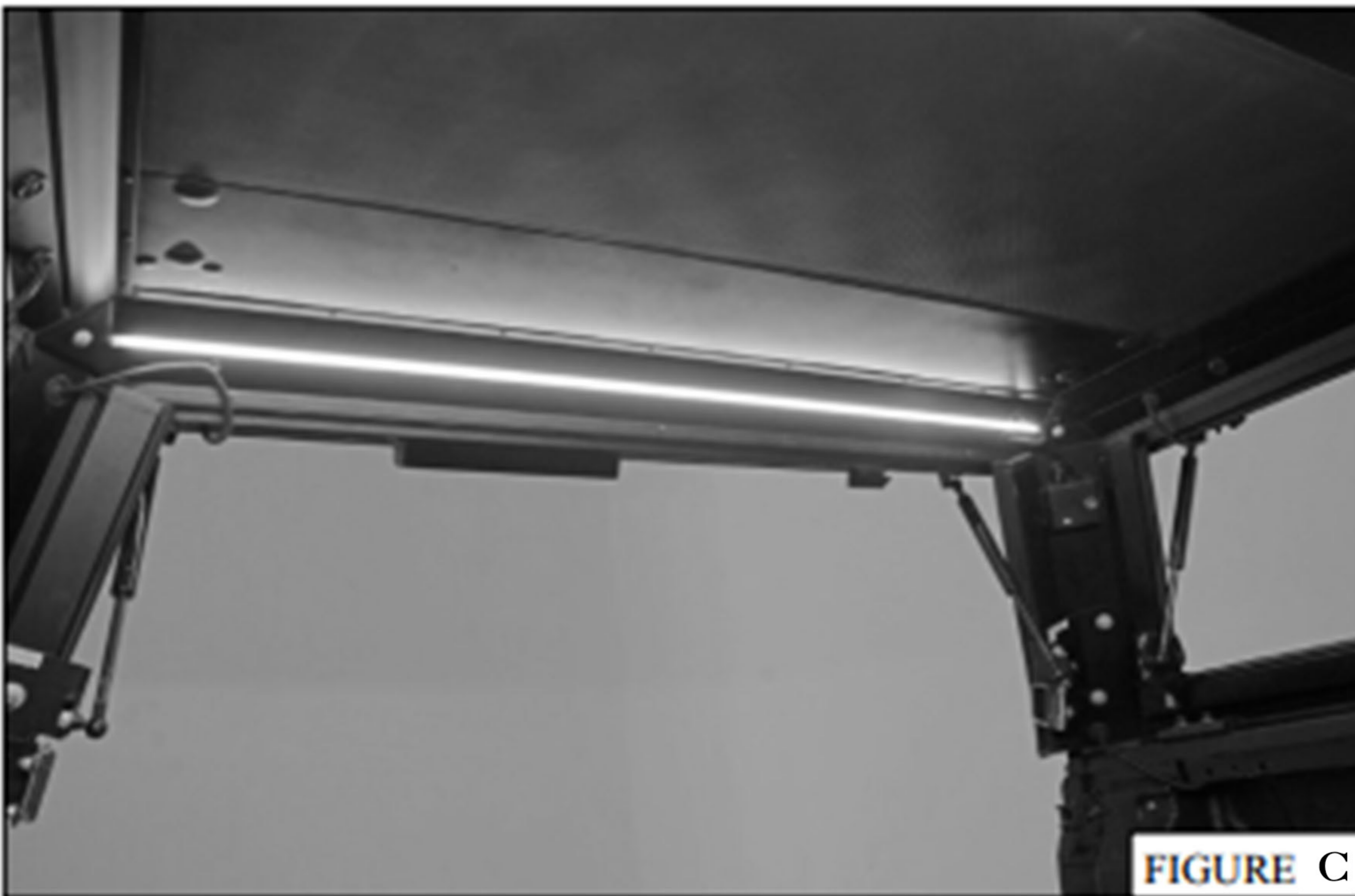
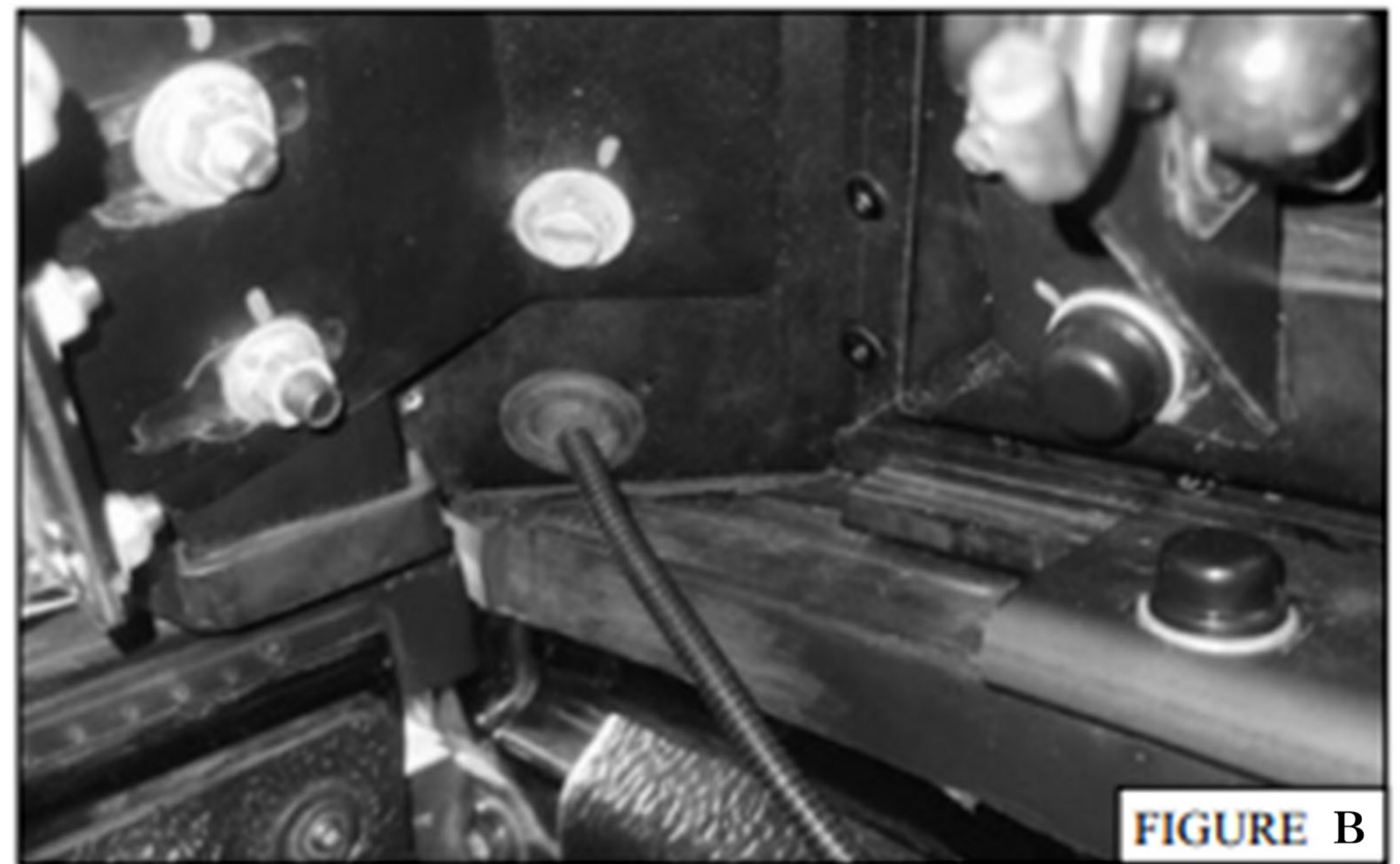
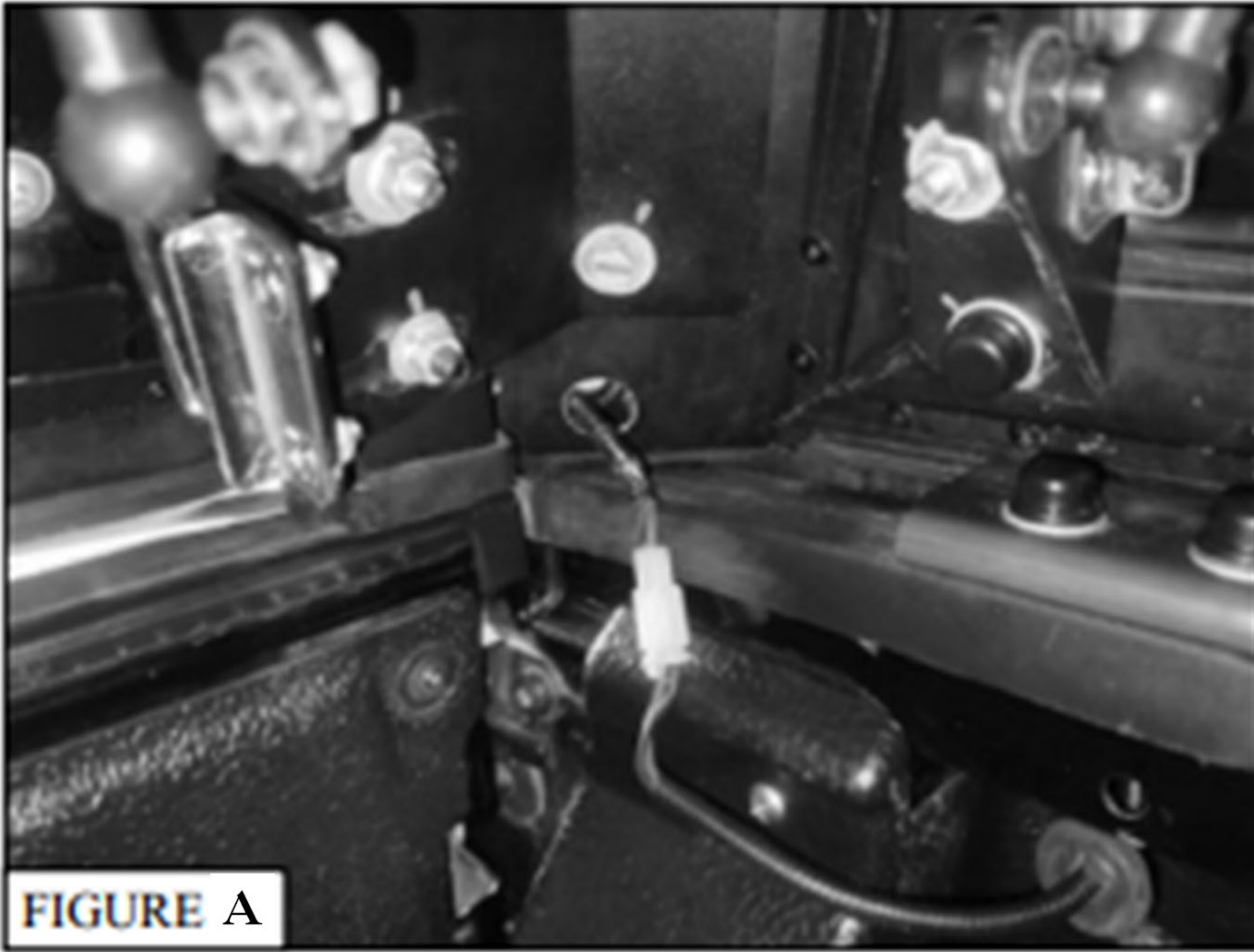
connect the new plug socket

LED INTERIOR LIGHT

Plug the provided Interior Light Harness at the connector coming from the rear driver side of the topper (Fig A). Tuck the harness into the topper using the rubber grommet (Fig B). The other end of the harness will need to go to the vehicle's battery. Route the harness underneath the vehicle, make sure to avoid any moving parts or exhaust components.

An auxiliary light and key set are include in the packaging.

The installation of your is complete, enjoy your new cap!



interior lights wire

