

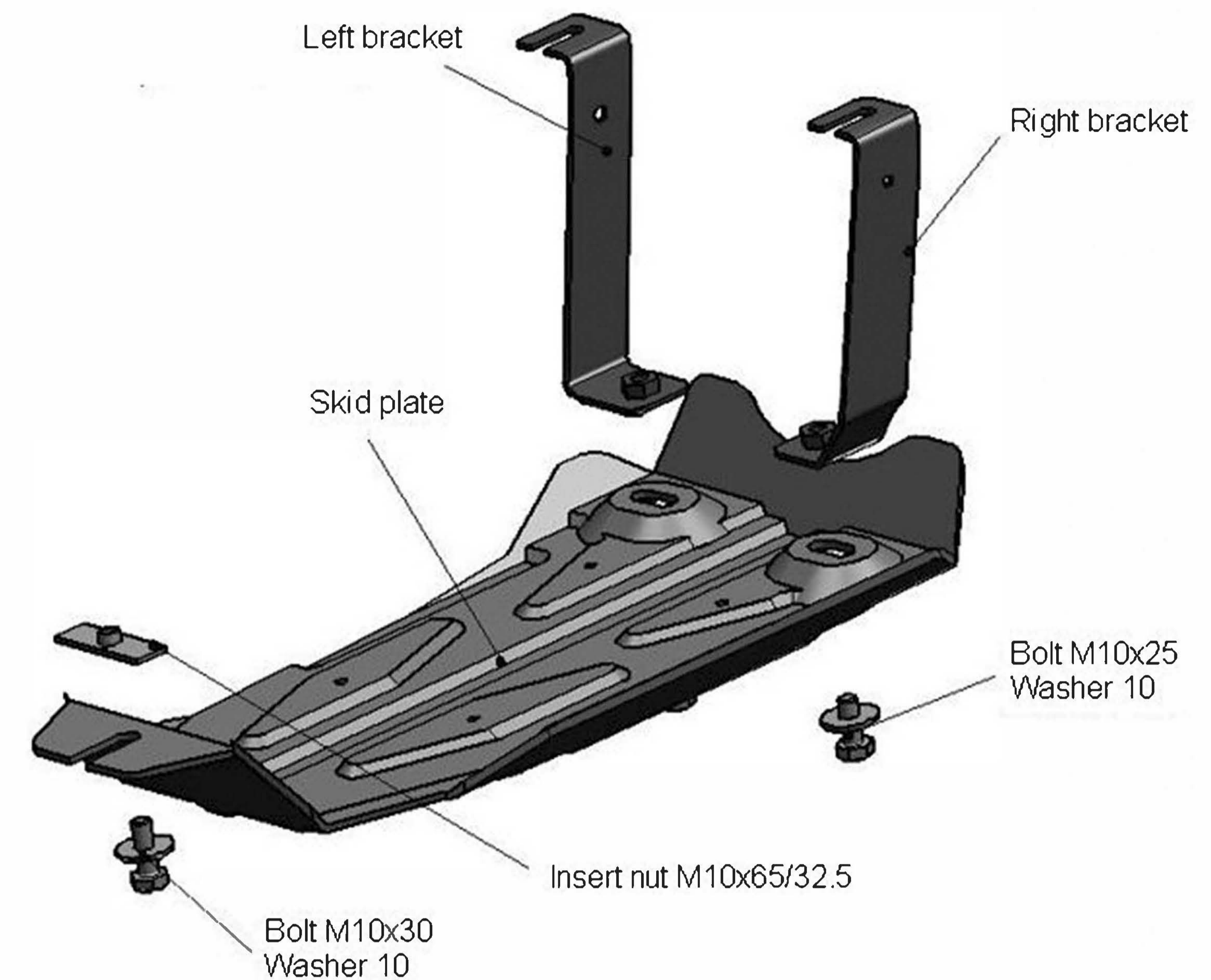
*For more info about compatibility with other models
please see the sticker on the skid plate

RENAULT DUSTER / NISSAN TERRANO

No.:	4719.1 Differential 4WD
Year:	2011-2015; 2015-2021; 2021-2024 / 2014-2016; 2016-2022
Engine:	1.6; 2.0; 1.5dCi / 1.6; 2.0
Transmission:	All

FITTING KIT

1. Bolt M10x25.....	2 pc
2. Bolt M10x30.....	1 pc
3. Washer 10.....	3 pc
4. Insert nut M10x65/32.5.....	1 pc
5. Left bracket.....	1 pc
6. Right bracket.....	1 pc



INSTALLATION INSTRUCTIONS

1. Place insert nut M10x65/32.5 above aperture in rear bar, then screw bolt M10x30 into it.
2. Screw 2 bolts M8 out of rear fittings of fuel tanks, and place brackets on them.
3. Place rear end of skid plate on mounted bolt M10x30, then fix its front end to mounted bracket with bolts M10x25.
4. Tighten all screws (50 Nm for M10, 30 Nm for M8, 10 Nm for M6). Do not use pneumatic or power tools to tighten.

IMPORTANT: Skid Plate installations should only be done by a qualified person and it is the responsibility of this person to ensure correct fitment.



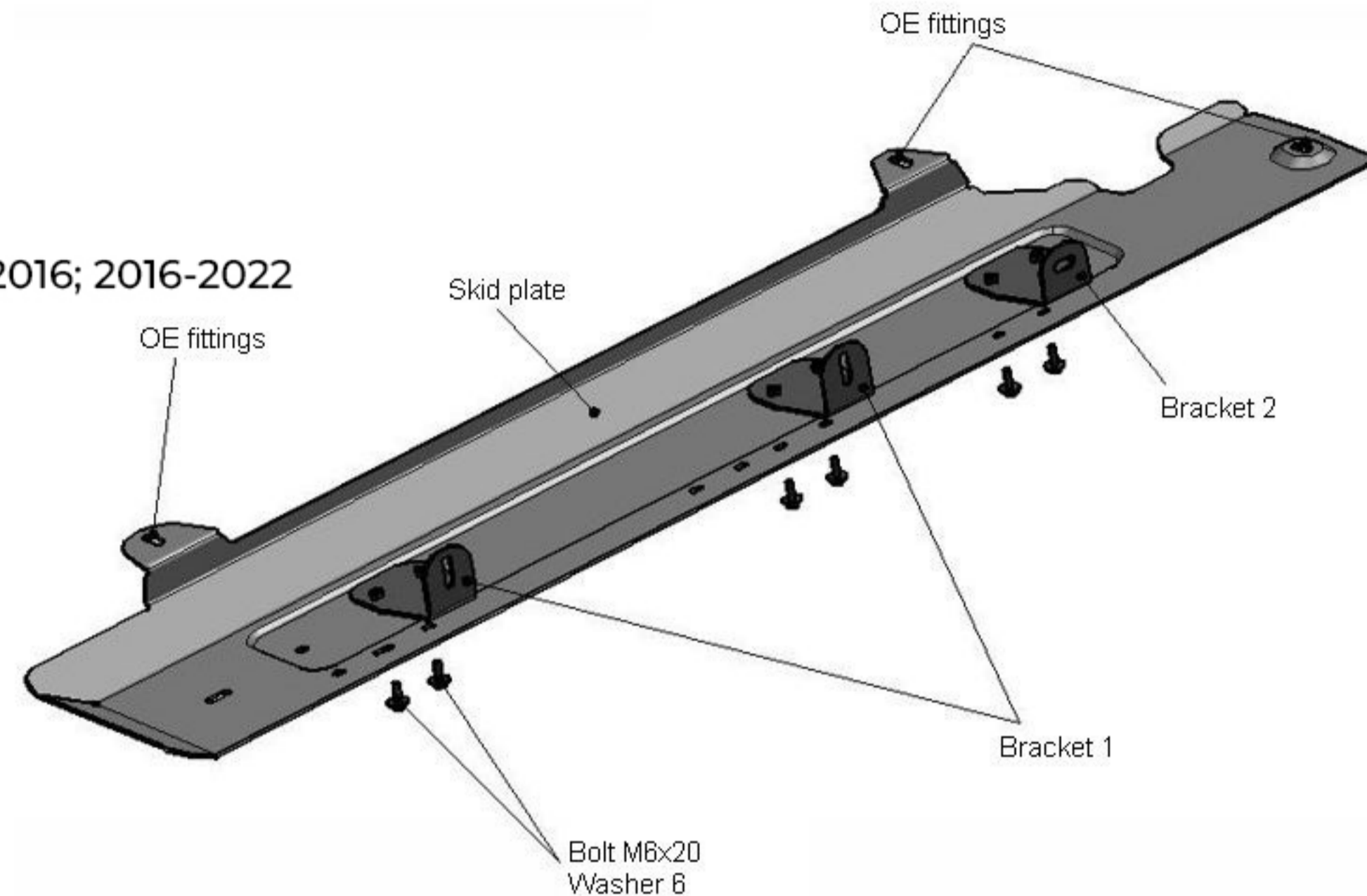
WWW.RIVAL4X4.COM

RENAULT DUSTER / NISSAN TERRANO

No.: 4716.1 Fuel pipes
Year: 2011-2015; 2015-2021; 2021-2024 / 2014-2016; 2016-2022
Engine: 1.6; 2.0; 1.5dCi / 1.6; 2.0
Transmission: MT / AT

FITTING KIT

1. Bolt M6x20.....	6 pc
2. Washer 6.....	6 pc
3. Bracket 1.....	2 pc
4. Bracket 2.....	1 pc



INSTALLATION INSTRUCTIONS

1. Remove OE guards.
2. **Renault Duster 2011-2015 / Nissan Terrano:** fix brackets 1 and 2 to OE brads with OE fittings. Do not tighten yet.
Renault Duster 2015-: fix brackets 1 to OE brads with OE fittings. Do not tighten yet.
3. Fix front end of skid plate to OE threaded aperture with OE fittings. Fix right side of skid plate to mounted brackets with bolts M6x20. Fix left side to OE brads with OE fittings.
4. Tighten all screws (50 Nm for M10, 30 Nm for M8, 10 Nm for M6). Do not use pneumatic or power tools to tighten.

*For more info about compatibility with other models
please see the sticker on the skid plate

RENAULT DUSTER / NISSAN TERRANO

No.: 4718.1 Fuel tank

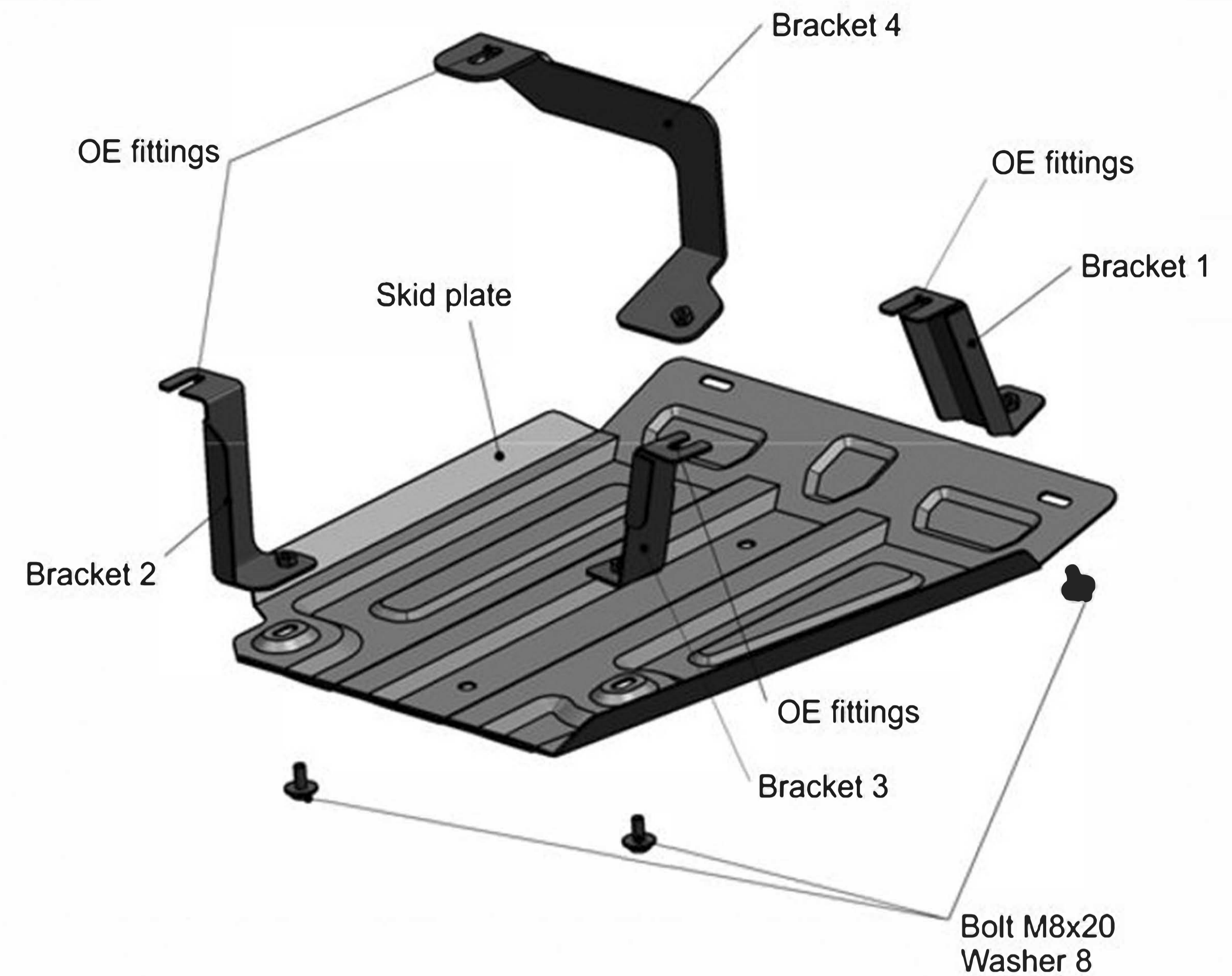
Year: 2011-2012; 2015- / 2014-2016; 2016-2024

Engine: 1.6; 2.0; 1.5dCi / 1.6; 2.0

Transmission: All

FITTING KIT

1. Bolt M8x20.....	4 pc
2. Washer 8.....	4 pc
3. Bracket 1.....	1 pc
4. Bracket 2.....	1 pc
5. Bracket 3.....	1 pc
6. Bracket 4.....	1 pc



INSTALLATION INSTRUCTIONS

1. Mount brackets into OE threaded apertures.
2. Fix skid plate to mounted brackets with bolts M8x20.
3. Tighten all screws (50 Nm for M10, 30 Nm for M8, 10 Nm for M6). Do not use pneumatic or power tools to tighten.

IMPORTANT: Skid Plate installations should only be done by a qualified person and it is the responsibility of this person to ensure correct fitment.



WWW.RIVAL4X4.COM

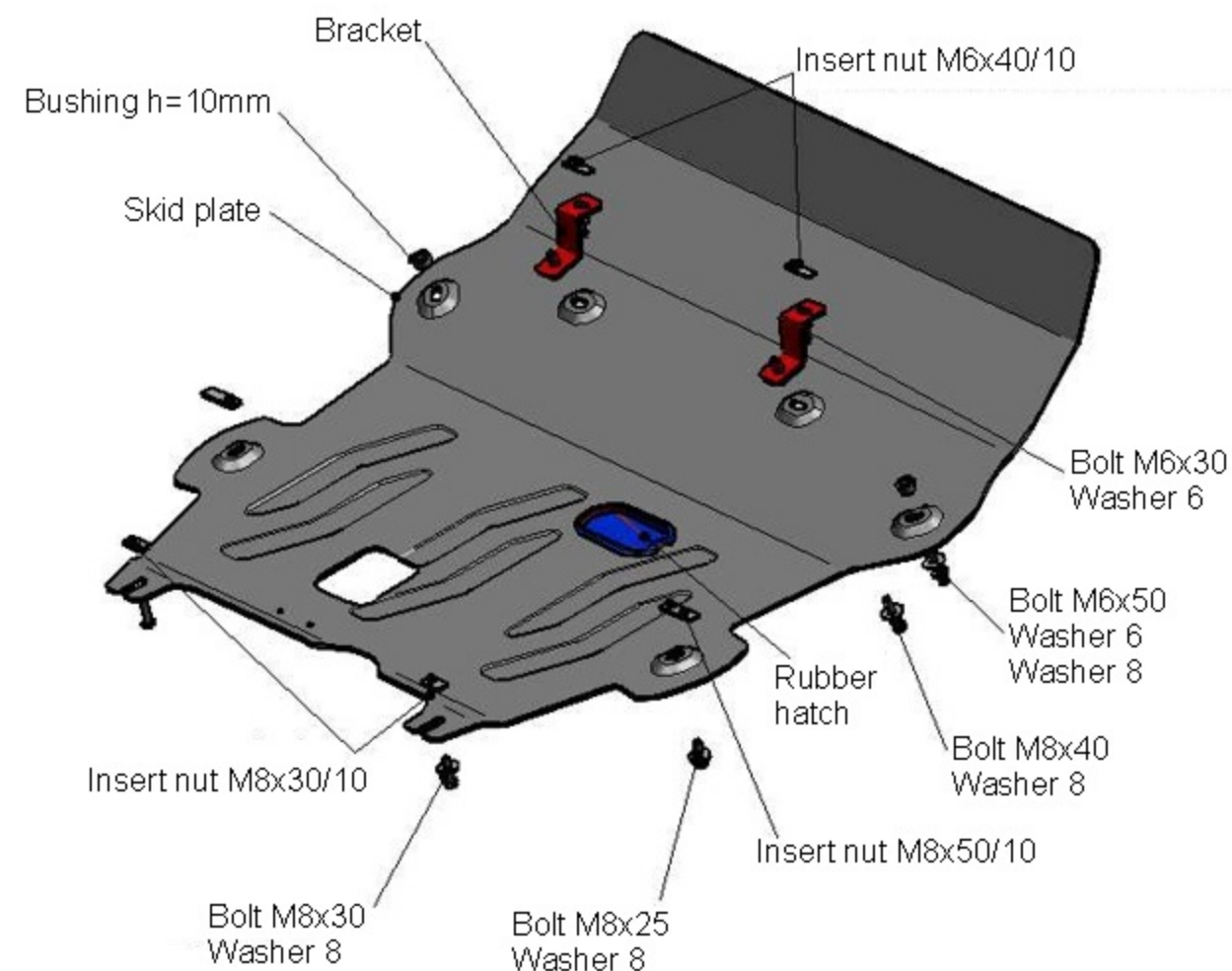
RENAUL DUSTER

No.: 4704.1 Engine block & gearbox

Body: All
Year: 2010-2017
Engine: 1.6; 2.0
Transmission: All

FITTING KIT

1. Bolt M6x30.....	2 pc
2. Bolt M6x50.....	2 pc
3. Bolt M8x25.....	2 pc
4. Bolt M8x30.....	2 pc
5. Bolt M8x40.....	2 pc
6. Washer 6.....	4 pc
7. Washer 8.....	8 pc
8. Insert nut M6x40/10.....	2 pc
9. Insert nut M8x30/10.....	2 pc
10. Insert nut M8x50/10.....	2 pc
11. Bushing h=6mm.....	2 pc
12. Bracket.....	2 pc
13. Rubber hatch.....	1 pc



INSTALLATION INSTRUCTIONS

1. Remove original plastic cover.
2. Mount insert nuts M8x30/10 above the apertures in rear part of underframe, then screw bolts M8x30 into them.
3. Mount insert nuts M8x50/10 above the apertures in side part of underframe.
4. Mount insert nuts M6x40/10 above the apertures in front part of underframe, then fix brackets to them with bolts M6x30.
5. Place rear end of skid plate on mounted bolts M8x30, then fix its front end to original threaded apertures with bolts M6x50 through bushings h=10mm. Also fix front end of skid plate to mounted brackets with bolts M8x40. Fix the middle part of skid plate to mounted insert nuts M8x50/10 with bolts M8x25.
6. Tighten all screws (50 Nm for M10, 30 Nm for M8, 10 Nm for M6). Use of pneumatic tools is prohibited.