

INSTALLATION MANUAL

PRODUCT: FRONT ALUMINUM BUMPER

MODEL: TOYOTA LC200 (2006-2015)

PART NO: 2D.5724.1-NL



CAUTION!

To reduce the risk of serious injury or damage, please read and understand all instructions and procedures before attempting to install or use this product. Safety glasses must be worn at all times during installation or maintenance of this product. Ensure all mounting bolts are tensioned after 400 km and periodically thereafter.

NOTICE

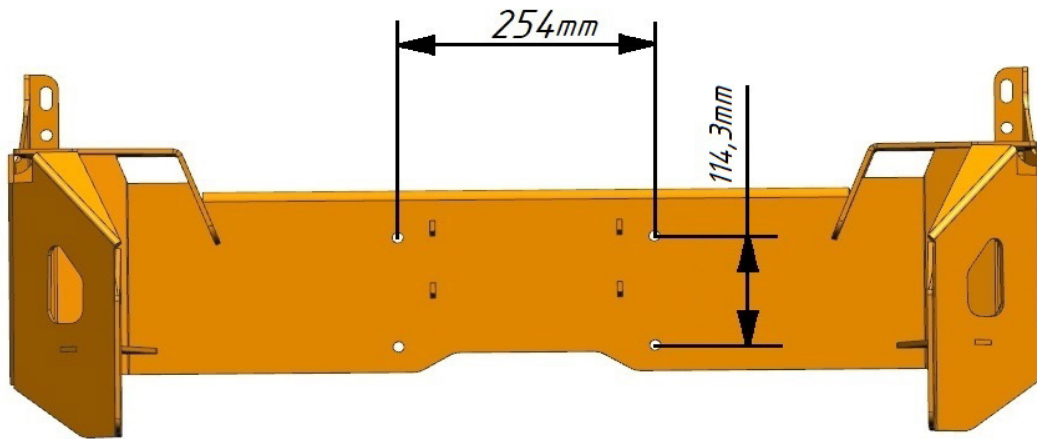
Whilst the bumper adds additional protection to your vehicle, precautionary measures still need to be taken to avoid damage. Always drive to the conditions and your surroundings.

ADR69 COMPATIBLE
AIR BAG COMPLIANT

*WINCH INSTALLATION

A winch with a pull capacity of up to 12000 lbs can be installed with the RIVAL Bumper. It is not advisable to exceed this pulling capacity since damage, injury or death may occur where the 12000 lbs recommended capacity is exceeded.

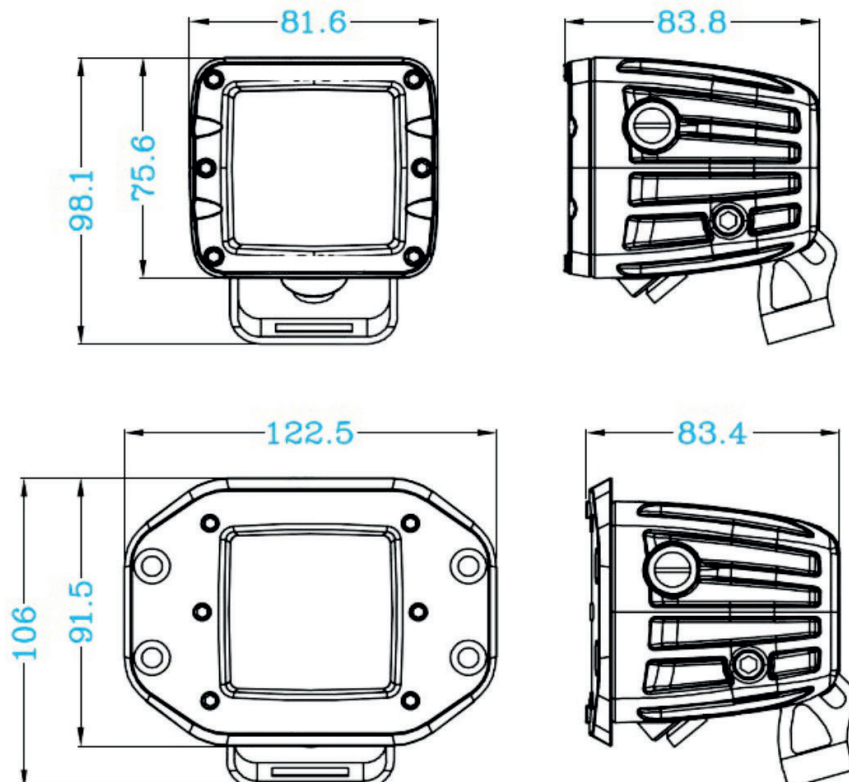
Winch measurements:



Winch size limits:

L 600 x W 240 mm x H 185 mm

COMPATIBLE LIGHTS



FRONT BUMPER



Part number 2D.5724.1-NL

Suited to vehicle: TOYOTA LC200 (2006-2015)

Material: Aluminum / Steel

Compatibility: RIVAL 5713.2 Skid Plate Toyota LC200 engine



SAFETY NOTICE

* The RIVAL Bumper is designed to compliment the use and design of the specified vehicle under conditions specified by the vehicle manufacturer.

* While driving the vehicle at any speed, collision with any other vehicle, animal or object must always be avoided.

* Following any collision with any other vehicle, animal or object, the RIVAL Bumper and the vehicle must be inspected by a specialized or suitably qualified vehicle repairer for possible damage to the components and assemblies in order to confirm suitability for further use of the vehicle.

* It is strongly recommended that you do not operate a vehicle with a damaged bumper or its components. In the case of damage, please contact the nearest RIVAL dealer. Vehicle, or where the bumper has been damaged, is extremely dangerous and must be avoided at all cost.

* The operation of a vehicle where the bumper is not properly attached and fastened to the vehicle, or where the bumper has been damaged, is extremely dangerous and must be avoided at all cost.

* It is recommended that you carry out regular inspections of all the bumper elements such as all bolts, wires, connectors.

* A winch with a pull capacity of up to and including 12000 lb can be installed with the RIVAL Bumper. It is not advisable to exceed this pulling capacity since damage, injury or death may occur where the 12000lb recommended capacity is exceeded. The Rival bumper provides standard 4 1/2"x10" mounting holes.

INSTALLATION NOTICE

* Personal safety during the installation process must be adhered to at all times.

* Estimated time for installation: 4 hours.

* The RIVAL Bumper must be mounted and affixed to the vehicle according to this installation manual and the use of personal safety equipment is highly recommended.

* Do not install this bumper on vehicle models other than those allowed in this manual.

* Check state and local highway safety laws regarding permitted bumper types and heights.

NOTE: if the bumper is to be color coded it is advised to test fit before color coding. RIVAL is not liable for color coding cost, it is the installers' responsibility to check the fitment and alignment before color coding.

ADR69 AND AIR BAG SYSTEM

The Rival bumper has been tested and certified to be compatible with ADR69 and will not affect the operation of the Air bag System on this vehicle. This product or mounting brackets must not be modified in any way, and must be fitted in accordance with the installation instructions.

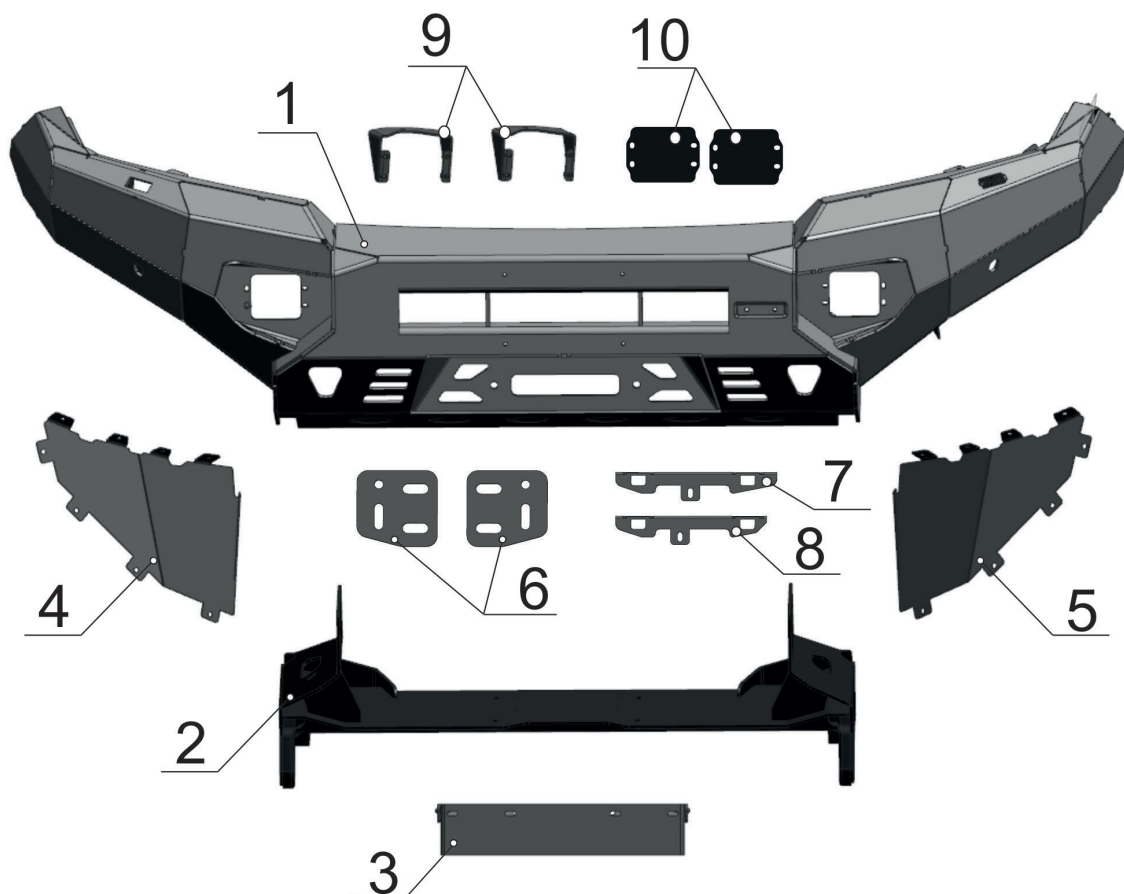
REQUIRED TOOLS

- * Basic tool kit
- * Torque wrench
- * Crosspoint and flat head screwdriver

TORQUE SETTING

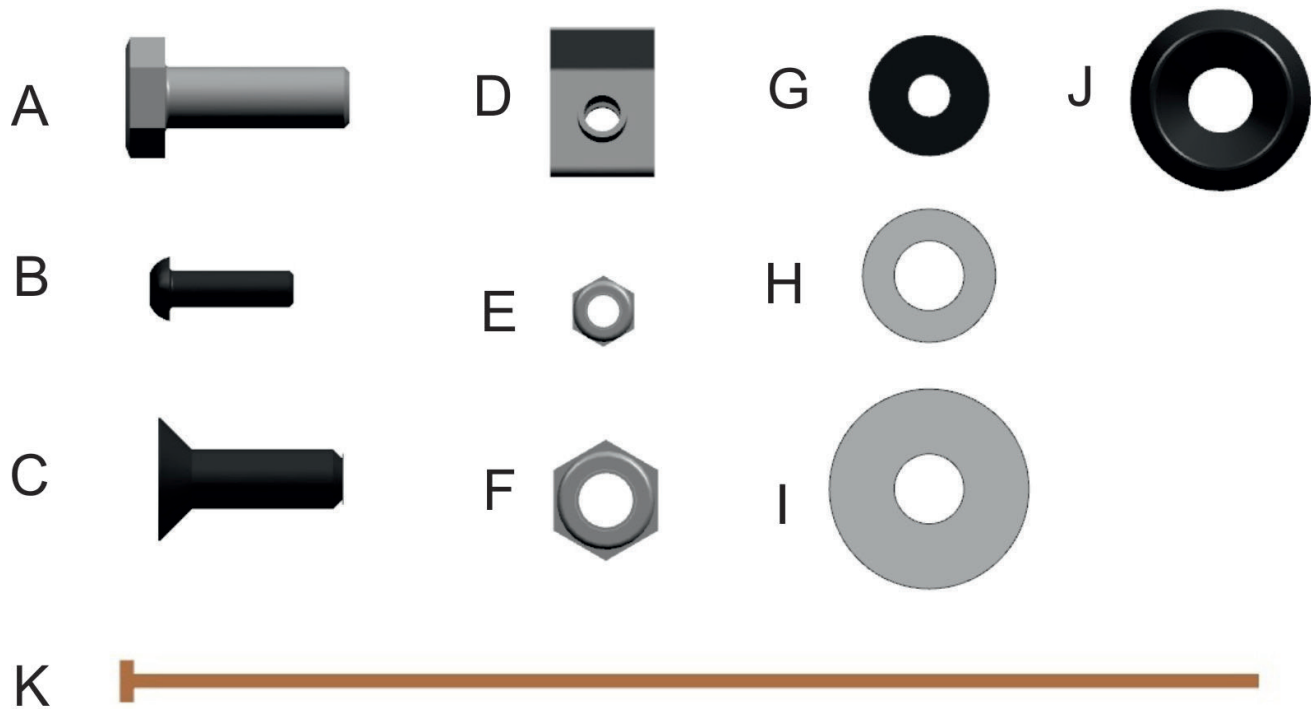
- * M6 - 9 N·m
- * M10 - 30 N·m
- * M12 - 77 N·m

PARTS LISTING



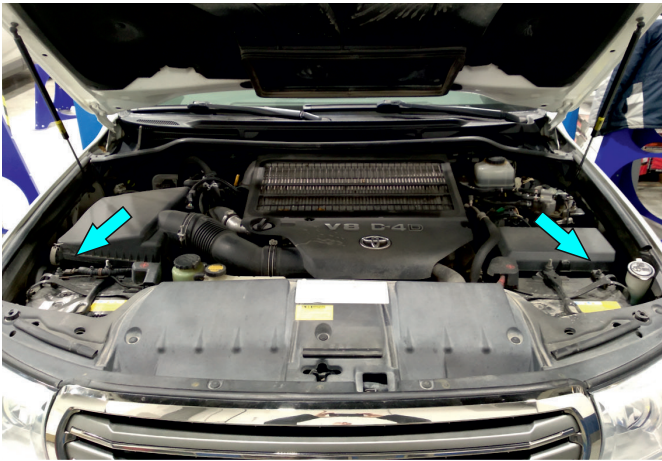
1. Aluminum bumper body..... Qty 1	6. Lower bracket..... Qty 2
2. Winch bracket..... Qty 1	7. Grille bracket left..... Qty 1
3. License plate bracket..... Qty 1	8. Grille bracket right..... Qty 1
4. Flap right..... Qty 1	9. LED bracket..... Qty 2
5. Flap left..... Qty 1	10. LED light cap..... Qty 2

PARTS LISTING

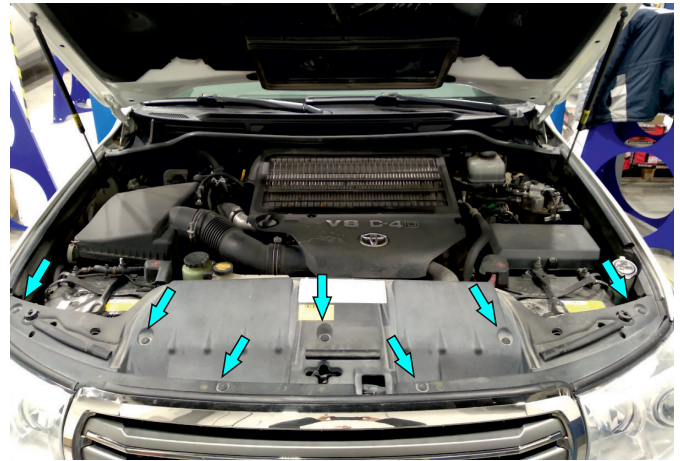


A. Bolt M10x30.....	Qty 6	G. Washer penny 6.....	Qty 40
B. Screw M6x20 round-head.....	Qty 28	H. Washer 10.....	Qty 4
C. Screw M10x30 countersunk-head.....	Qty 4	I. Washer penny 10.....	Qty 12
D. U-nut M6.....	Qty 16	J. Countersunk washer.....	Qty 4
E. Nut M6.....	Qty 12	K. Cable tie.....	Qty 10
F. Nut M10.....	Qty 10		

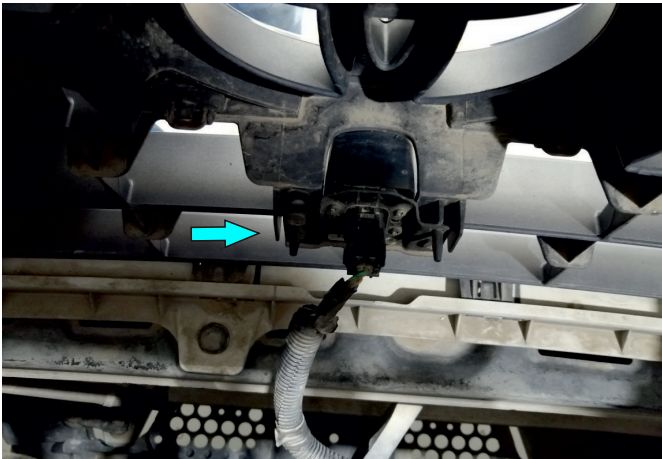
Preparation for installation



1. Open the hood. Disconnect terminal "-" from the vehicle battery.



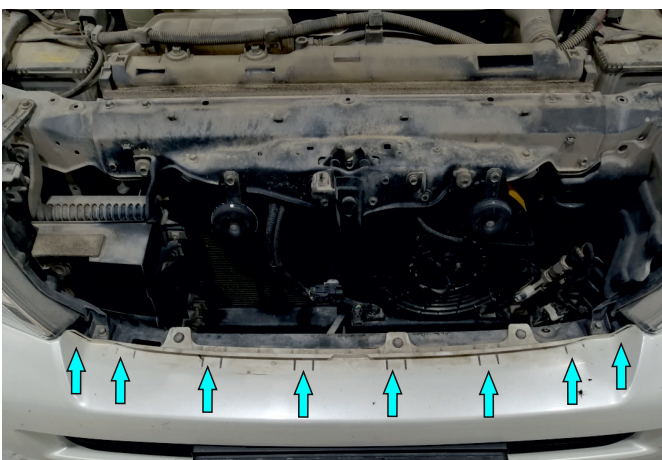
2. Remove the plastic pad clip. Dismantle the clip.
* Set aside for re-use later on.



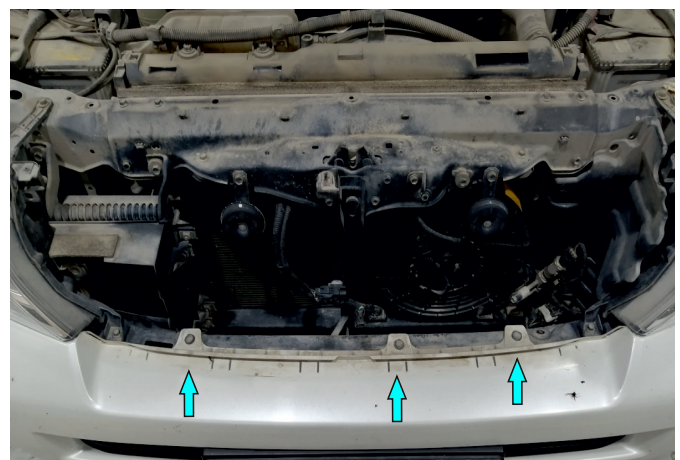
3. Remove grill connector.
* Set aside for re-use later on.



4. Remove upper grille retaining screws.
* Set aside for re-use later on.



5. Remove grille from bumper by carefully releasing locking tabs whilst removing.



6. Remove all clips, holding bumper with body, under the grille.



7. Disconnect all the cables from the bumper and washer hose, clamp off the washer hose before, to prevent leak of liquid.



8. Unscrew screws on the sides of the bumper.



9. Remove lower bumper retaining screws.



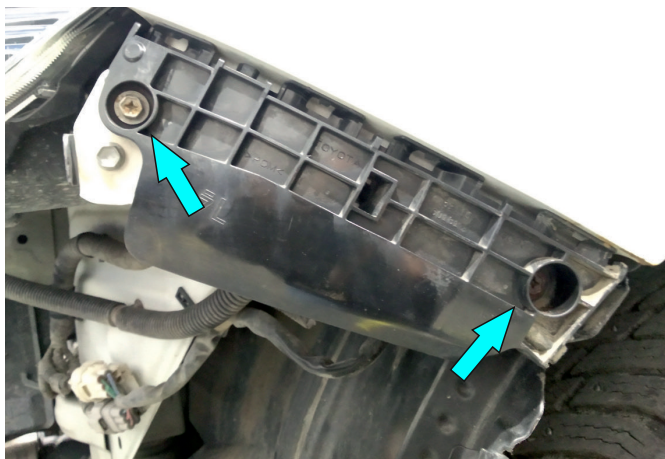
10. Remove 2 bumper retaining screws out of middle part of the bumper.



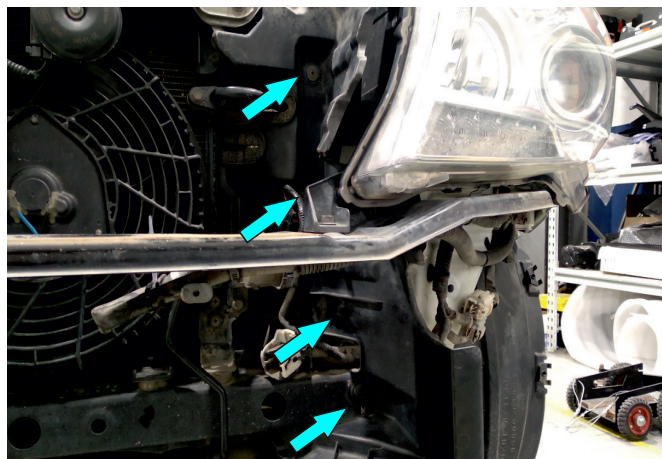
11. Remove 3 screws retaining bumper along inside edge of wheel arches on each side of the vehicle.



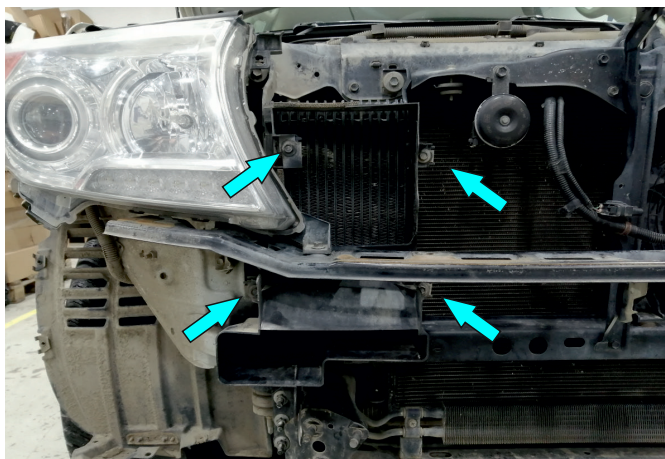
12. Carefully remove bumper from vehicle by pulling on each side of the bumper near the wheel arches.



13. Unscrew 2 screws and remove plastic side fittings on each side.



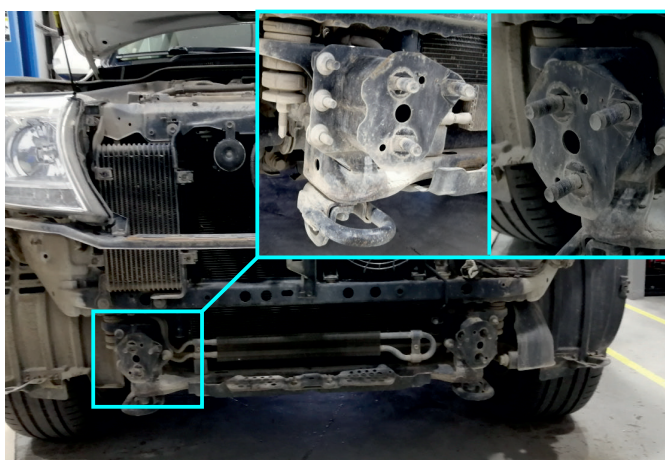
14. Unscrew fitting screws of the deflector and remove it.



15. Unscrew fitting screws of the deflector and remove it.



16. Remove damper. Unscrew 3 screws on each side and remove beam.



17. Unscrew 4 nuts on each side of the beam brackets and remove them.
* Set aside for re-use later on.

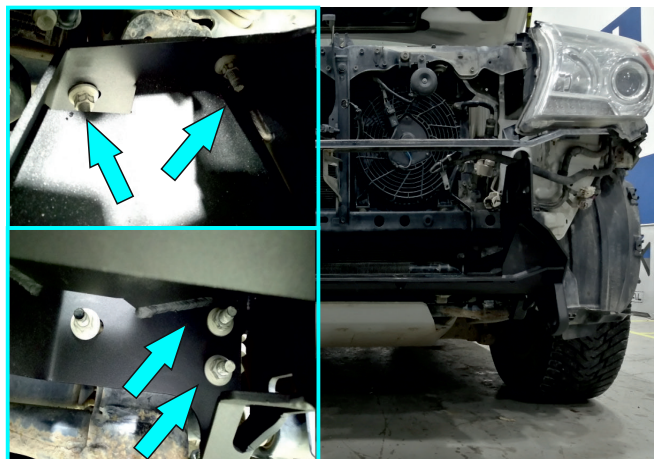


18. Unscrew 2 bolts and remove towing eye on each side.

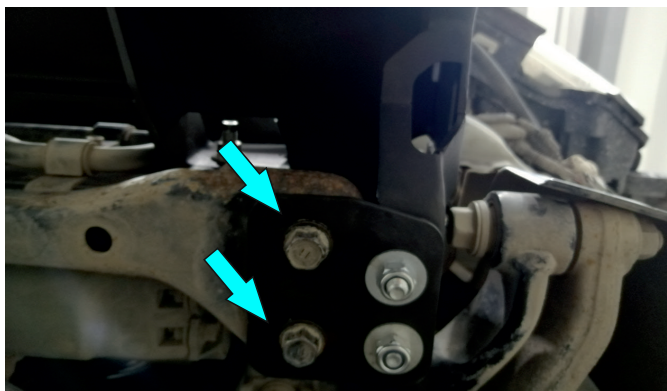
Winch bracket installation



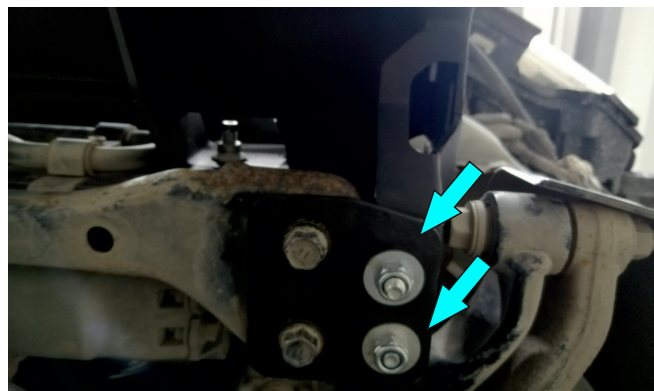
19. Mount winch bracket (pos. 2).



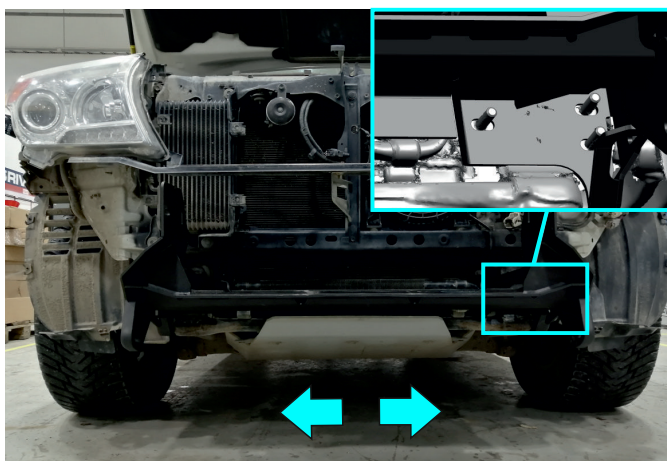
20. Attach winch bracket using OE nuts.
* Do not tighten yet.



21. Attach lower brackets (pos. 6) on each side.
Fix brackets using OE bolts of towing eyes.
* Do not tighten yet.



22. Attach brackets using bolts M10x30 (pos. A), nuts M10 (pos. F), washers 10 (pos. H) and washers penny 10 (pos. I)



23. Align the winch bracket in the center relative to the right and left sides.

Tighten all the hardware that attaches winch brackets.

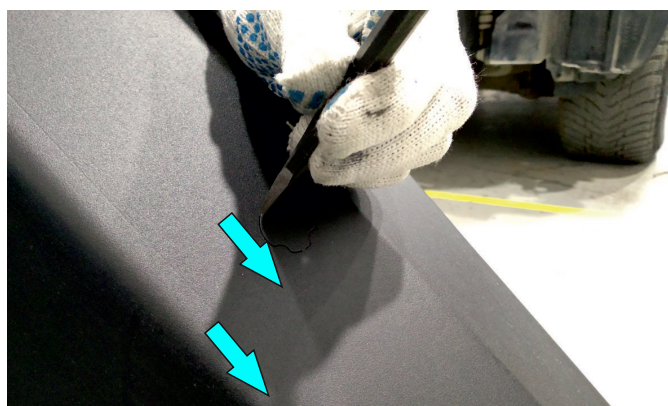
Parking sensors installation



25. Disconnect the plug from the parking sensor.



26. Remove parking sensors from factory bumper.



27. Locate knock-outs for parking sensors on the bumper body (pos. 1) and knock them out by a hammer.

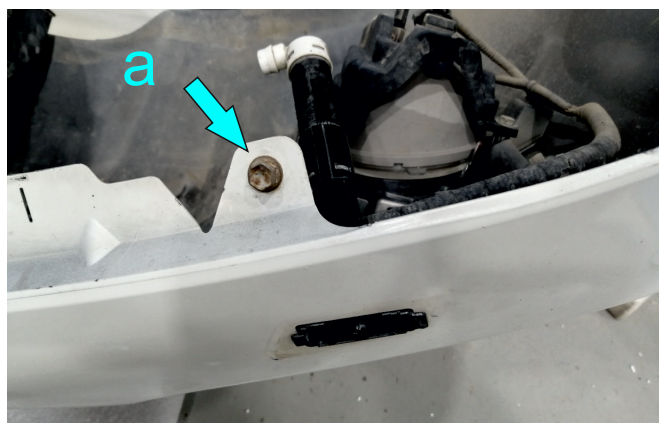


28. Install parking sensors into aluminum bumper body (pos.1).

Headlight washer installation



29. Disconnect the hose from the headlight washer.

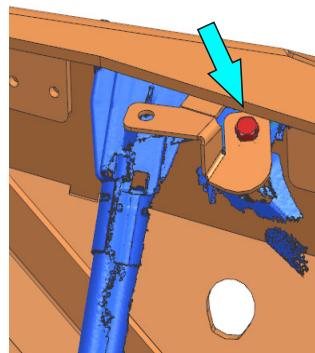


30. Unscrew the screw (a). Remove headlight washer.

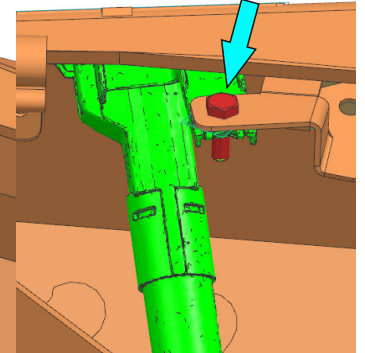


31. Locate knock-outs for headlight washers on the bumper body (pos. 1) and knock them out by a hammer.

LC200 (2007-2012)



LC200 (2012-2015)

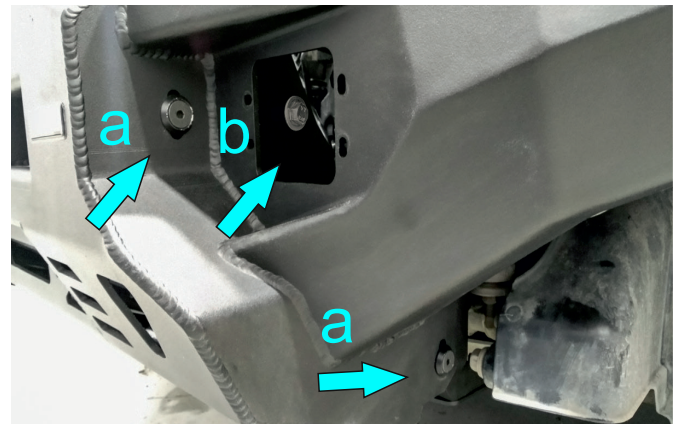


32. Install the headlight washer using OE fasteners and a bumper mount suitable for your headlight washer.

Aluminum bumper body installation



33. Install bumper body (pos. 1) onto the winch bracket (pos. 2).

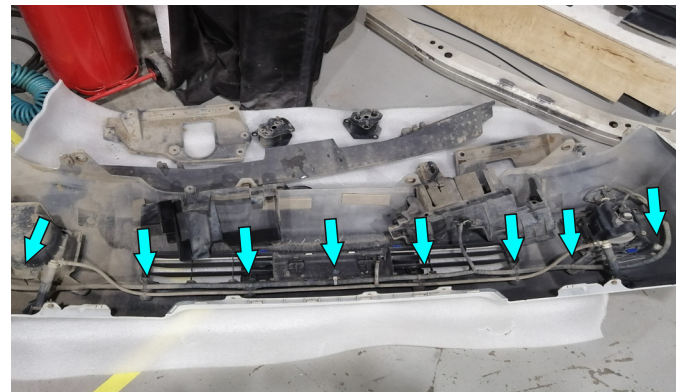


34. Fix bumper body using:

- a - screws M10 (pos. C), countersunk washer (pos. J), washers penny 10 (pos. I), nuts M10 (pos. F);
- b - bolts M10 (pos. A), washers penny 10 (pos. I) and nuts M10 (pos. F).

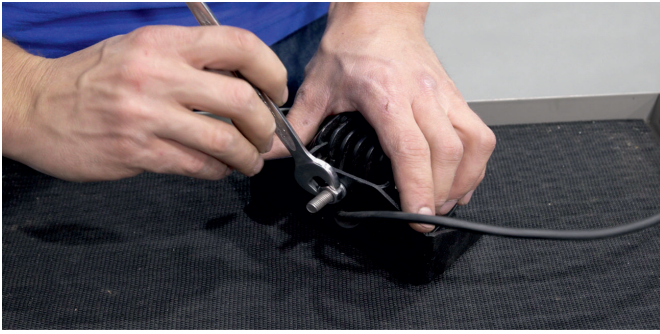


35. Align the bumper body with the vehicle. Tighten all the hardware.



36. Remove wire harnesses and hoses from the factory bumper and secure them to aluminum bumper body, using cable ties (pos. K).

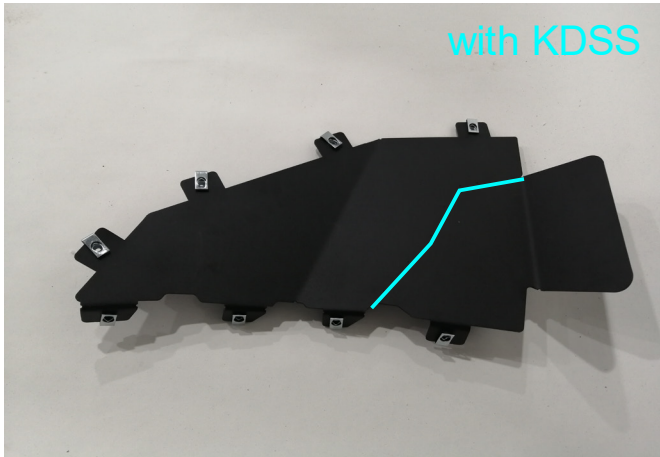
INSTALLATION PROCEDURE



37. Fix your aftermarket LED cubic lights to brackets (pos.9). These brackets are not compatible with flush mount LED lights (part number 2D.0041.1, purchased separately).

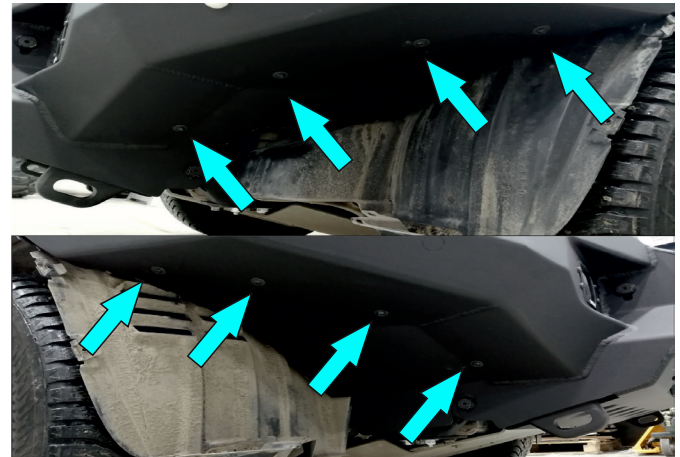


38. Install LED lights or LED Light caps (pos. 10), using screw M6 (pos. B), washer 6 (pos. G) and nut M6 (pos. E).



39. Instal caged nuts (pos. D) onto the flaps (pos. 4, 5).

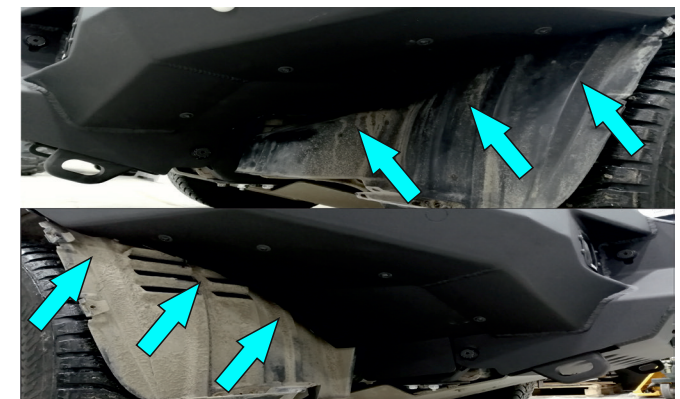
If the vehicle is equipped with KDSS, cut off the left flap (pos.5) at the markings on the flap.



40. Install flaps (pos. 4, 5) using screws M6x20 (pos. B) onto the bumper body (pos. 1) on each side.



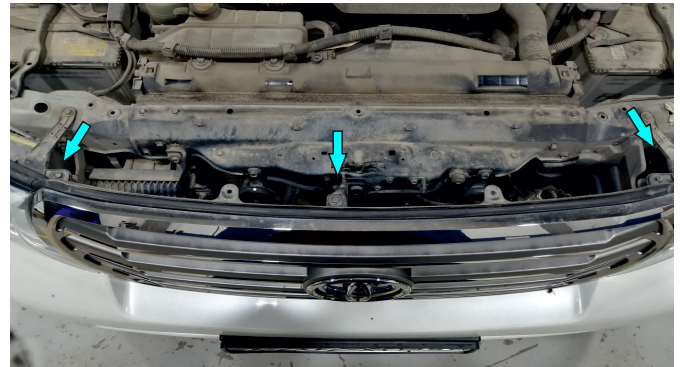
41. Push the flap to plastic fender and mark future cutting line. Cut plastic fender following the marked cutting line using jig-saw or shears.



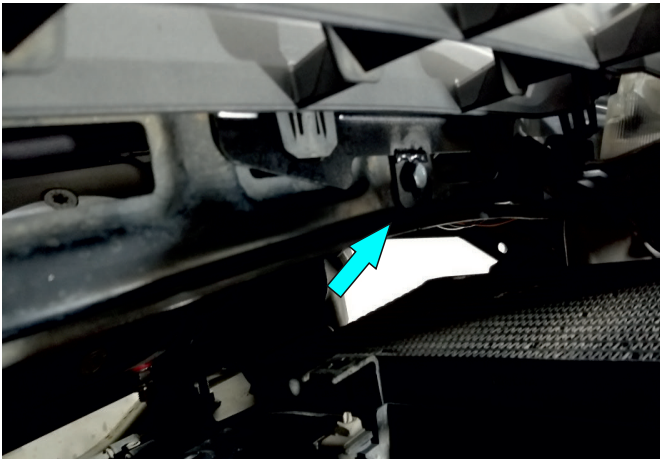
42. Mark and drill 3 holes in plastic fender in accordance with holes in flap (pos. 4, 5) on each side of the vehicle. Fix flaps and fenders using screws M6x20 (pos. B), washers 6 (pos. G).
* Fenders shown before cutting.



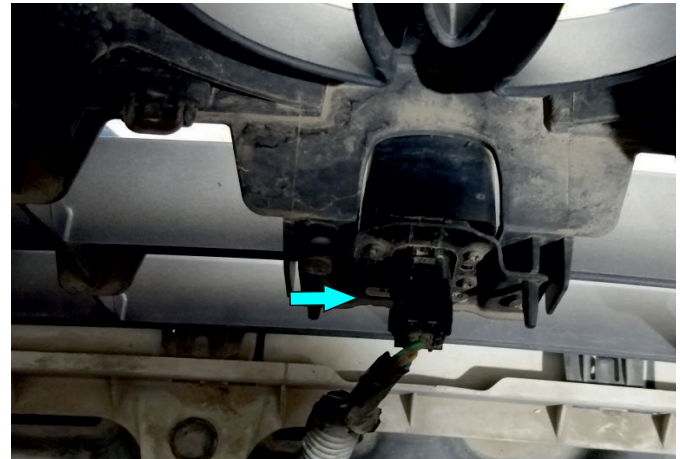
43. Instal left (pos. 7) and right grille brackets (pos. 8) on the grille.



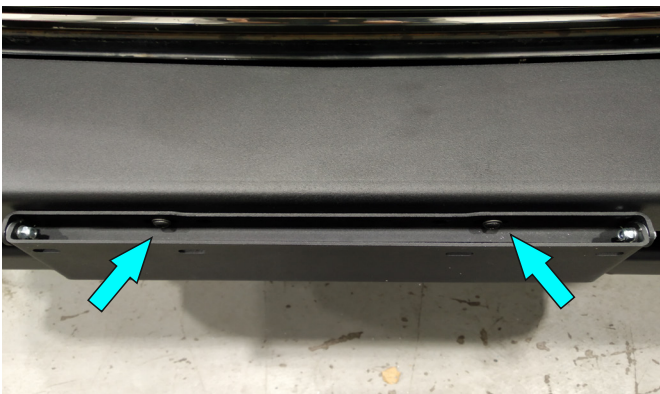
44. Mount radiator grill and fix it using OE fittings in the upper part.



45. Fix radiator grill using screws M6x20 (pos. B), washers 6 (pos. G) and nuts M6 (pos. E) in the left and right side lower part.



46. Connect camera plug.



47. Attach license plate bracket (pos. 3) to bumper body, using bolt M6 (pos. B), penny washer 6 (pos. G) and nut M6 (pos. E).



48. Connect all the wires and check it. Install plastic pad in reverse order. Connect terminal "-" of the battery.

INSTALLATION PROCEDURE



Before operating a vehicle fitted with RIVAL Bumper 2D.5724.1-NL:

- make sure all fittings are tightened
- check winch operation
- check all electrical wiring attached to lights

