

INSTALLATION MANUAL

PRODUCT: FRONT ALUMINUM BUMPER

MODEL: ISUZU D-MAX 3RD GEN (2021 - PRESENT)

PART NO: 2D.9106.1-NL



CAUTION!

To reduce the risk of serious injury or damage, please read and understand all instructions and procedures before attempting to install or use this product. Safety glasses must be worn at all times during installation or maintenance of this product. Ensure all mounting bolts are tensioned after 400 km and periodically thereafter.

NOTICE

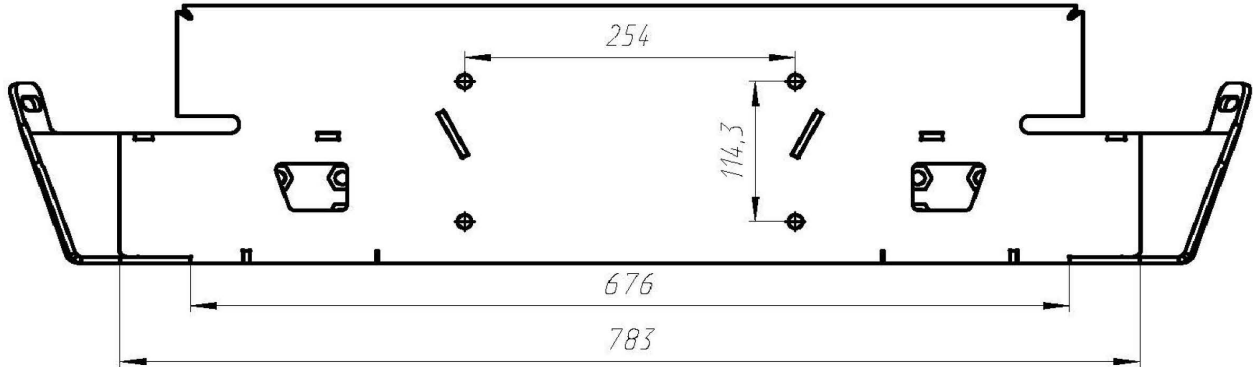
Whilst the bumper adds additional protection to your vehicle, precautionary measures still need to be taken to avoid damage. Always drive to the conditions and your surroundings.

ADR69 COMPATIBLE
AIR BAG COMPLIANT

*WINCH INSTALLATION

A winch with a pull capacity of up to 12000 lbs can be installed with the RIVAL Bumper. It is not advisable to exceed this pulling capacity since damage, injury or death may occur where the 12000 lbs recommended capacity is exceeded.

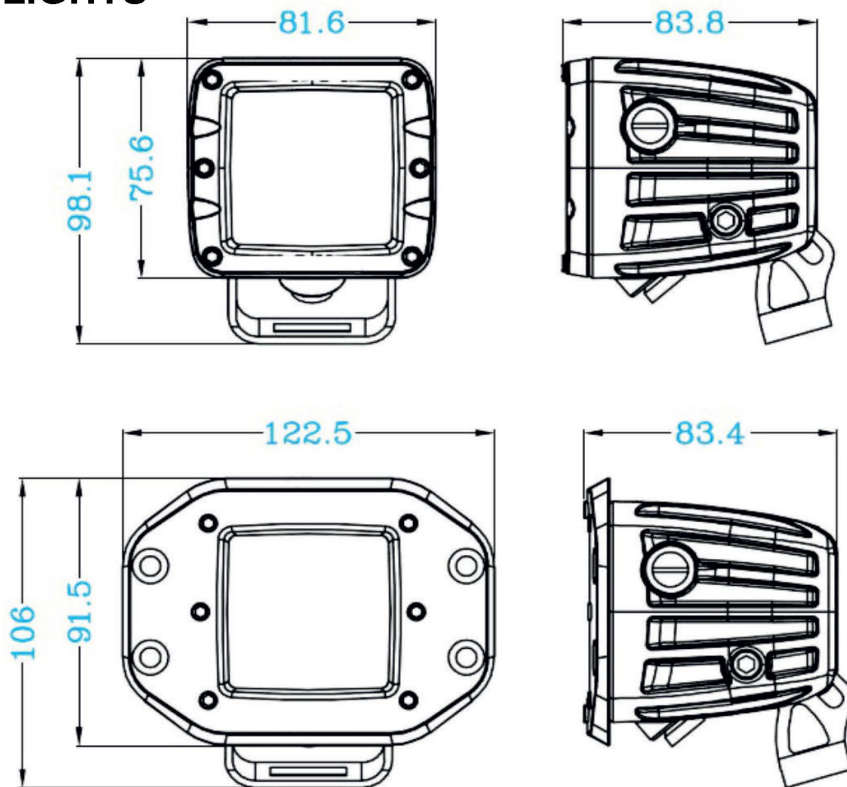
Winch measurements:



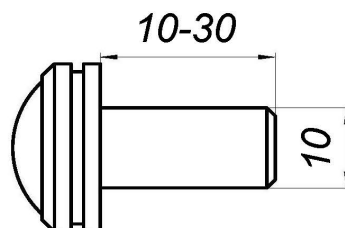
Winch size limits:

L 670 x W 190 mm x H 285 mm

COMPATIBLE LIGHTS



COMPATIBLE BLINK LIGHTS



*RECOVERY POINTS



WARNING

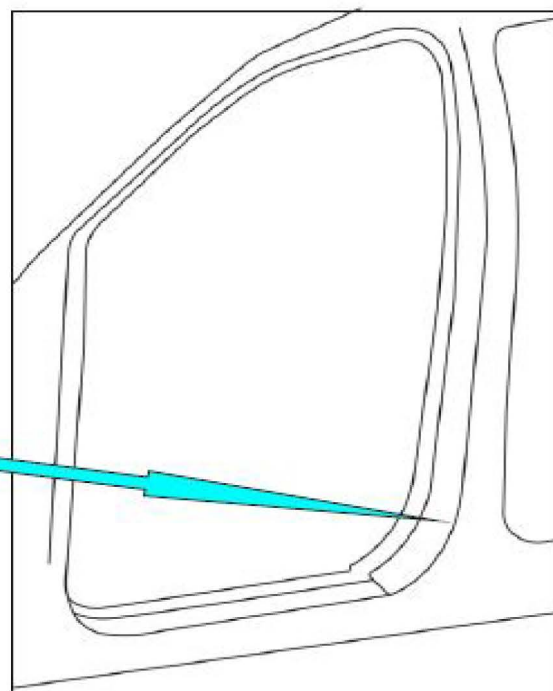
Do not exceed the Working Load Limit of these recovery points or shackle.

INSPECTION AND SAFETY

Recovery of stuck vehicles can be dangerous. Always inspect the shackle and recovery points before each use. Do not use if there are visible signs of damage or wear including cracking (or elongation). Always stay a safe distance away from the recovery area - at least 1.5 times the length of the recovery strap. Incorrect use of receivers equipment can result in serious injury or death.

Always use recovery points as a matched pair teamed with an equalising bridle during any recovery situation.

Please attach this "Warning" label to the door aperture.



FRONT BUMPER



Part number 2D.9106.1-NL

Suited to vehicle: ISUZU D-MAX 3RD GEN (2021 - PRESENT)

Material: Aluminum / Steel



SAFETY NOTICE

- * The RIVAL Bumper is designed to compliment the use and design of the specified vehicle under conditions specified by the vehicle manufacturer.
- * While driving the vehicle at any speed, collision with any other vehicle, animal or object must always be avoided.
- * Following any collision with any other vehicle, animal or object, the RIVAL Bumper and the vehicle must be inspected by a specialized or suitably qualified vehicle repairer for possible damage to the components and assemblies in order to confirm suitability for further use of the vehicle.
- * It is strongly recommended that you do not operate a vehicle with a damaged bumper or its components. In the case of damage, please contact the nearest RIVAL dealer. Vehicle, or where the bumper has been damaged, is extremely dangerous and must be avoided at all cost.
- * The operation of a vehicle where the bumper is not properly attached and fastened to the vehicle, or where the bumper has been damaged, is extremely dangerous and must be avoided at all cost.
- * It is recommended that you carry out regular inspections of all the bumper elements such as all bolts, wires, connectors.
- * A winch with a pull capacity of up to and including 12000 lb can be installed with the RIVAL Bumper. It is not advisable to exceed this pulling capacity since damage, injury or death may occur where the 12000lb recommended capacity is exceeded. The Rival bumper provides standard 4 1/2"x10" mounting holes.

INSTALLATION NOTICE

- * Personal safety during the installation process must be adhered to at all times.
- * Estimated time for installation: 4 hours.
- * The RIVAL Bumper must be mounted and affixed to the vehicle according to this installation manual and the use of personal safety equipment is highly recommended.
- * Do not install this bumper on vehicle models other than those allowed in this manual.
- * Check state and local highway safety laws regarding permitted bumper types and heights.

NOTE: if the bumper is to be color coded it is advised to test fit before color coding. RIVAL is not liable for color coding cost, it is the installers' responsibility to check the fitment and alignment before color coding.

ADR69 AND AIR BAG SYSTEM

The Rival bumper has been tested and certified to be compatible with ADR69 and will not affect the operation of the Air bag System on this vehicle. This product or mounting brackets must not be modified in any way, and must be fitted in accordance with the installation instructions.

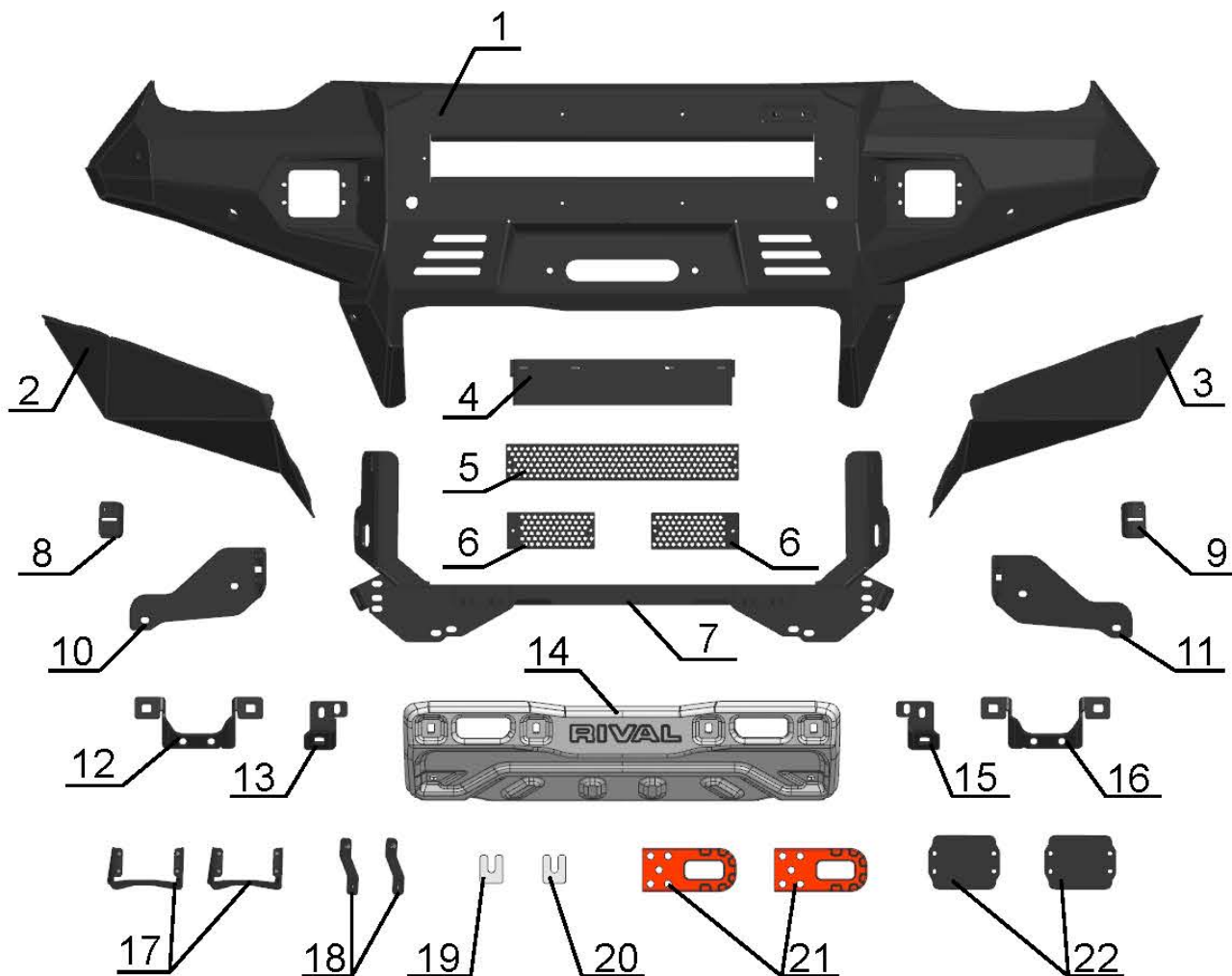
REQUIRED TOOLS

- * Basic tool kit
- * Torque wrench
- * Crosspoint and flat head screwdriver
- * Marker
- * Angle grinder
- * Drill

TORQUE SETTING

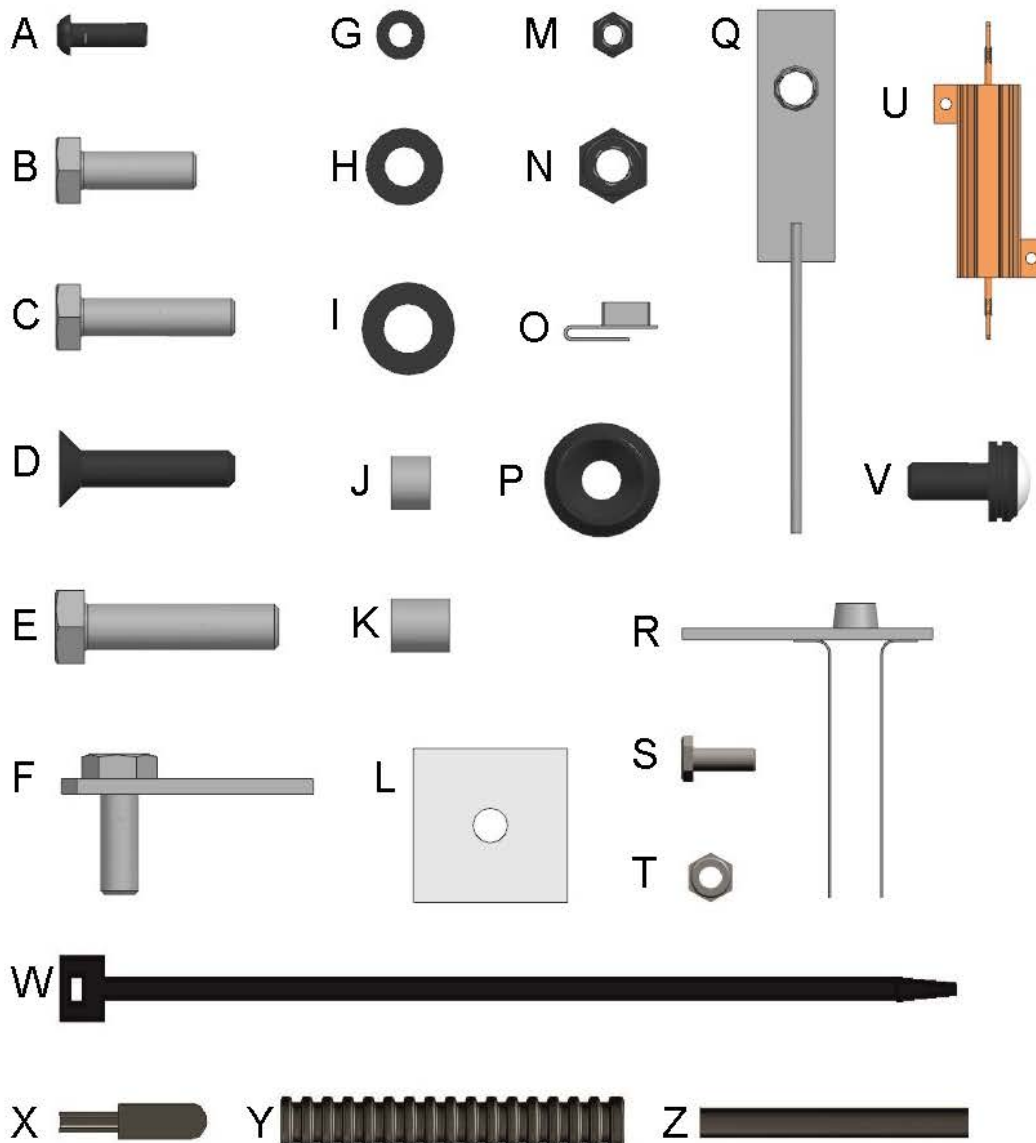
- * M6 - 9 N·m
- * M10 - 30 N·m
- * M12 - 77 N·m

PARTS LISTING



- | | |
|-------------------------------------|--|
| 1. Aluminum bumper body.....Qty 1 | 12. Front right bash plate bracket.....Qty 1 |
| 2. Flap right.....Qty 1 | 13. Rear right bash plate bracket.....Qty 1 |
| 3. Flap left.....Qty 1 | 14. Bash plate.....Qty 1 |
| 4. License plate bracket.....Qty 1 | 15. Rear left bash plate bracket.....Qty 1 |
| 5. Central grille.....Qty 1 | 16. Front left bash plate bracket.....Qty 1 |
| 6. Side grille.....Qty 2 | 17. LED bracket.....Qty 2 |
| 7. Winch bracket.....Qty 1 | 18. Head light brackets.....Qty 2 |
| 8. Grille bracket right.....Qty 1 | 19. Adjusting plate 2mm.....Qty 4 |
| 9. Grille bracket left.....Qty 1 | 20. Adjusting plate 3mm.....Qty 4 |
| 10. Support bracket right.....Qty 1 | 21. Recovery points.....Qty 2 |
| 11. Support bracket left.....Qty 1 | 22. LED light cap.....Qty 2 |

PARTS LISTING



A. Screw M6x20 round-head.....	Qty 32	N. Nut M10.....	Qty 10
B. Bolt M10x30.....	Qty 4	O. U-nut M6.....	Qty 10
C. Bolt M10x40.....	Qty 8	P. Countersunk washer.....	Qty 10
D. Screw M10x40 countersunk-head..	Qty 10	Q. Insert nut M10 with cable.....	Qty 2
E. Bolt M12x50.....	Qty 8	R. Insert nut M10 with cable.....	Qty 8
F. Insert bolt M10.....	Qty 2	S. Screw M3x12.....	Qty 4
G. Washer 6.....	Qty 44	T. Nut M3.....	Qty 4
H. Washer 10.....	Qty 22	U. Resistor.....	Qty 2
I. Washer 12.....	Qty 8	V. Blink light.....	Qty 2
J. Spacer 11 mm.....	Qty 2	W. Cable tie.....	Qty 6
K. Spacer 14 mm.....	Qty 2	X. Male connector.....	Qty 4
L. Fixator.....	Qty 2	Y. Corrugated pipe.....	Qty 2
M. Nut M6.....	Qty 12	Z. Heat shrink tube.....	Qty 4

Preparation for installation



Fig.1

1. Open the hood. Disconnect terminal “-” from the vehicle battery (fig.1).



Fig.2

2. Remove the plastic pad clip. Dismantle the clips (fig.2).

*** Set aside for re-use later on.**

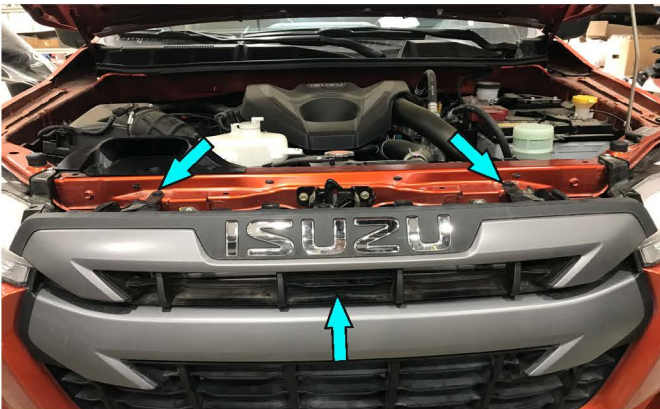


Fig.3

3. Remove upper grill: remove plastic clips, unscrew OE screw (fig.3).

*** Set aside for re-use later on.**



Fig.4

4. Remove OE plastic skid plate on the both sides of the vehicle (one of plastic clips need to be removed from the inside) (fig.4).

***Set plastic clips aside to re-use later on.**



Fig.5

5. Remove side plastic cover (fig.5).



Fig.6

6. Remove plastic clips on the both sides of the vehicle as shown in fig. 6.

***Set aside for re-use later on.**



Fig.7

7. Remove plastic clips and OE screws on the both sides of the vehicles as shown in fig 7.

***Set plastic clips aside to re-use later on.**



Fig.8

8. Unfasten the sides of the bumper on both sides of the vehicle (fig.8).

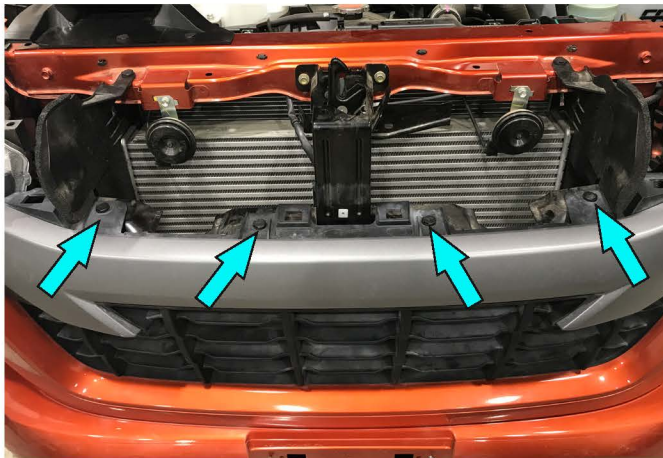


Fig.9

9. Remove plastic clips (fig.9).



Fig.10

10. Disconnect wiring that attach OE bumper and remove OE bumper (fig.10).

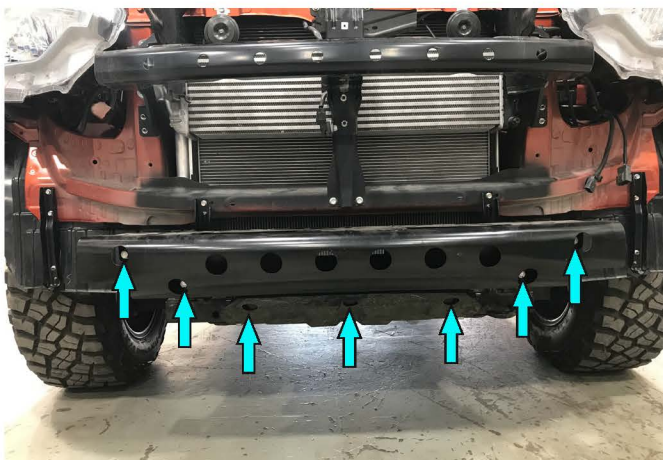


Fig.11

11. Unscrew and remove OE beam (fig.11).

*** Set aside for re-use later on.**



Fig.12

12. Unscrew OE bolts and remove brackets on both sides of the vehicle (fig.12).



Fig.13

13. Remove plastic brackets on both sides of the vehicle (fig.13).

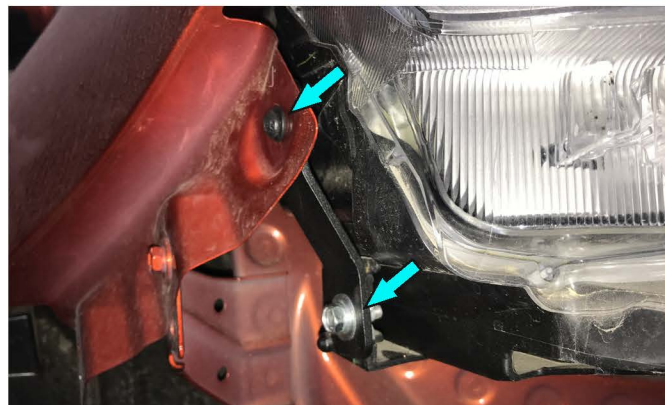


Fig.14

14. Fix head light brackets (item 18) on both sides of the vehicle using OE bolts, screws M6x20 and washers 6 (item A, G) (fig.14).
***Tighten hardware after that.**

Winch bracket installation procedure



Fig.15

15. Install insert bolts M10 (item F) into the vehicle frame on both sides of the vehicle (fig.15).



Fig.16

16. Install fixator (item L) on insert bolts M10 (fig.16).



Fig.17

17. Install insert nut M10 with cable (item R) into the vehicle frame on both sides of the vehicle (fig.17).



Fig.18

18. Fix support brackets (item 10 and 11) to insert bolts M10 (item F) using nuts M10 (item N) and washers 10 (item H) on both sides of the vehicle (fig.18).

*** Do not tighten yet**

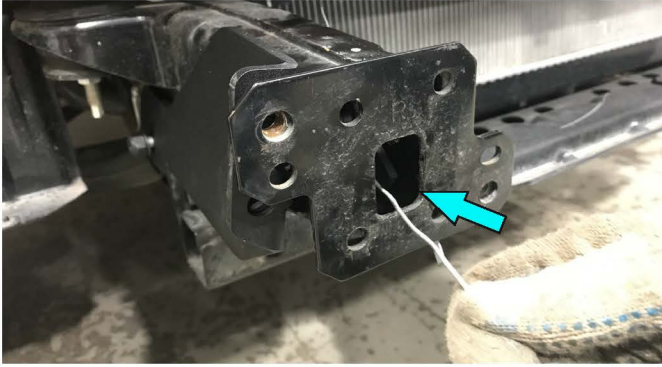


Fig.19

19. Install insert nuts M10 with cable (item Q) into hole of OE frame as shown in fig.19.

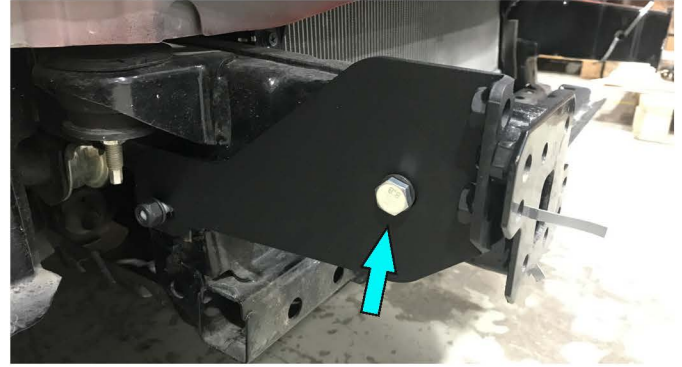


Fig.20

20 Fix support brackets to insert nuts M10 with cable (item Q) using bolts M10x30, washers 10 (item B, H) (fig.20).

***Do not tighten yet.**



Fig.21

21. Install winch bracket (item 7) and fix on OE frame using OE bolts (fig.21).

***Do not tighten yet.**



Fig.22

22. Fix winch bracket (item 7) on preinstalled insert bolt M10 (item R) on both sides of the vehicle using bolts M10x30 and washers 10 (item B, H) (fig.22).

***Do not tighten yet.**

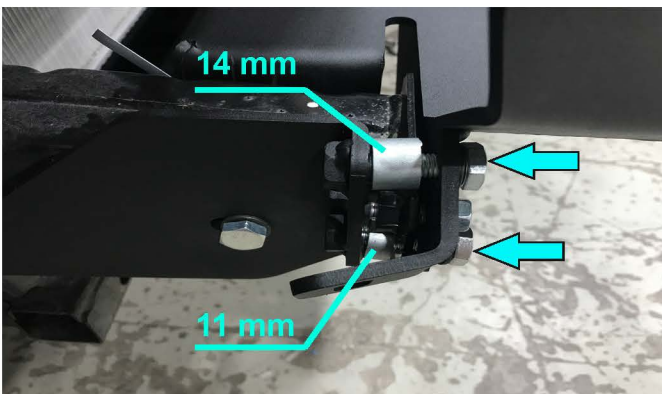


Fig.23

23. Connect support brackets and winch bracket using bolts M10x40, washers 10, spacers 11 mm and 14 mm (item C, H, J, K) (fig.23).

***Tighten hardware from step 23 after that.**



Fig.24

24. In case of gap between OE frame and bracket use adjusting plates (item 19 or 20) as shown in fig.24.

***Tighten hardware after that.**

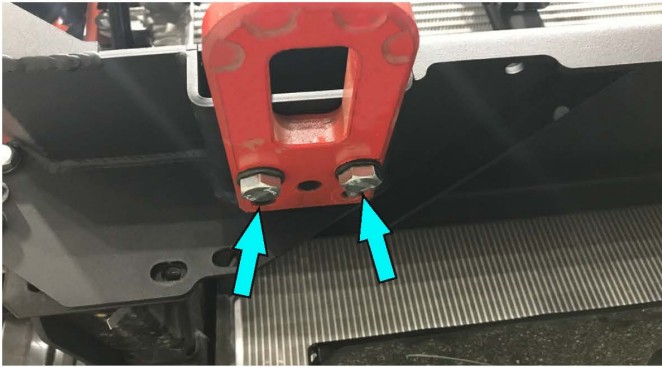


Fig.25

25. Fix tow hooks (item 21) on both sides of the vehicle using bolts M12x50, washers 12 (item E, I) (fig.25).

***Do not tighten yet.**

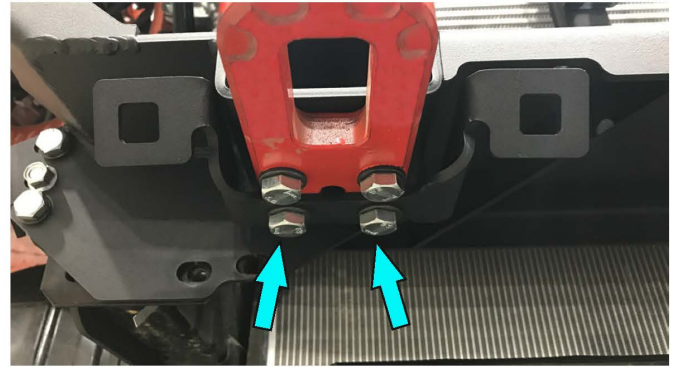


Fig.26

26. Fix front bash plate brackets (item 12, 16) using bolts M12x50, washers 12 (item E, I) (fig.26).

***Tighten hardware after that.**

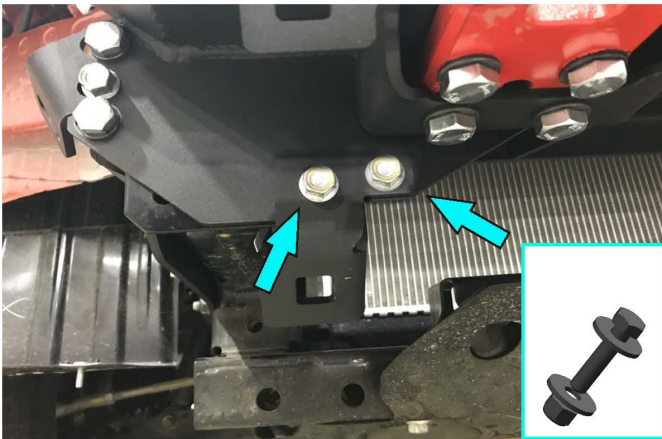


Fig.27

27. Fix rear bash plate brackets (item 13, 15) using OE bolts, bolts M10x40, washers 10, nuts M10 (item C, H, N) (fig.27).

***Tighten hardware after that.**

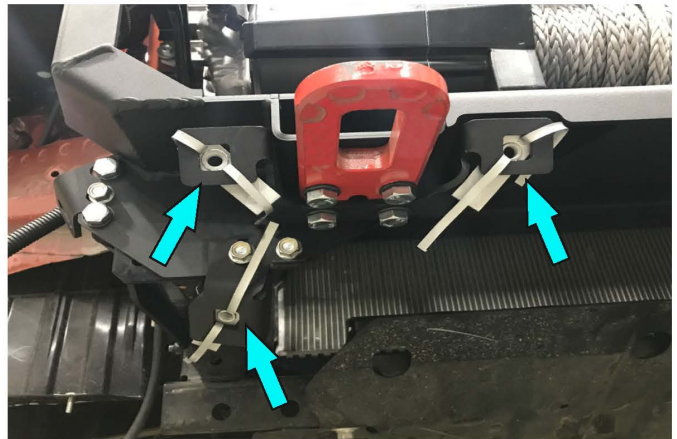


Fig.28

28. Install insert nuts (item R) into holes of bash plate brackets (item 12, 13, 15, 16) (fig.28).



Fig.29

29. Install the winch (fig.29).

Turn signal lights installation procedure

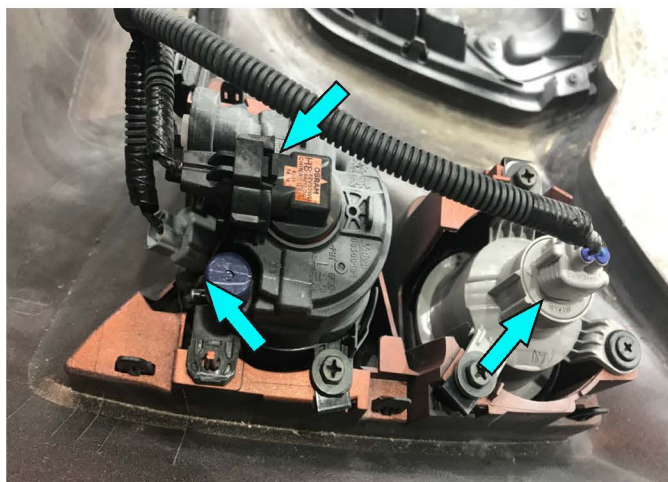


Fig.30

30. Disconnect all electronic connectors on both sides of the vehicle (fig.30).

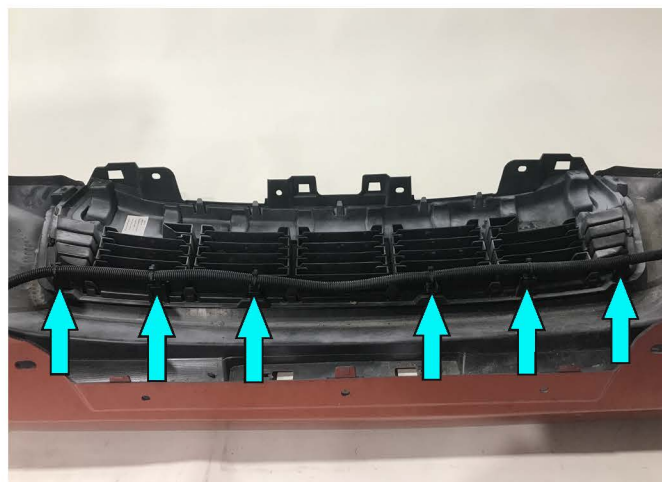


Fig.31

31. Remove OE wires with corrugated pipe on OE bumper (fig.31).

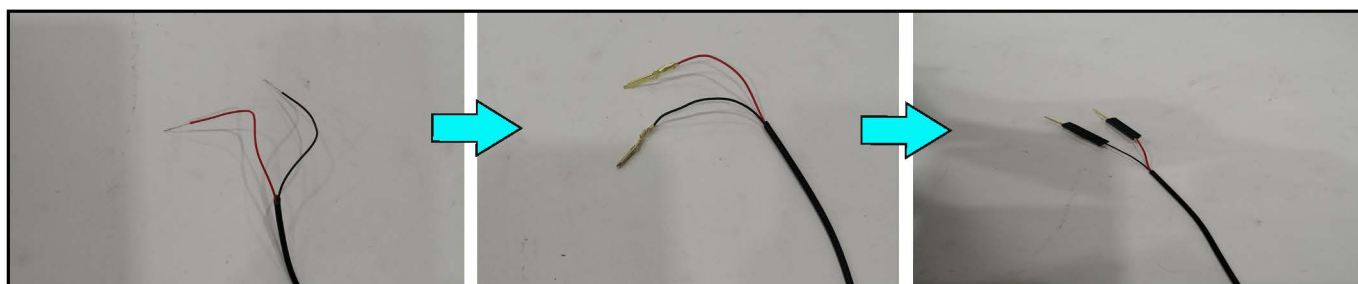


Fig.32

32. Crimp terminals (item X) on blink lights (item V) wiring. Tape wiring using heat shrink tube (item Z), (fig.32).



Fig.33

33. Install blink lights (item V) or any aftermarket blink lights on both sides of the bumper body (item 1), (fig.33).



Fig.34

34. Fix lights using nut, supplied with lights kit, on the inside of the bumper body (fig.34).

INSTALLATION PROCEDURE

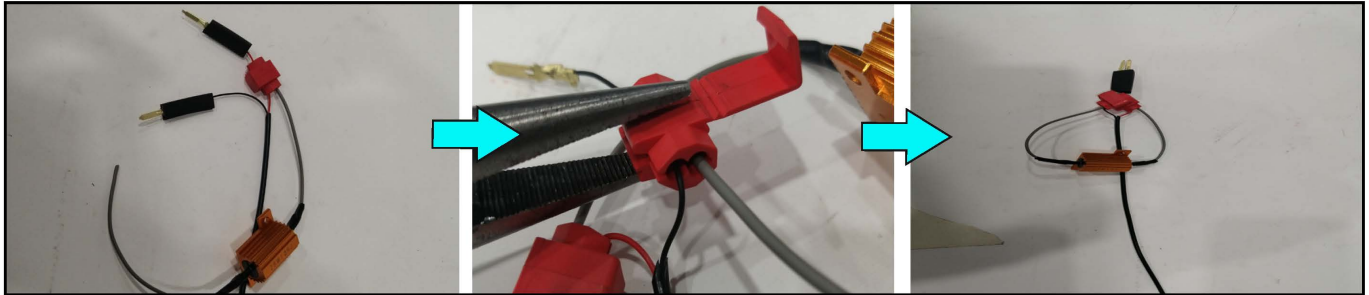
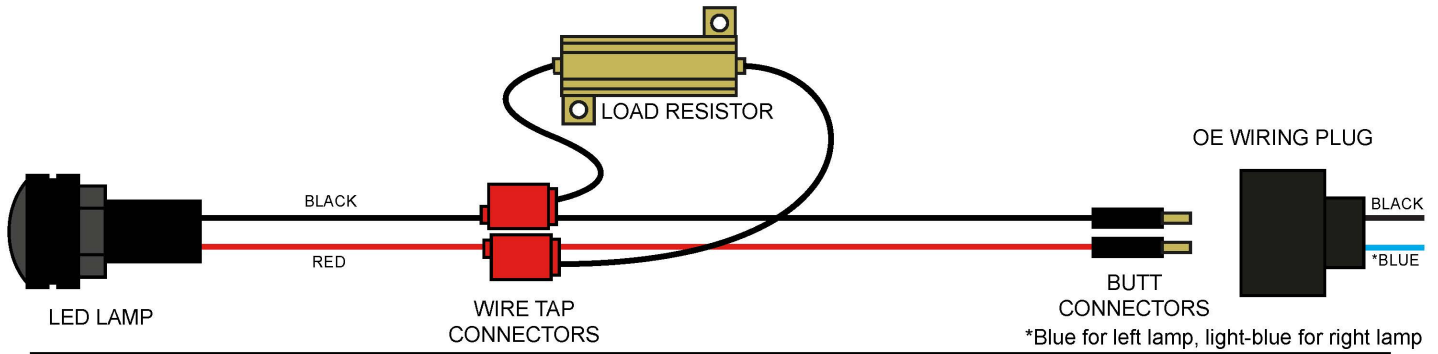


Fig.35

35. Connect resistor (item U) to blink lights (item V) wiring using wire tap connectors supplied with resistor. Resistor connect parallel to blink lights (fig.35).

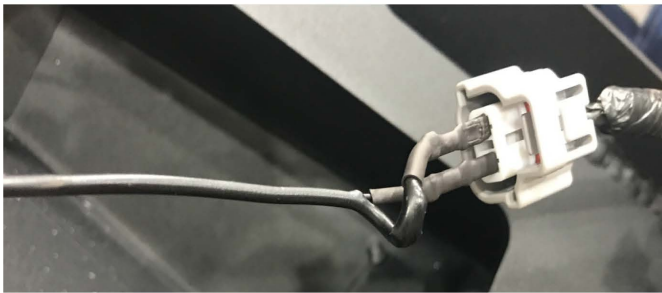


Fig.36

36. Place wiring into corrugated pipe (item Y). Connect terminals to OE lights wiring (fig.36).



Fig.37

37. Fix wiring on the inside of bumper body (item. 1) using cable ties (item W). Fix resistor on the inside of bumper body (item 1) using screws M3 (item S) and nut M3 (item T) (fig.37). Repeat on the other side of the vehicle. **NOTE: Resistor can get hot while operations.**

Bumper body installation procedure

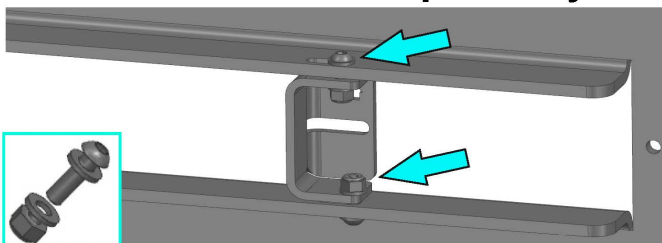


Fig.38

38. Fix grille brackets (item 8, 9) using screws M6x20 (item A), washers 6 (item G), nuts M6 (item M) (fig.38). To install all grilles adjust brackets on the edges. To install only central grille, adjust grille brackets on center.

***Do not tighten that.**

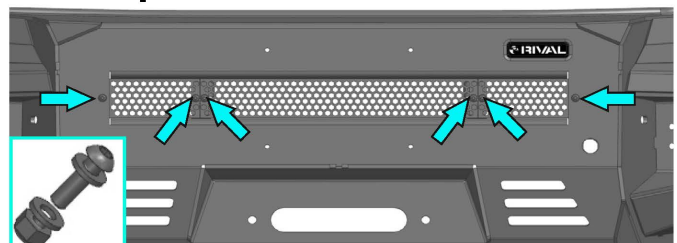


Fig.39

39. Fix grilles (item 7, 8) on grille brackets and aluminum bumper body (item 1) using screws M6x20, nuts M6, washers 6 (item A, G, M) (fig.39, 40)

***Tighten hardware after that.**

INSTALLATION PROCEDURE



Do not use if winch clutch lever on the right side

Do not use in case of lightbar installation

Do not use if winch clutch lever on the left side

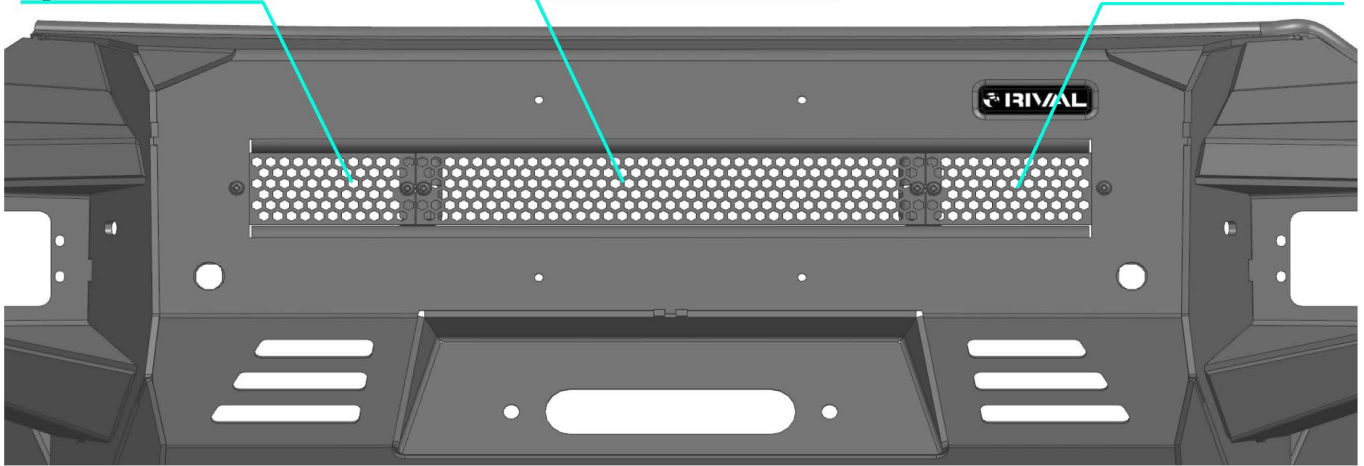


Fig.40

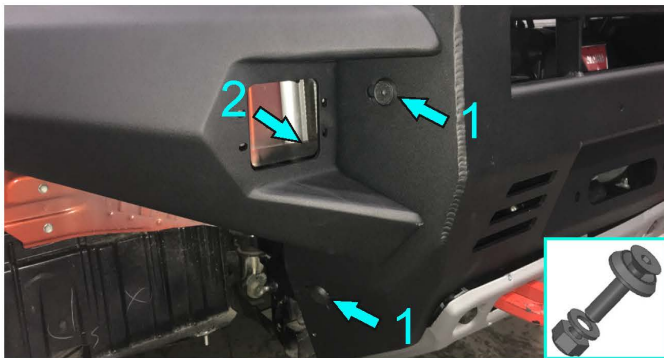


Fig.41

40. Fix aluminum bumper body (item 1) on winch mount bracket (item 7) using:
1 - screws M10x40, countersunk washers 10, washers 10, nuts M10 (item D, P, H, N);
2 – bolts M10x40, washers 10, nuts M10 (item C, H, N) (fig.41). Adjust bumper body on the vehicle. ***Tighten hardware after that.**

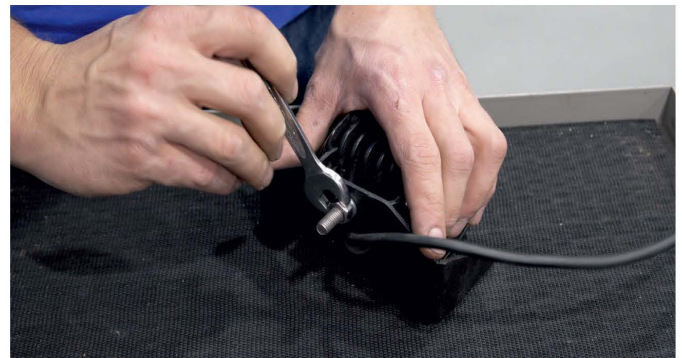


Fig.42

41. Fix your aftermarket LED cubic lights to brackets (item 17). These brackets are not compatible with flush mount LED lights (part number 2D.0041.1, purchased separately) (fig.42).

***Tighten hardware after that.**



Fig.43

42. Install LED lights or LED Light caps (item 22), using screw M6x20, washer 6 (item A, G) and LED brackets (item 17) (fig.43).

***Tighten hardware after that.**

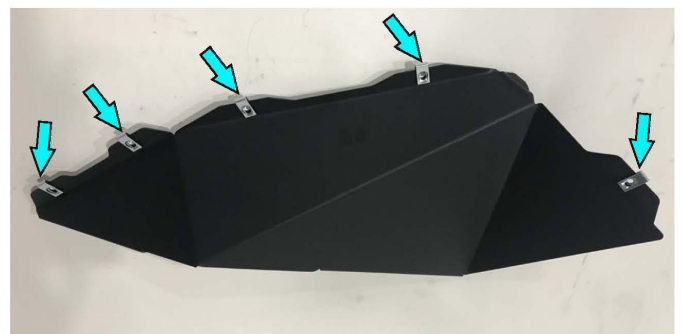


Fig.44

43. Install caged nuts (item. O) onto the flaps (item 2, 3) (fig.44).

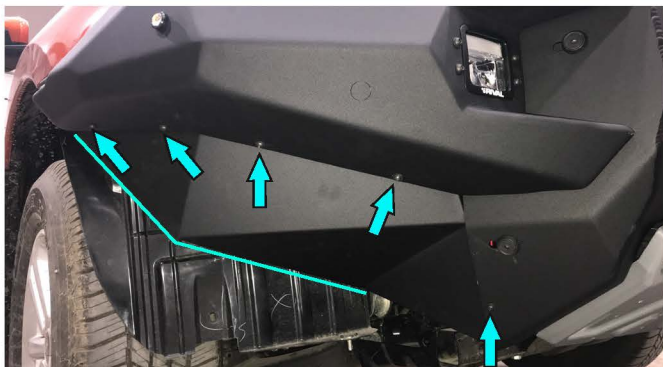


Fig.45

44. Install flaps (item 2, 3) using screw M6x20, washer 6 (item A, G) onto the bumper body on each side. ***Tighten hardware after that.** Push the flap to plastic fender and mark future cutting line. Cut plastic fender following marked cutting line using jig-saw or shears (fig. 45).

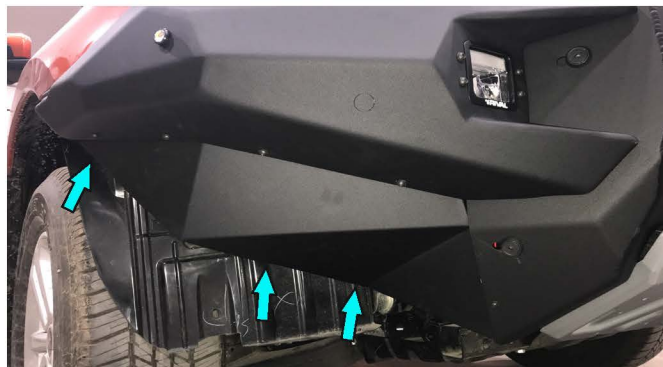


Fig.46

45. Mark and drill 3 holes in plastic fender according with holes in flap on each side of the vehicle. Fix flaps and fenders using OE plastic clips from steps 4, 6, 7 (fig. 46).



Fig.47

46. Install the fairlead on the bumper using its own fasteners, install bash plate (item 14) using screw M10x40 and countersunk washers 10 (item D, P) (fig. 47). ***Tighten hardware after that.**



Fig.48

47. Install license plate bracket (item 4) to bumper body (item 1) using screws M6x20, washers 6, nuts M6 (item A, G, M), (fig. 48). ***Tighten hardware after that.**



Fig.49

48. Fix OE grille on the vehicle using OE plastic clips (fig. 49).



Fig.50

49. Install plastic pad, that was removed on step 2. Connect terminal "-" on the battery (fig.50).

Before operating a vehicle fitted with RIVAL Bumper 2D.9106.1-NL:

- make sure all fittings are tightened
- check winch operation
- check that all electrical wiring is attached to the lights

