

ENGINE SKID PLATE



Material: aluminum / steel

Part number: 2333.4738.1; 2111.4738.1

READ BEFORE INSTALLATION

CAUTION!

To reduce the risk of serious injury or damage to property: before you start installing and using this product, read the full instructions, pay special attention to the conditions of safe use and recommendations for installation! When installing or maintaining this product, it is necessary to use protective goggles. Check the integrity of the installed components and torque all hardware every 250 miles (400 kms). Discontinue use if there is any damage to the structure or fasteners!

NOTICE

Skid plates are supplemental protection. We cannot guarantee protection against all possible damage from impacts. When driving, be careful of objects and terrain that may damage sensitive parts of the vehicle.

SAFETY NOTICE

- The RIVAL skid plate is designed to complement the use and design of the specified vehicle under conditions underlined by the vehicle manufacturer.
- While driving the vehicle at any speed, collision with another vehicle, animal or object must always be avoided.
- Following any collision with another vehicle, animal or object, the RIVAL skid plate and the vehicle must be inspected by a specialized or suitably qualified vehicle technician for possible damage to the components and assemblies in order to confirm suitability for further use of the vehicle.
- It is strongly recommended that you do not operate a vehicle with a damaged skid plate or its components. In the case of damage, please contact the nearest RIVAL dealer. A damaged vehicle or skid plate is extremely dangerous and should be avoided at all cost.
- If applicable, we recommend using a funnel when changing the oil to prevent spills and ensure a clean process.

INSTALLATION NOTICE

- The RIVAL skid plate must be mounted to the vehicle according to this installation manual.
- Personal safety during the installation process must be adhered to at all times.
- Do not install this skid plate on vehicle models other than those listed in this manual.
- We recommend using blue threadlocker on all hardware.
- Estimated time for installation: 1 hour.
- It's good practice to use a tap on all included hardware and bracketry to ensure ease of final assembly.

Required tools

Basic tool kit
Torque wrench

Torque setting

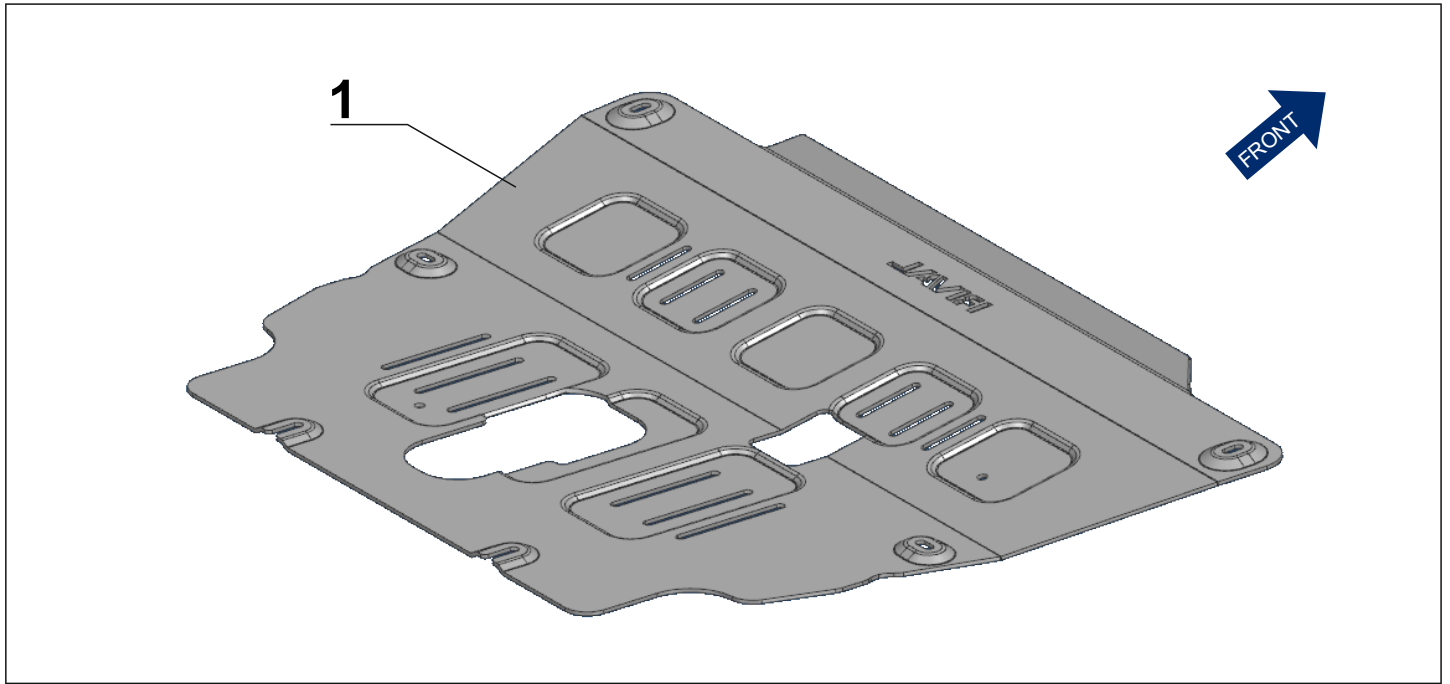
M6 - 9 Nm (6.6 lb/ft)

VEHICLE COMPATIBILITY

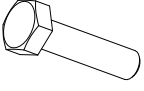
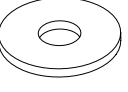

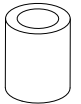


Dacia Duster 1.2L mild hybrid; MT; 4WD; (2023-present)

PARTS LISTING



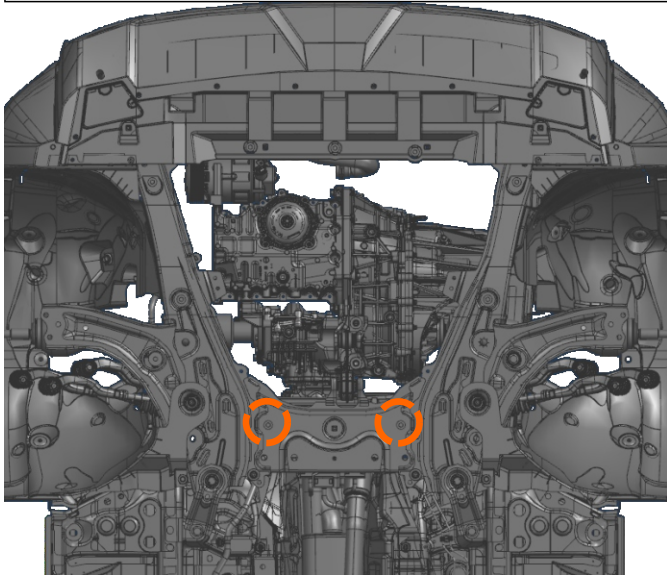
1	Skid plate
---	------------

A		Bolt M6x1x40	6
B		Washer M6	6
C		Washer M8	6
D		Spacer 6mm	2

INSTALLATION PROCEDURE

 ***If equipped, remove factory or any aftermarket skid plates that might interfere with installation.**

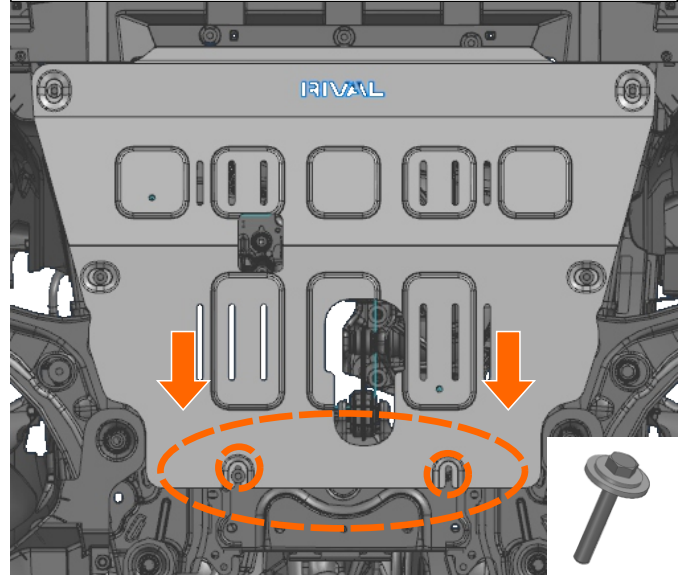
Fig. 1



1. Slightly screw bolts M6x40, washers M6 and washers M8 (items A, B, C) as shown in fig.1.

***Do not tighten yet.**

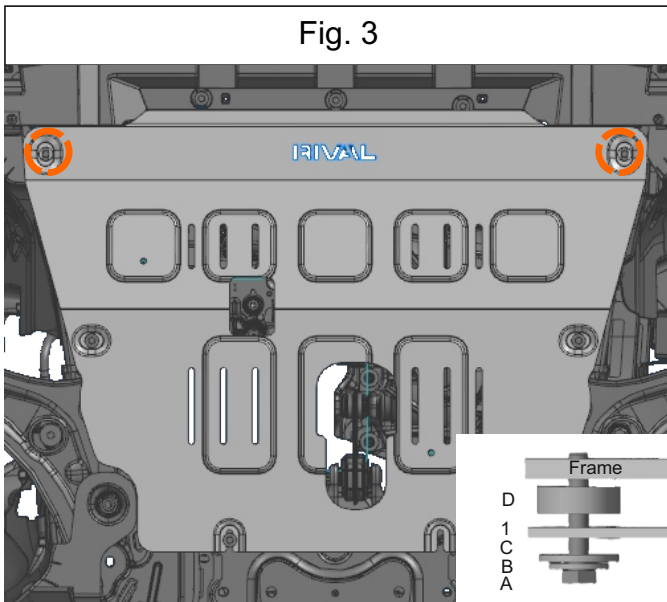
Fig. 2



2. Slide the rear part of the engine skid plate (item 1) as shown in fig.2

***Do not tighten yet.**

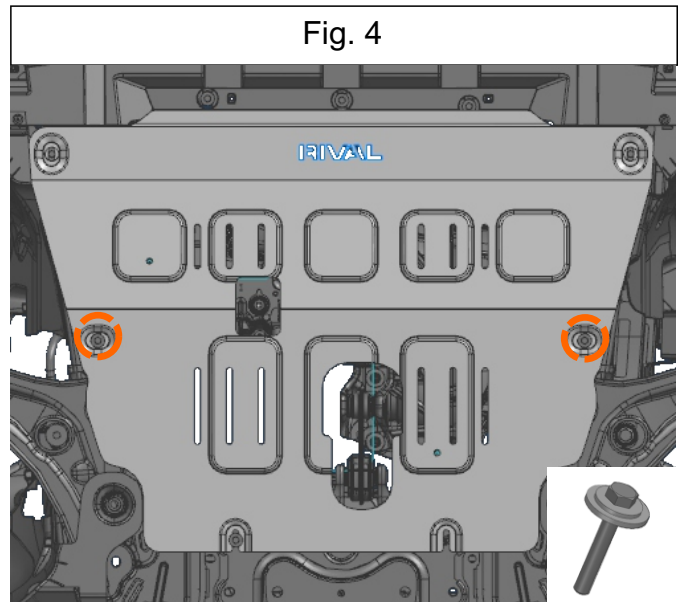
Fig. 3



3. Fix the front part of engine skid plate (item 1) using bolts M6x40, washers M6, washers M8 and spacers 6 mm (items A, B, C, D) as shown in fig.3.

***Do not tighten yet.**

Fig. 4



4. Fix the middle part of engine skid plate (item 1) using bolts M6x40, washers M6 and M8 (items A, B, C) as shown in fig.4

 **Before operating a vehicle fitted with RIVAL skid plates:**

- **Make sure all fittings are properly torqued.**
- **Ensure the integrity of the structure and its components.**