

INSTALLATION MANUAL

PRODUCT: FRONT BUMPER

MODEL: TOYOTA LAND CRUISER 200 (2015-on)

PART NO: 2D.5719.1-NL



CAUTION!

To reduce the risk of serious injury or damage, please read and understand all instructions and procedures before attempting to install or use this product.
Safety glasses must be worn at all times during installation or maintenance of this product.
Ensure all mounting bolts are tensioned after 1000 kms and periodically there after.

NOTICE

Whilst the bumper adds additional protection to your vehicle, precautionary measures still need to be taken to avoid damage.
Always drive to the conditions and your surroundings.

ADR69 COMPATIBLE
AIR BAG COMPLIANT

FRONT BUMPER

Part Number:	2D.5719.1-NL
Suited to vehicle:	Toyota Land Cruiser 200 2015-
Material:	aluminum/steel
Dimensions:	2012x634x536mm
Weight:	51kg
Compatibility:	RIVAL 5713.2 Underbody Armor



SAFETY NOTICE

- * The RIVAL Bumper is designed to compliment the use and design of the specified vehicle under conditions specified by the car manufacturer.
- * While driving the vehicle at any speed, collision with any other vehicle, animal or object must always be avoided.
- * Following any collision with any other vehicle, animal or object, the RIVAL Bumper and the vehicle must be inspected by a specialized or suitably qualified vehicle repairer for possible damage to the components and assemblies in order to confirm suitability for further use of the vehicle.
- * It is strongly recommended that you do not operate a vehicle with a damaged bumper or its components. In the case of damage, please contact the nearest RIVAL dealer.
- * The operation of a vehicle where the bumper is not properly attached and fastened to the vehicle, or where the bumper has been damaged, is extremely dangerous and must be avoided at all cost.
- * It is recommended that you carry out regular inspections of all the bumper elements such as all bolts, wires, connectors.

INSTALLATION NOTICE

- * The RIVAL Bumper must be mounted and affixed to the vehicle according to this installation manual.
- * Personal safety during the installation process must be adhered to at all times and the use of personal safety equipment is highly recommended.

REQUIRED TOOLS

- * Basic tool kit
- * Electric drill
- * Angle grinder
- * Drill set
- * Torque wrench
- * Box knife
- * Marker

TORQUE SETTING

- * M6 9 Nm
- * M10 44 Nm

*ADR69 AND AIR BAG SYSTEM

The RIVAL Bumper has been tested and certified to be compatible with ADR69 and will not affect the operation of the Air bag System on this vehicle.

This product or mounting brackets must not be modified in any way, and must be fitted in accordance with the installation instructions.

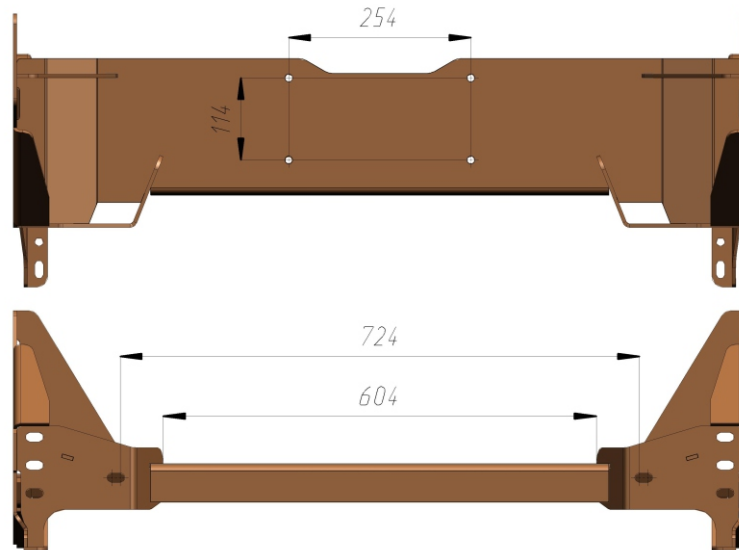
IMPORTANT NOTE

If the FRONT Bumper is to be colour coded it is the installers responsibility to check the fitment and alignment of the Bumper to the vehicle before painting is done. It is the painters responsibility to ensure that the Bumper is correctly prepared and high filled to achieve a quality finish. RIVAL is not liable for any costs associated with colour coding, or fitment issues post colour coding.

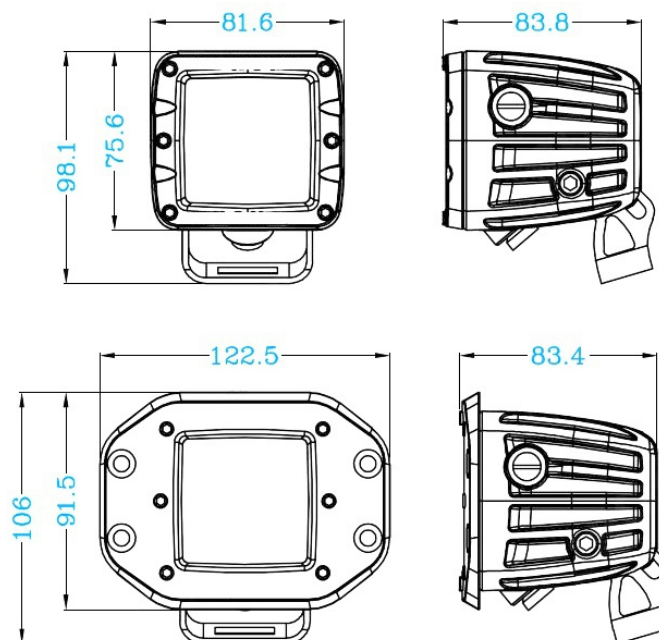
*WINCH INSTALLATION

A winch with a pull capacity of up to 12000 lb can be installed with the RIVAL Bumper. It is not advisable to exceed this pulling capacity since damage, injury or death may occur where the 12000lb recommended capacity is exceeded. There is a special license plate holder supplied with the bumper which will provide access to the winch.

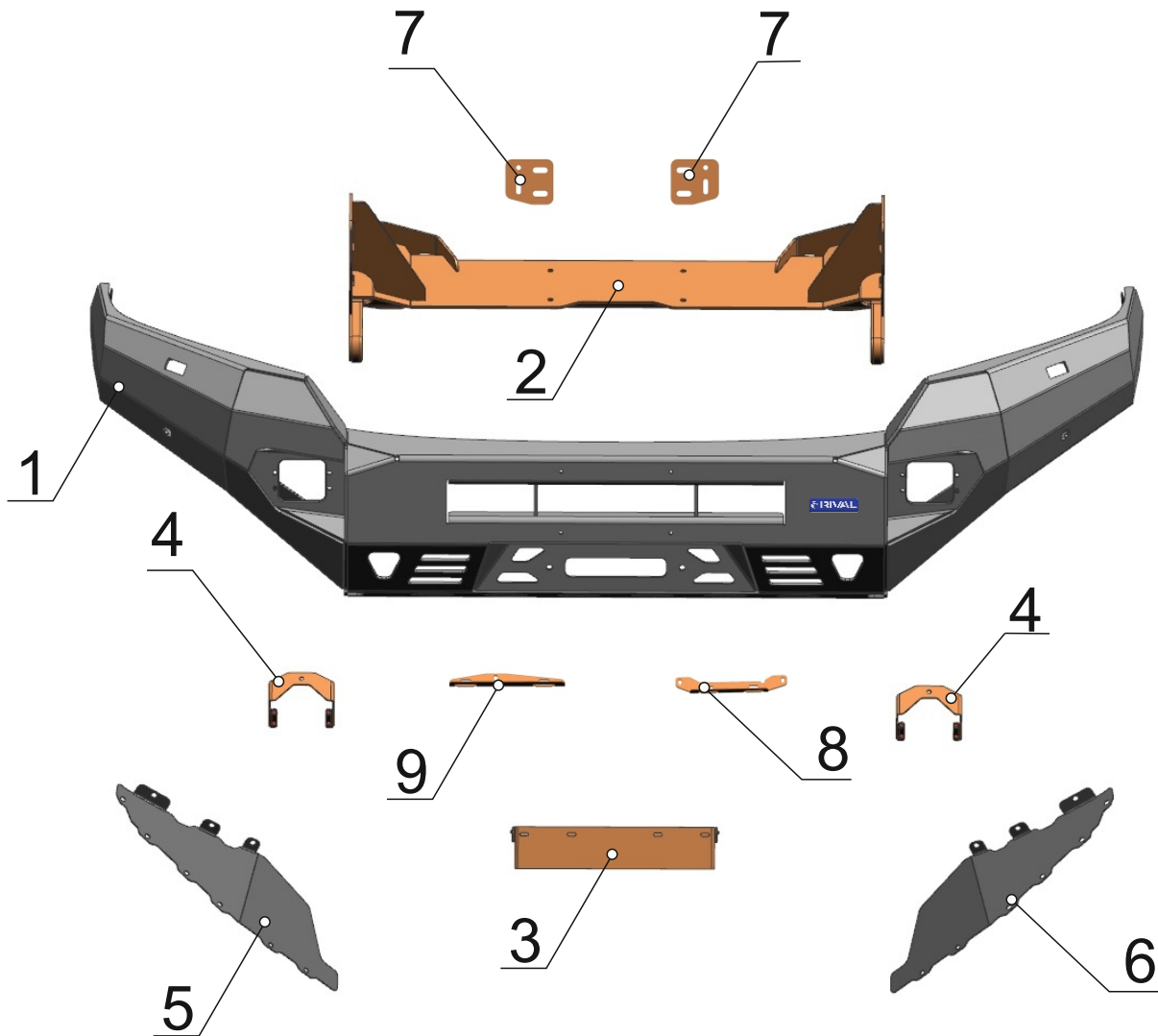
Winch measurements:

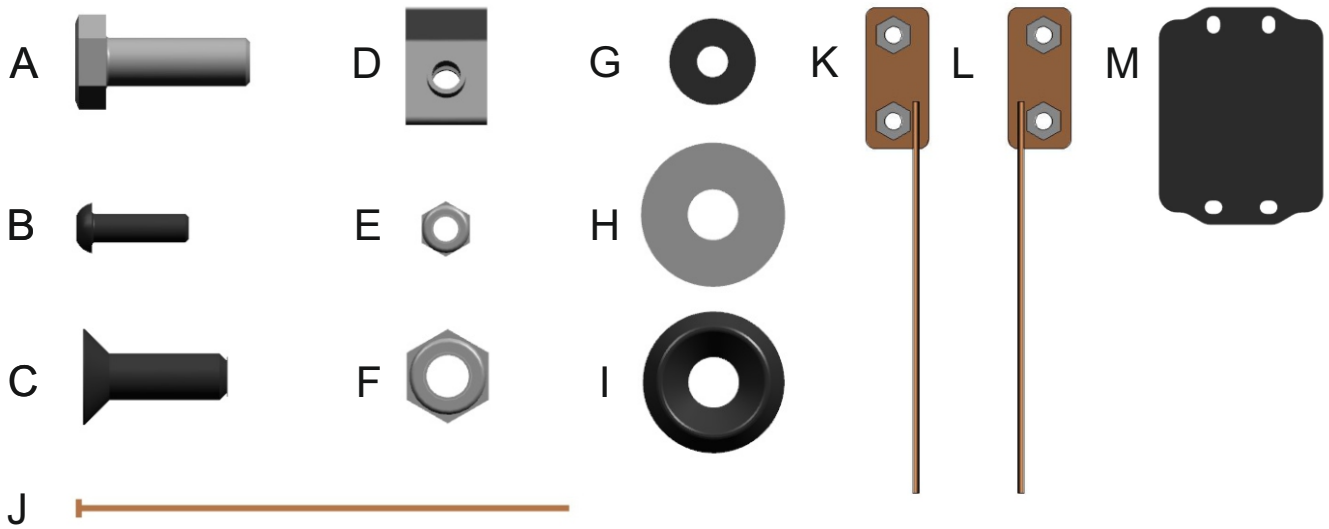


Compatible with LED size below:



- 1. Aluminum bumper body..... 1 pcs.
- 2. Winch bracket..... 1 pcs.
- 3. License plate..... 1 pcs.
- 4. LED brackets (depending on the parts listing) 2 pcs.
- 5. Flap right..... 1 pcs.
- 6. Flap left..... 1 pcs.
- 7. Lower bracket..... 2 pcs.
- 8. Grille bracket left..... 1 pcs.
- 9. Grille bracket right..... 1 pcs.
- 10. LED lamp, distance head (depending on the parts listing)..... 2 pcs.





A. Bolt M10x30.....	12 pcs.
B. Screw M6x20 round-head.....	31 pcs.
C. Screw M10x30 countersunk-head.....	4 pcs.
D. U-nut M6.....	18 pcs.
E. Nut M6.....	5 pcs.
F. Nut M10.....	12 pcs.
G. Washer penny 6.....	24 pcs.
H. Washer penny 10.....	24 pcs.
I. Countersunk washer.....	4 pcs.
J. Plastic clamp.....	10 pcs.
K. Captive nut left.....	1 pcs.
L. Captive nut right.....	1 pcs.
M. Lamp plug.....	2 pcs.



1. Open the hood and disconnect terminal “-” from the vehicle battery.

2. Remove the plastic pad clip. Dismantle the clip.

*** Set aside for re-use later on.**



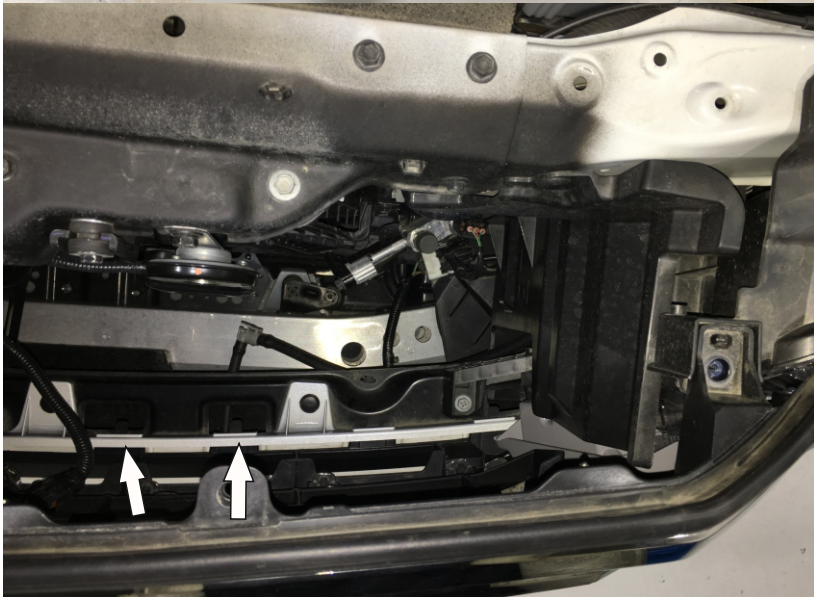
3. Remove LED plastic covers.



4. Remove grill connectors.



5. Remove upper grille retaining screws.



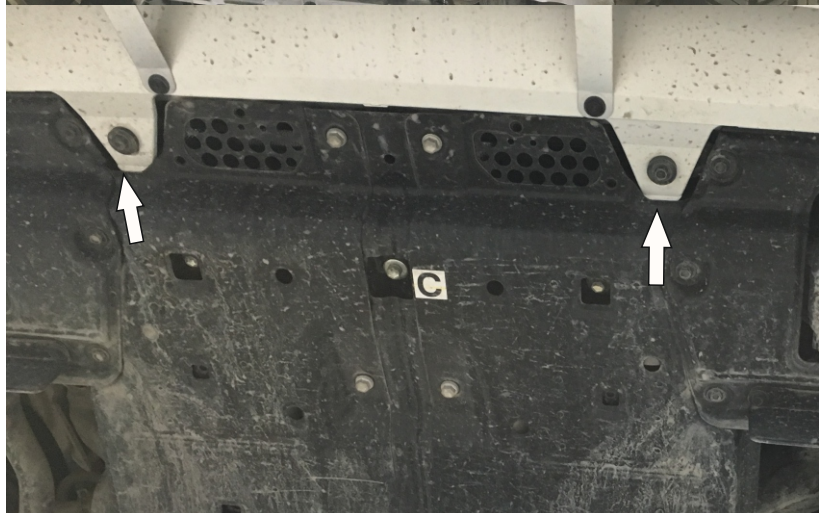
6. Remove grille from bumper by carefully releasing locking tabs whilst removing.



7. Remove 3 screws retaining bumper along inside edge of wheel arches on each side of the vehicle.



8. Remove lower bumper retaining screws.



9. Remove 2 bumper retaining screws out of middle part of the bumper.



10. Unscrew 2 screws on the sides of the bumper.



11. Remove all clips, holding bumper with body, under the grill.



12. Disconnect all the cables from the bumper and washer hose, clamp off the washer hose before, to prevent leak of liquid.



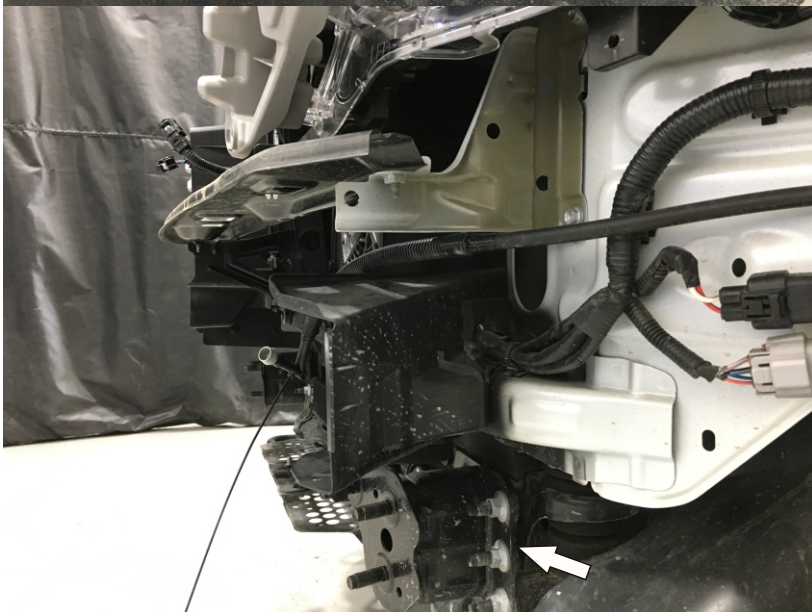
13. Carefully remove bumper from vehicle by pulling on each side of the bumper near the wheel arches.



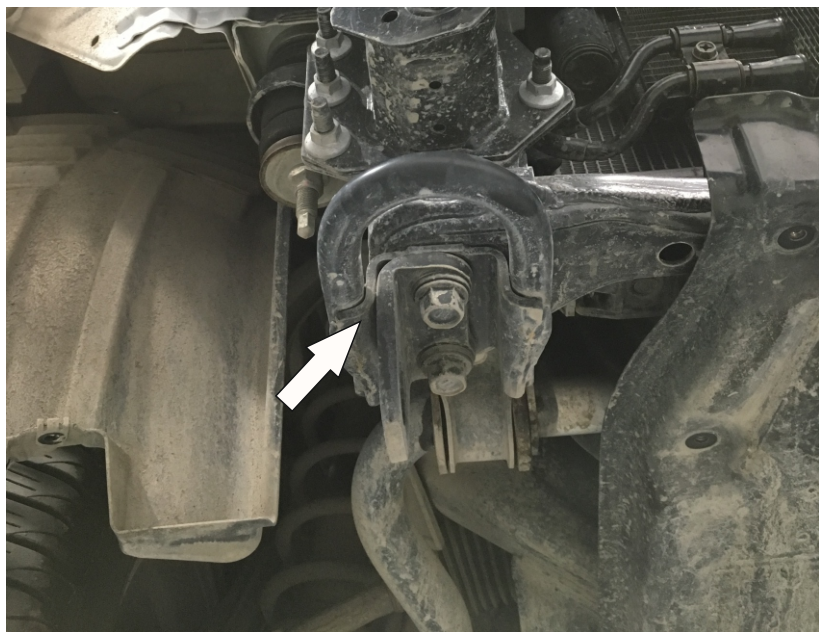
14. Remove damper.



15. Unscrew 3 screws on each side and remove beam.



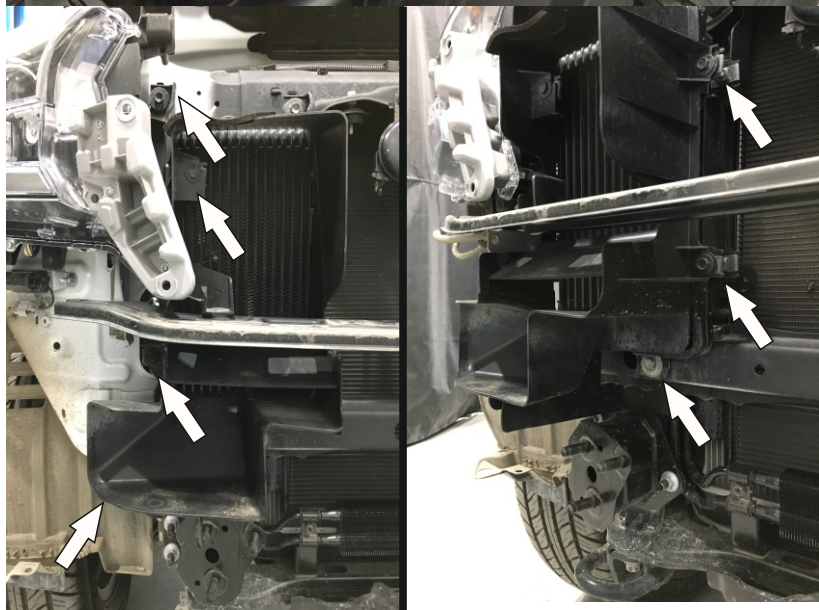
16. Unscrew 4 nuts on each side of the beam brackets and remove them.



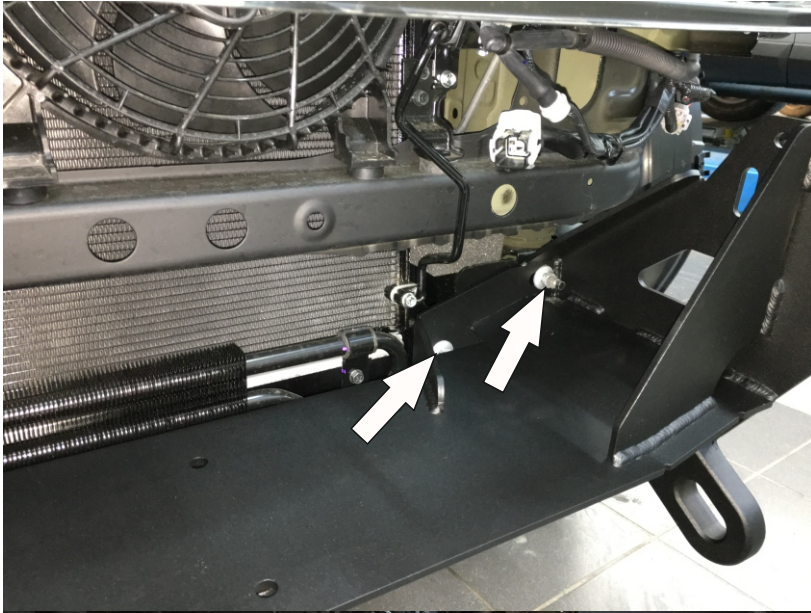
17. Unscrew 2 bolts and remove towing eye on each side.



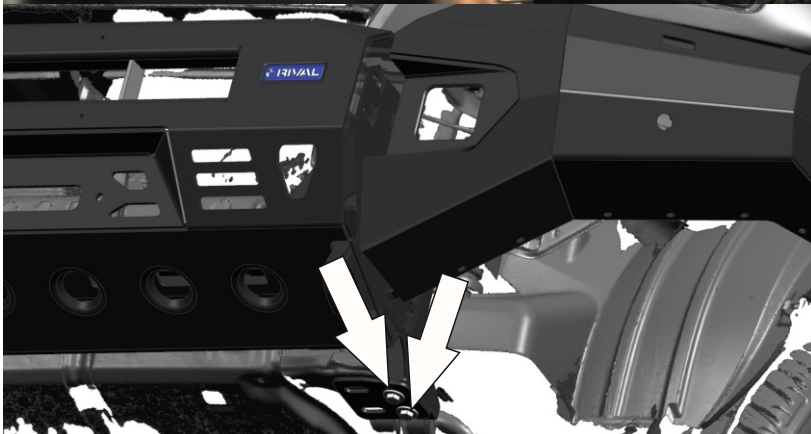
18. Unscrew 2 screws and remove plastic side fittings on each side.



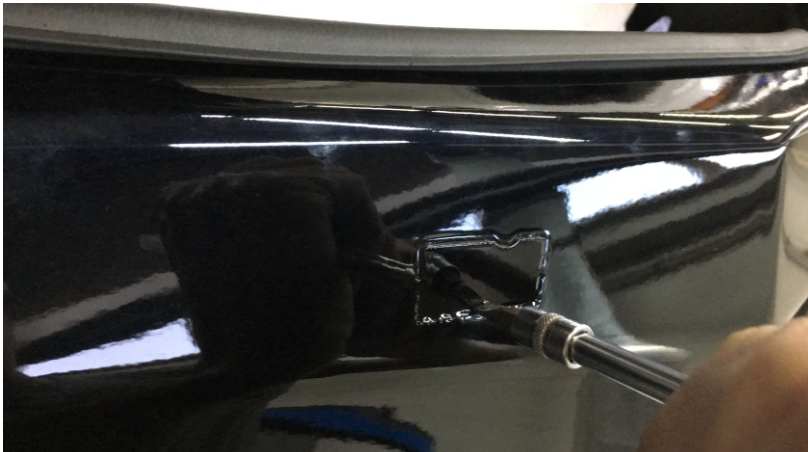
19. Unscrew fitting screws of the deflector and remove it.



20. Mount winch bracket (2). Use OE nuts.



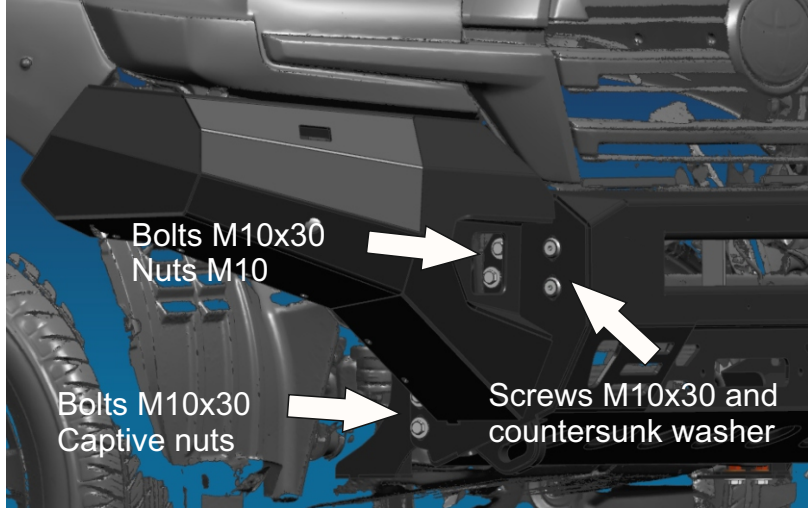
21. Install lower brackets (7) on each side. Fix brackets using OE bolts of towing eyes to winch bracket using bolts M10x30 (A), nuts M10 (F) and washers 10 (H). Tighten all screw joints.



22. Install LED washers if needed. Strike out plugs from bumper facing (1) and fix LED washers.



23. Install parking sensors if needed. Strike out plugs from bumper facing (1), fix parking sensors and connect wires.

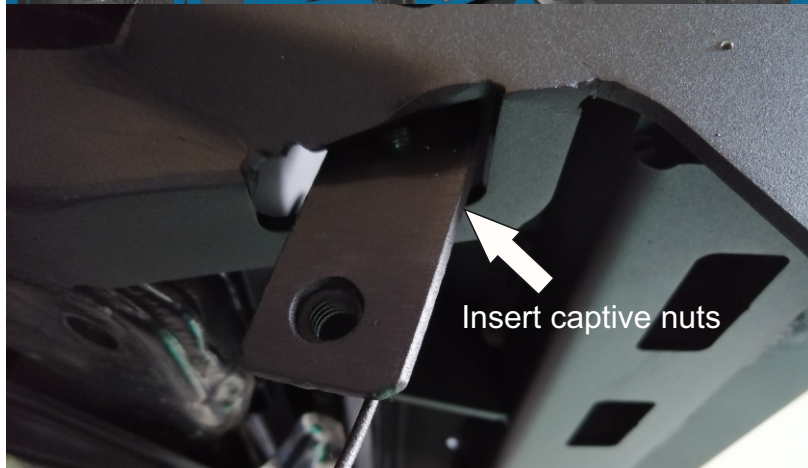


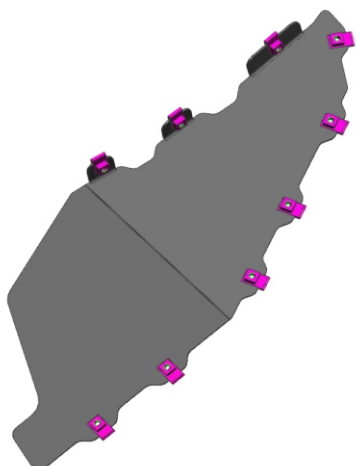
24. Install bumper body (1) onto the winch bracket (2). Fix it using 8 bolts M10x30 (A), 4 screws M10x30 (C), 4 countersunk washer (I), 4 nuts M10 (F), captive nuts (K, L) and washers 10 (H).

* Do not tighten yet

Adjust bumper to reach an equal gap to the vehicle body on both sides. The gap between the splashboard and facing shall be at least 15-22mm.

Tighten bolts after that.





25. Instal caged nuts (D) onto the flaps (5, 6).



26. Install flaps (5, 6) using screws M6x20 (B) onto the bumper facing (1) on each side.



27. Push flap to plastic fender and mark cutting line. Cut plastic fender following the marked cutting line using jig-saw or shears.



28. Mark and drill 3 holes in plastic fender in accordance with holes in flap (5, 6) on each side of the vehicle. Fix flaps (5, 6) and fenders using screws M6x20 (B).



29. Instal left (8) and right grille brackets (9) on the grille.



30. Mount radiator grill and fix it using OE fittings in the upper part and screws M6x20 (B) in the lower part.



31. Install LED plastic covers in reverse order.



32. Connect all the connections and check it.
Install plastic pad in reverse order.
Connect terminal “-” of the battery.

Before operating a vehicle fitted with a RIVAL Bumper:

- make sure all fittings are tightened
- check all electrical wiring attached to lights

