

*For more info about compatibility with other models
please see the sticker on the skid plate

VOLKSWAGEN MULTIVAN

No.: 5806.1/6 Engine & gearbox

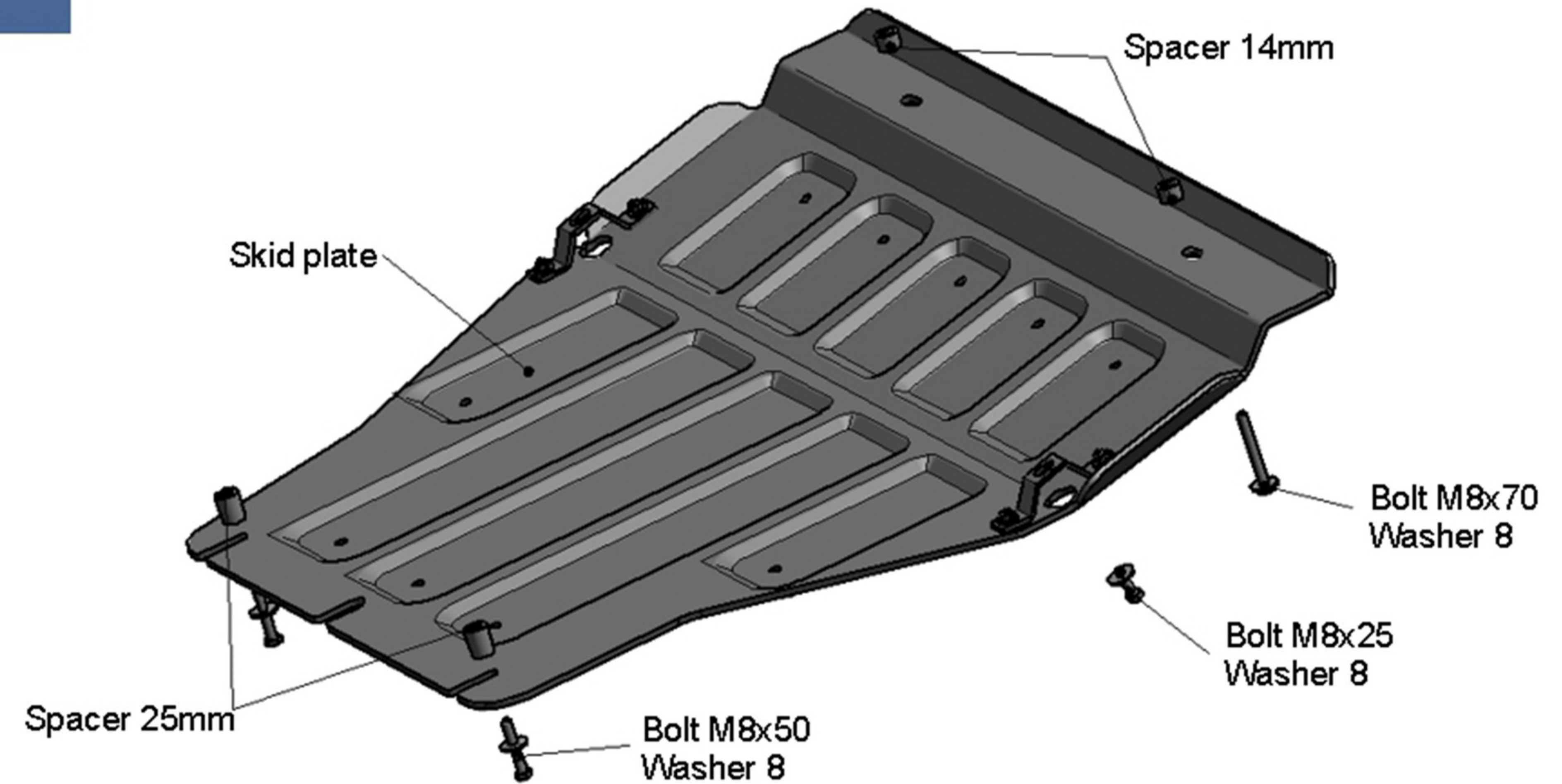
Year: 2003-

Engine: All

Transmission: All

FITTING KIT

1. Bolt M8x25.....	2 pc
2. Bolt M8x50.....	2 pc
3. Bolt M8x70.....	2 pc
4. Washer 8.....	6 pc
5. Spacer 14mm.....	2 pc
6. Spacer 25mm.....	2 pc



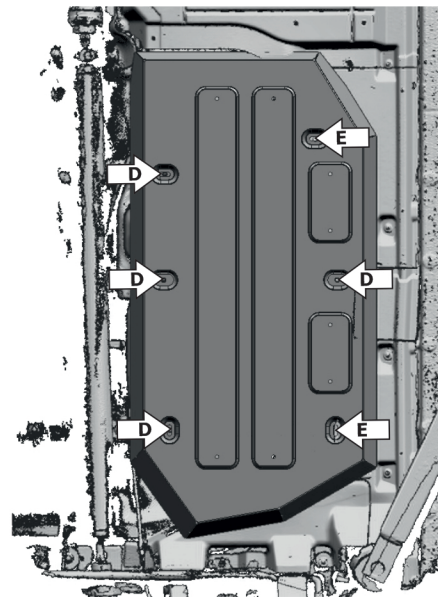
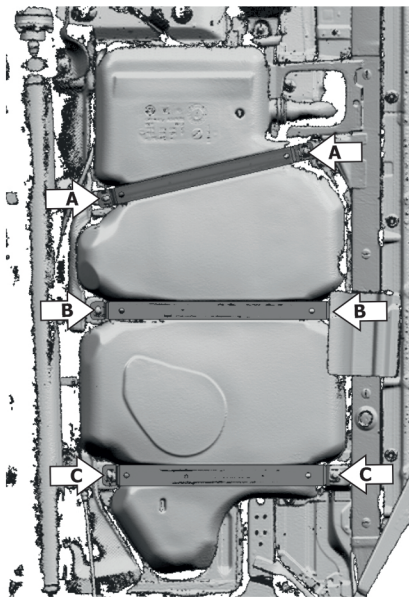
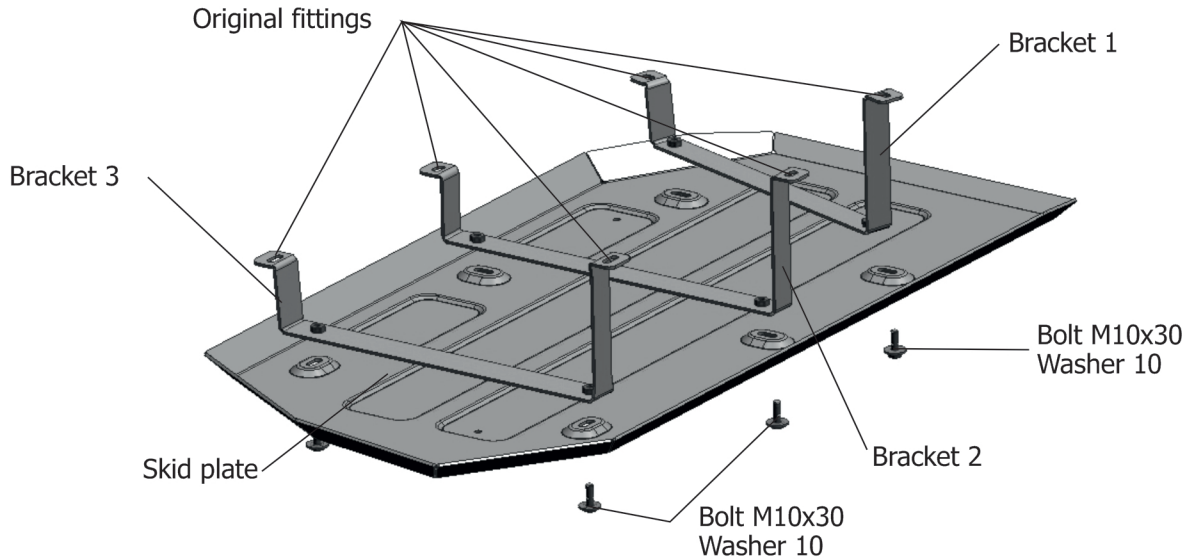
INSTALLATION INSTRUCTIONS

1. Skid plate is installed over factory plastic guard.
2. Screw two original bolts out of rear end of factory plastic guard, then screw bolt M8x50 to these points with spacers 25mm.
3. Screw four bolts out of front end of factory guard.
4. Place rear end of skid plate on mounted bolts M8x50, then fix its middle part with bolts M8x25, then fix its front end with bolts M8x70 with spacers 14mm.
5. Tighten all screws (50 Nm for M10, 30 Nm for M8, 10 Nm for M6). Do not use pneumatic or power tools to tighten.



WWW.RIVAL4X4.COM

CAR BRAND	MODEL	YEAR	ENGINE	TRANSMISSION	DRIVE GEAR
Volkswagen	Multivan	2010-2015; 2015-2019; 2019-	2.0 TDI; 2.0 TSI	MT; AT	ALL
Volkswagen	Caravelle	2010-2015; 2015-2019; 2019-	2.0 TDI; 2.0 TSI	MT; AT	ALL
Volkswagen	Transporter	2010-2015; 2015-2019; 2019-	2.0 TDI; 2.0 TSI	MT; AT	ALL



Installation manual:

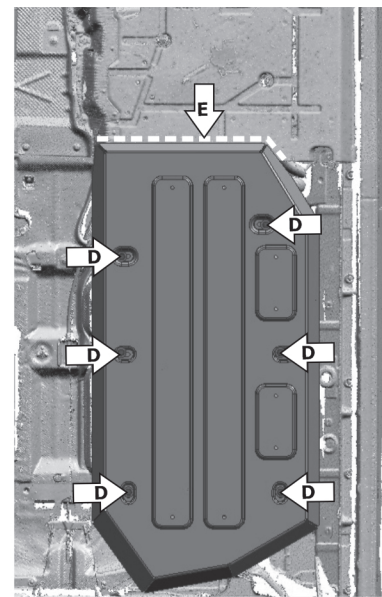
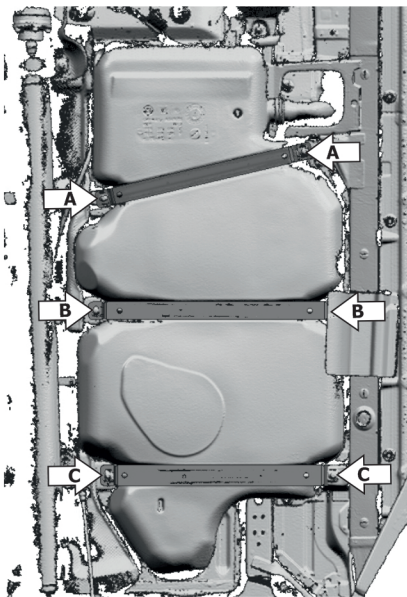
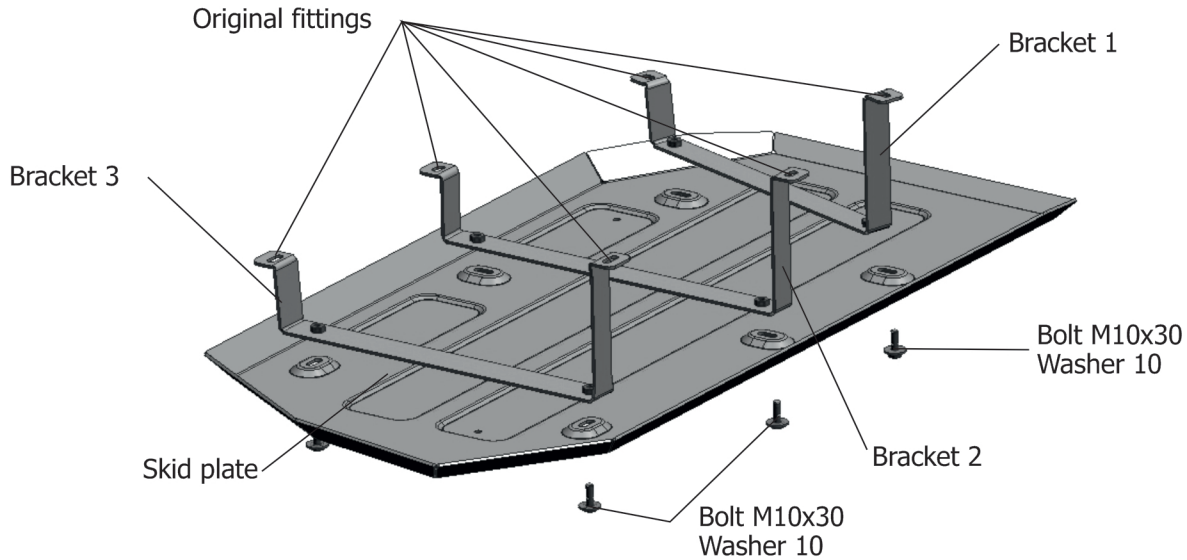
Installation procedure for T5; T6 (except T6.1):

1. Remove original guards.
2. Mount brackets 1, 2, 3 over the original brackets of fuel tank.
3. Remove original front bracket from fuel tank, then fix it with bracket 1 to original threaded apertures with original fittings (A).
4. Remove middle front bracket from fuel tank, then fix it with bracket 2 to original threaded apertures with original fittings (B).
5. Screw out left fitting of original rear bracket, then fix it with left part of bracket 3 to original threaded apertures with original fittings. Fix right part of bracket 3 to original threaded apertures with original fittings (C).
6. Mount original plastic guards. Mark and drill apertures in plastic guard for mounting skid plate to brackets 1 and 3 (E).
7. Fix skid plate to mounted brackets with bolts M10x30 and washer 10 (D) и (E).
8. Tighten all screws (47 Nm for M10, 30 Nm for M8, 10 Nm for M6). Do not use pneumatic or power tools to tighten.

Parts listing:

Name	Qty	Torque setting
Bolt M10x30	6 Qty	47.0 Nm
Washer 10	6 Qty	
Skid plate	1 Qty	
Bracket 1	1 Qty	
Bracket 2	1 Qty	
Bracket 3	1 Qty	

CAR BRAND	MODEL	YEAR	ENGINE	TRANSMISSION	DRIVE GEAR
Volkswagen	Multivan	2010-2015; 2015-2019; 2019-	2.0 TDI; 2.0 TSI	MT; AT	ALL
Volkswagen	Caravelle	2010-2015; 2015-2019; 2019-	2.0 TDI; 2.0 TSI	MT; AT	ALL
Volkswagen	Transporter	2010-2015; 2015-2019; 2019-	2.0 TDI; 2.0 TSI	MT; AT	ALL



Installation manual:

Installation procedure for T6.1 2019-

1. Remove original guards.
2. Mount brackets 1, 2, 3 over the original brackets of fuel tank.
3. Remove original front bracket from fuel tank, then fix it with bracket 1 to original threaded apertures with original fittings (A).
4. Remove middle front bracket from fuel tank, then fix it with bracket 2 to original threaded apertures with original fittings (B).
5. Screw out left fitting of original rear bracket, then fix it with left part of bracket 3 to original threaded apertures with original fittings.
6. Separate original guards.
7. Install front separated original guard. Do not use part of original guard that cover fuel tank.
8. Install skid plate and align installation holes (D).
9. Mark cutting line on front part of original guard (E).
10. Remove skid plate and front part of original guard and cut it using marked line (E).
11. Install and fix front part of original guard that you cut.
12. Fix skid plate to mounted brackets with bolts M10x30 and washer 10 (D).
13. Tighten all screws (47 Nm for M10, 30 Nm for M8, 10 Nm for M6). Do not use pneumatic or power tools to tighten.

Parts listing:

Name	Qty	Torque setting
Bolt M10x30	6 Qty	47.0 Nm
Washer 10	6 Qty	
Skid plate	1 Qty	
Bracket 1	1 Qty	
Bracket 2	1 Qty	
Bracket 3	1 Qty	

VW MULTIVAN T5 / T6

No.: 5845.1/6 Differential

Year: 2003-2010; 2010-2015; 2015-

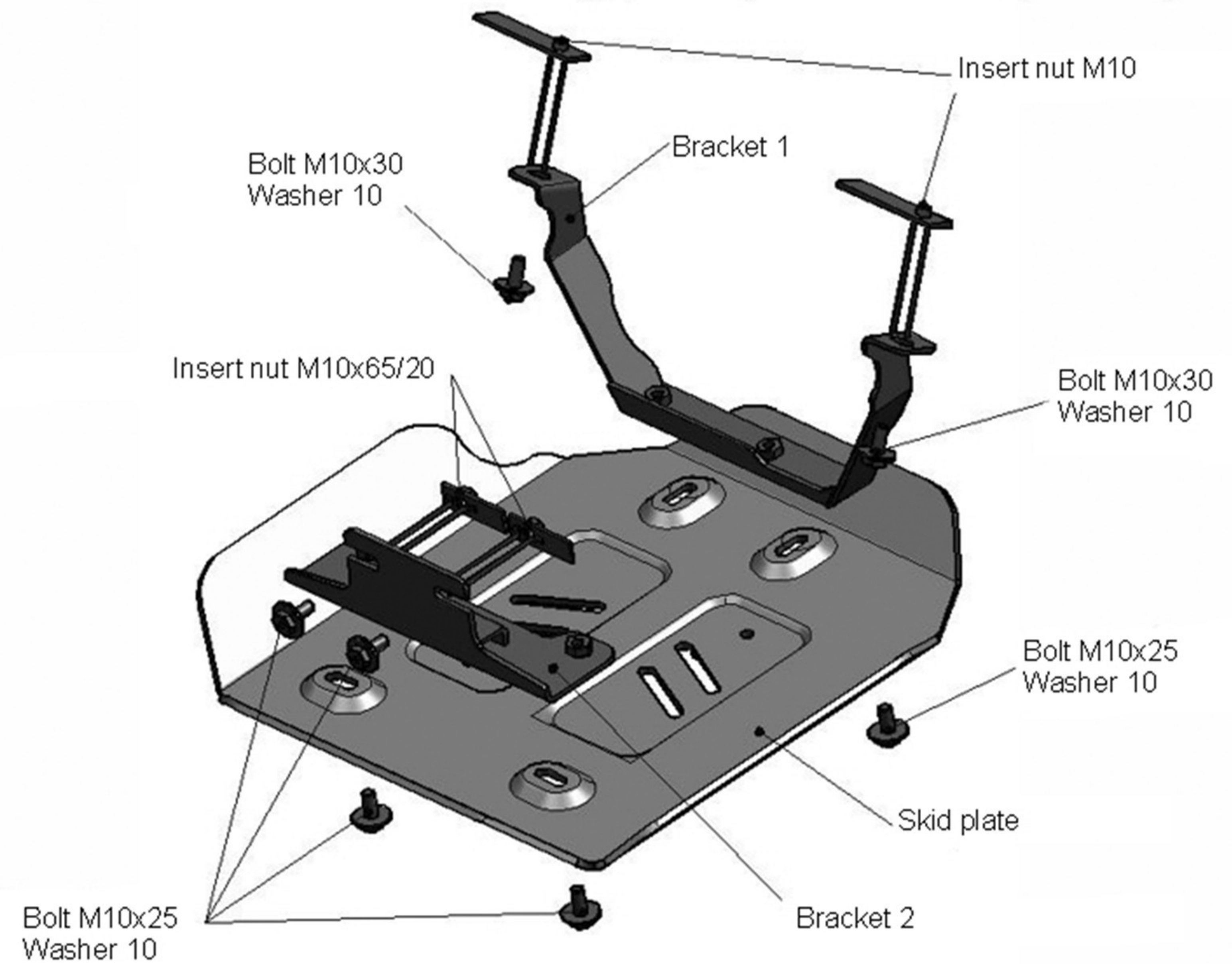
Engine: 2.0 TDI

Transmission: AT

FITTING KIT

1. Bolt M10x25.....	8 pc
2. Washer 10.....	8 pc
3. Insert nut M10x65/20.....	2 pc
4. Insert nut M10.....	2 pc
5. Bracket 1.....	1 pc
6. Bracket 2.....	1 pc

*For more info about compatibility with other models please see the sticker on the skid plate



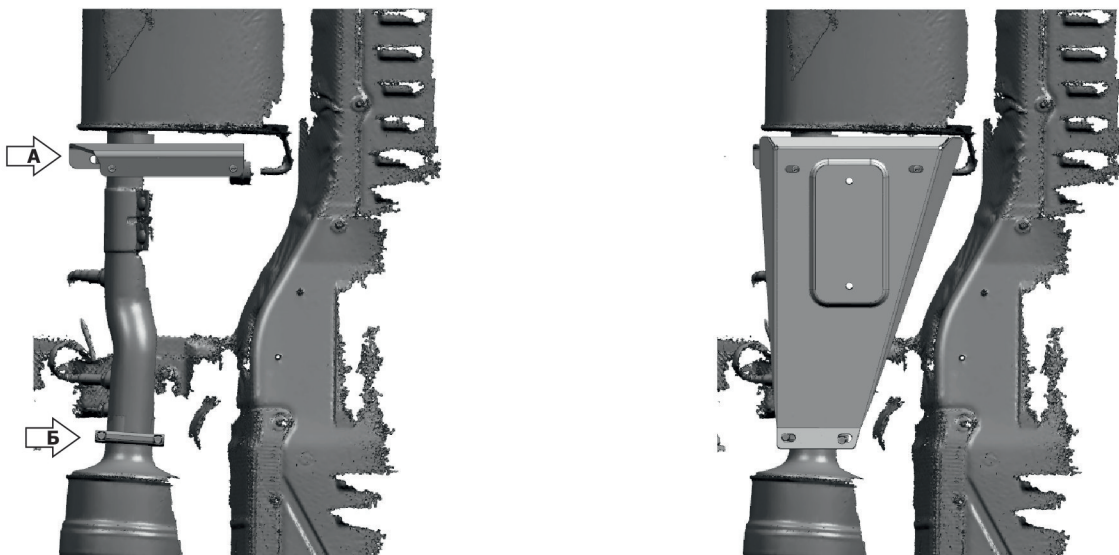
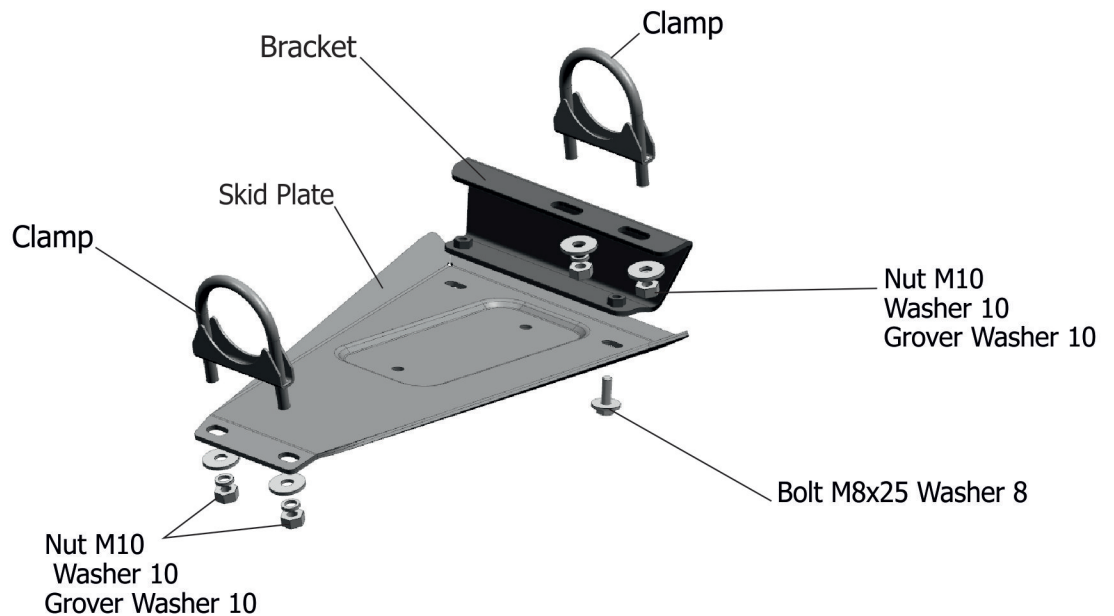
INSTALLATION INSTRUCTIONS

1. Place insert nuts M10 over apertures in body of the vehicle near front end of differential, then fix bracket 1 to them with bolts M10x25.
2. Place insert nuts M10x65/20 into apertures of differential underframe, then fix brackets 2 to them with bolts M10x25.
3. Fix differential skid plate to mounted brackets with bolts M10x25.
4. Tighten all screws (50 Nm for M10, 30 Nm for M8, 10 Nm for M6). Do not use pneumatic or power tools to tighten.



WWW.RIVAL4X4.COM

Brand	Model	Year	Engine	Gearbox	Drive
Volkswagen	Caravelle	2015-	ALL	Manual, Auto	FWD;AWD
Volkswagen	Multivan	2015-	ALL	Manual, Auto	FWD;AWD
Volkswagen	Transporter T6	2015-	ALL	Manual, Auto	FWD;AWD



Installation manual:

1. Mount clamp on muffler and fix bracket using nuts M10(A).
2. Mount clamp(B)
3. Mount skid plate: front part mount on bracket using bolts M8x25, rear part mount on clamp using nutsM10.
4. Tighten all screws with required torque

Content:

Name	QTY	Torque
Bolt M8X25	2 pcs.	24.0 Nm
Nut M10	4 pcs.	
Washer M8	2 pcs.	
Washer M10	4 pcs.	
Grover washer M10	4 pcs.	
Skid plate	1 pc.	
Bracket	1 pc.	
Clamp	2 pcs.	